

Fluid Control, Pressure and Temperature Monitoring and Control

# Core Industrial Products

for Distributors and Wholesalers

# Easy

selection of future  
proof products.





### Selection Made Easy

With only a few clicks, Danfoss product selectors can help you to find the product you need.



### Troubleshooting

Find information about how to use, maintain and troubleshoot our products



### Core Industrial Products

See our catalogue with standard core industrial products for wholesalers and distributors.



### Product Catalogue

See our complete product portfolio in the product catalogue.



### Danfoss Learning

Danfoss Learning is your online access point to knowledge.



### Documentation

Find data sheets and available products here.

# contents

## Fluid controls

Solenoid valves. Thermostatic valves. Externally operated valves

Pages 8-71

## Pressure transmitters

Pages 72-110

## Temperature sensors

Pages 111-129

## Switches

Pressure switches. Temperature switches

Pages 130-173

<b>Content</b>	<b>page</b>
EV310A direct-operated 3/2-way compact solenoid valves .....	16
EV210A direct-operated 2/2-way compact solenoid valves .....	18
EV220A servo-operated 2/2-way solenoid valves .....	20
EV310B direct-operated 3/2-way solenoid valves .....	24
EV210B direct-operated 2/2-way solenoid valves .....	27
EV220B 6-22 servo-operated 2/2-way solenoid valves .....	32
EV220B 15-50 servo-operated 2/2-way solenoid valves .....	37
EV220B 65-100 servo-operated 2/2-way solenoid valves .....	44
EV250B assisted lift 2/2-way solenoid valves .....	48
EV224B servo-operated 2/2-way solenoid valves for high pressure air .....	52
EV225B servo-operated 2/2-way solenoid valves for steam .....	55
EV260B servo-operated 2-way proportional solenoid valves .....	59
AVTA thermostatic valves for industrial cooling applications .....	63
AV210 externally operated valves .....	69
MBS 3000 compact pressure transmitter .....	78
MBS 3050 compact pressure transmitters with pulse snubber .....	80
MBS 3200 compact pressure transmitters .....	82
MBS 3250 compact pressure transmitters with pulse-snubber .....	84
MBS 3100 compact pressure transmitter .....	86
MBS 3150 compact pressure transmitter with pulse-snubber .....	89
MBS 1900, OEM pressure transmitter for compressed air and water pump applications .....	91
MBS 1200/1250 OEM pressure transmitters for use in severe hydraulic applications .....	93
MBS 1300/1350 OEM electronic pressure switch with dual output for severe hydraulic applications .....	95
MBS 5100 pressure transmitter .....	97



MBS 5150 pressure transmitters with pulse-snubber .....	100
MBS 4510 flush diaphragm pressure transmitter .....	103
MBS 9200 Low pressure transmitter .....	105
MBS 9300 Low pressure transmitter .....	107
EMP 2 pressure transmitters .....	109
MBT 3250 temperature sensor .....	115
MBT 3270 temperature sensors .....	117
MBT 3560 temperature sensors with built-in transmitter .....	118
MBT 153 cable-type temperature sensors .....	120
MBT 5250 temperature sensor .....	122
MBT 5252 temperature sensors .....	124
MBT 5113 Temperature sensor .....	126
MBT 5116 Temperature sensors .....	128
RT pressure switches .....	137
BCP pressure controller / pressure limiter .....	142
KPS heavy-duty pressure switches .....	144
CAS heavy-duty pressure switches .....	146
KPI pressure switches for light industry .....	149
KP pressure switches for light industry .....	151
CS pressure switches for air and water .....	155
MBC 5100 block-type compact pressure switches .....	157
MBV 5000 pressure test valve .....	159
RT temperature switches .....	162
KPS temperature switches .....	165
KP temperature switches .....	168
MBC 8100 block-type compact temperature switches for marine applications .....	172

# Danfoss Industrial Automation core products

## Fluid controls

Solenoid valves: Direct, servo, assisted lift and proportional operated valves for water, air, oil and steam application. Differential pressure from 0 to 40 bar and connections from G 1/8 to G 2" flange. Thermostatic valves for cooling applications, and solar systems. Regulation ranges from 0 to 90 °C and connections from G 3/8 to G 1" flange.

Externally operated valves for demanding industrial applications. Differential pressure from 0 to 16 bar and connections from G 3/8 to G 2".

Direct operated valve  
for closed and drain  
systems



Assisted lift operated  
valve for closed and  
drain systems



Servo operated valve  
for open systems



Valve for steam  
applications



Thermostatic valve



Externally operated  
valve for demanding  
applications



## Pressure transmitters

Pressure transmitters for industrial and marine applications. Design in cartridge, block and box with measuring range up to 600 bar. Output signal: 4 – 20 mA, 0 – 10 V, ratiometric etc. with an accuracy from 0,1% FS. Versions with marine and ATEX approvals.

Pressure transmitter in  
cartridge design  
for industrial applications



Pressure transmitter with flush  
diaphragm for demanding  
industrial applications



Pressure transmitter in  
block design for industrial  
and marine applications



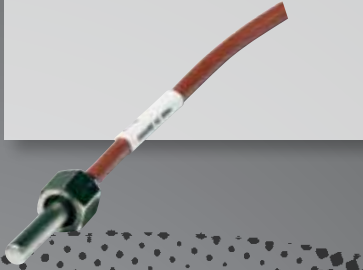
Pressure transmitter in  
box design for marine  
applications



# Temperature sensors

Temperature transmitters for industrial and marine applications with measuring range from -50 to 800 °C. Sensor type Pt100, Pt1000, PTC, NTC, integrated transmitter etc in different designs for example DIN 43650, DIN B, cable etc. Versions with marine and ATEX approvals.

Temperature transmitter in a cable version



Flexible temperature transmitter with different sensing elements and electrical connections



Temperature transmitter equipped with a DIN 43650 for industrial applications



Temperature transmitter equipped with a DIN B (B-head) for industrial and marine applications



# Switches

Pressure and temperature switches (on-off) for industrial and marine applications from -60 °to 300 °C or -1 to 400 bar. Degree of enclosure: IP30 – IP67 in different designs, versions with marine, TÜV and ATEX approvals.

Pressure switch for industrial applications (enclosure degree from IP30 to IP55)



Pressure switch for boiler control



Temperature switch for industrial applications (enclosure degree from IP54 to IP66)



Pressure switch for industrial and marine applications in block design



Temperature switch for marine applications (enclosure degree IP67)



# The main industries for these products are

Marine

Mobile hydraulics

Air compressors

Wind turbines

Industrial hydraulics

Heating equipment

Industrial water





# Fluid control

With Danfoss valves you gain high quality, balanced with cost efficiency, making them the first choice in a many industrial applications.

Our valves are virtually maintenance free and designed to provide reliable service, year after year.

## Three ways of efficiently controlling fluids:

**Solenoid valves** are an easy way to control and regulate fluids and gasses. Our programme consists of direct-operated, servo-operated and assisted lift versions. Solenoid valves are the right choice when you have media with limited dirt content and small to high flow volume.

Our solenoid valve programme consists of two ranges:

- The compact A range
  - offering small physical dimensions for control of flow where space is limited.
- The high performance B range
  - a sturdy and universal broad programme for control of flow in industrial applications and within heating and sanitary systems.

**Externally operated valves** are designed for specialised and demanding applications. These robust valves are the right choice for media with high dirt content, high viscosity, high ambient and media temperatures and large flow volumes. They are also suitable for humid environments, explosion hazard environments and for applications with low or unknown pressure conditions.

**Thermostatic self-acting valves** are a simple and reliable way to control the temperature of cooling equipment. They do not require electricity and they are insensitive to dirt and media pressure, making them a highly robust choice.



## Example: Heating systems



An EV250B solenoid valve, a great all-round valve, is the preferred choice for many manufacturers in applications with low differential pressures, such as heating systems. Its design not only allows for a wide pressure range, it also reduces noise and increases the lifetime of the system through water hammer dampening.

### Other applications

- Water booster pumps
- Membrane filtration units
- Fire-fighting pumping stations and equipment
- Biomass boilers
- Irrigation system
- Ultra and high purity water
- Catering water
- Desalination of saline water
- Water leak protection
- Car wash
- Dentist equipment
- Wind turbines
- Steam boilers
- Steam generators
- Laundry system
- Burners
- Cleaning units
- Dishwashing
- Degassing system
- Sterilizers and autoclaves
- Lubricated screw compressors
- Oil free compressors
- Drainage
- Pool control
- Solar
- Showers
- Saunas
- Sprinklers
- Petrol dispensers
- Heavy duty application

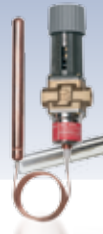
# Fluid controls

in this catalogue



Type	EV310A 3/2-way	EV210A 2/2-way	EV220A 2/2-way	EV310B 3/2-way	EV210B 2/2-way	EV220B 6-22 2/2-way	
Media	Water						
	Air and neutral gasses						
	Oil						
	Steam						
Characteristics	Dirty media				<input checked="" type="checkbox"/>	<input checked="" type="checkbox"/>	
	Long lifetime				<input checked="" type="checkbox"/>	<input checked="" type="checkbox"/>	
	Soft closing (Low waterhammer)			<input checked="" type="checkbox"/>		<input checked="" type="checkbox"/>	
	System suitability						
	Connection	G 1/8 – G 1/4, flange 32 mm	G 1/8 – G 1/4, flange 32 mm	G 1/4 – G 2	G 1/8 – G 3/8, flange 32 mm	G 1/8 – G 1	G 1/4 – G 1
	Function	NC or NO	NC or NO	NC or NO	NC or NO	NC or NO	NC or NO
	Orifice size mm	1.2 – 2	1.2 – 3.5	6 – 50	1.5 – 3.5	1.5 – 25	6 – 22
	Pressure range, bar	0 – 20	0 – 30	0.2 – 16	0 – 20	0 – 30	0.1 – 30
	Medium temperature max.	100 °C	120 °C	100 °C	100 °C	140 °C	100 °C
	Kv value m <sup>3</sup> /h	0.04 – 0.08	0.04 – 0.26	1 – 32	0.08 – 0.4	0.08 – 8	0.7 – 6
Special features	Manual override option			Manual override option	Isolating diaphragm		
Approvals*	WRAS		WRAS	GL	GL, WRAS and DNV		
Material	Valve body	Brass or stainless steel	Brass or stainless steel	Brass	Brass or stainless steel	Brass or stainless steel	
	Internal	Stainless steel	Stainless steel	Stainless steel	Stainless steel	Stainless steel	
	Seal material	FKM	EPDM or FKM	EPDM, NBR or FKM	FKM	EPDM or FKM	EPDM or FKM

\* Only EPDM versions in Normally Closed (NC) valves are WRAS approved. GL = Germanischer Lloyd. WRAS = Water Regulations Advisory Scheme. VA = Water supply and drainage of ETA Denmark.

EV220B 15-50  
2/2-wayEV220B 65-100  
2/2-wayEV250B  
2/2-wayEV224B  
2/2-wayEV225B  
2/2-wayEV260B 2-way  
proportionalAVTA 2-way  
proportionalBVTS 2-way  
proportional

AV210

Back-burning  
and overheat  
protection

Closed and drain

Open

Closed and drain

Open

Open

Open

Closed

Closed, drain and  
open

G 1/2 – G 2

Flange connections:  
2,5, 3 and 4"

G 3/8 – G 1

G 1/2 – G 1

G 1/4 – G 1

G 1/4 – G 3/4

G 3/8 – G 1

G 3/4

G 3/8 – G 2

NC or NO

NC

NC or NO

NC or NO

NC

NC

Thermostatic

Thermostatic

NC or NO

15 – 50

65 – 100

10 – 22

15 – 25

6 – 25

6 – 20

10 – 25

18

15 – 50

0.3 – 16

0.25 – 10

0 – 10

0.3 – 40

0.2 – 10

0.5 – 10

0 – 10

0 – 10

0 – 16

140 °C

90 °C

140 °C

60 °C

185 °C

80 °C

130 °C

110 °C

180 °C

4 – 40

50 – 130

2.5 – 7

4 – 11

0.9 – 6

0.8 – 5

1.4 – 5.5

2.6

4.5 – 74

High  
pressure

IP65

Test function

Options: Manual  
override position  
indicator

GL, WRAS and DNV

WRAS

GL

TÜV

Brass, DZR Brass  
or stainless steel

Cast iron

DZR Brass

Brass

DZR Brass

Brass

Brass or  
stainless steel

DZR brass

Gun metal  
or stainless steel

Stainless steel

Stainless steel

Stainless steel

Stainless steel

Stainless steel

Stainless steel

Brass or  
stainless steel

Stainless steel

Stainless steel

EPDM, FKM or NBR

EPDM or NBR

EPDM or FKM

NBR

PTFE and AFLAS

FKM and PTFE

EPDM or NBR

EPDM or NBR

PTFE

DNV = Det Norske Veritas. SVGW = Schweizerischer Verein des Gas- und Wasserfaches.



# Media list for Danfoss In

Medium	Temperature/ Concentration		Material	
			Brass	DZR-brass Bronze RG5
Ammonia			-	-
Brine (Potassium formate; without oxygen, closed systems)	-20 °C		✓	✓✓
Butane	20 °C		✓✓	✓✓
Chloric acid HCl			-	-
Citric acid			-	-
CO2			✓✓	✓✓
Compressed air			✓✓	✓✓
De-ionized water	80 °C		-	✓✓
Fresh Water	100 °C		✓✓	✓✓
Glycol	80 °C	100 %	✓	✓✓
Methane	20 °C		✓✓	✓✓
NaOH	50 °C	40 %	-	✓
Natural Gas (dry)	40 °C		✓✓	✓✓
Nitrogen (Air)			✓✓	✓✓
Oil; Animal			✓✓	✓✓
Oil; Mineral			✓✓	✓✓
Oil; Vegetable			✓✓	✓✓
Oxygen			✓	✓✓
Ozone			✓	✓✓
Propane	20 °C		✓✓	✓✓
Salt water (sea water)	20 °C	2 %	-	✓
Steam	185 °C		-	✓✓
Sulphuric acid H <sub>2</sub> SO <sub>4</sub>			-	-
Water electrical conduction < 20 μ-siemens	60 °C		-	✓
Water electrical conduction > 500 μ-siemens	60 °C		✓✓	✓✓
Water electrical conduction between 20 and 500 μ-siemens	60 °C		✓	✓✓

✓✓	=	Suitable
✓	=	Suitable in most cases
-	=	Not recommendable

# Industrial Valves

Body material			Seal material				
Stainless Steel AISI 316 / EN 1.44xx	Stainless Steel AISI 430 / EN 1.41xx armature/spring steel quality	Cast Iron	EPDM	NBR	FKM	PTFE	
✓✓	✓✓	-	✓✓	✓	-	✓✓	
✓✓	✓✓	✓	✓✓	✓	-	✓✓	
✓✓	✓✓	✓✓	-	✓✓	✓✓	✓✓	
-	-	-	-	-	✓	✓✓	
✓	-	-	✓✓	✓✓	✓✓	✓✓	
✓✓	✓✓	✓✓	✓✓	✓✓	✓✓	✓✓	
✓✓	✓✓	✓	-	✓✓	✓✓	✓✓	
✓✓	✓✓	-	✓✓	✓✓	✓	✓✓	
✓✓	✓✓	✓	✓✓	✓	✓	✓✓	
✓✓	✓✓	✓	✓✓	✓	-	✓✓	
✓✓	✓✓	✓✓	-	✓✓	✓✓	✓✓	
✓✓	✓✓	-	✓✓	-	-	✓✓	
✓✓	✓✓	✓✓	-	✓	✓✓	✓✓	
✓✓	✓✓	✓✓	✓✓	✓✓	✓✓	✓✓	
✓✓	✓✓	✓✓	-	✓	✓✓	✓✓	
✓✓	✓✓	✓✓	-	✓	✓✓	✓✓	
✓✓	✓✓	✓	✓✓	✓	✓✓	✓✓	
✓✓	✓✓	✓	✓✓	-	✓	✓✓	
✓✓	✓✓	✓	✓✓	-	-	✓	
✓✓	✓✓	✓✓	-	✓✓	✓✓	✓✓	
✓	-	-	✓✓	✓✓	✓	✓✓	
✓✓	✓✓	-	-	-	-	✓✓	
-	-	-	✓	-	✓	✓✓	
✓✓	✓	-	✓✓	✓✓	✓	✓✓	
✓✓	✓✓	✓	✓✓	✓✓	✓✓	✓✓	
✓✓	✓✓	-	✓✓	✓✓	✓	✓✓	

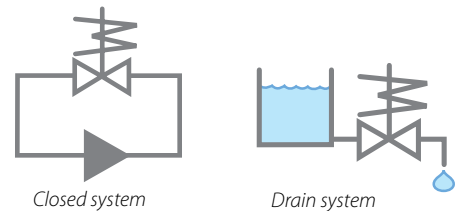
# Use the icons to find the right valve

Use the icons to help select the right solenoid valve for your application. Displayed on the top right corner of the following pages, the icons symbolize values and applications for each solenoid valve type.

**Application:** Select the right valve based on the differential pressure of the system.

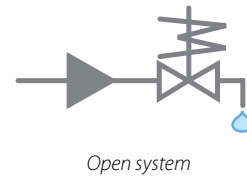
## Closed or drain systems

In a closed-circuit system, there is not significant pressure difference between the inlet and outlet. For example, central heating systems are closed-circuit systems – as are tank systems where the drain is located at a low level in the tank.



## Open systems

In an open-circuit system, the inlet side of the valve will have a relatively high pressure compared to the outlet side. Tap water and sprinkler systems are examples of applications with open systems.



**Value:** the following icons indicate values for the different solenoid valves – select according to your needs.

### Insensitive to dirt

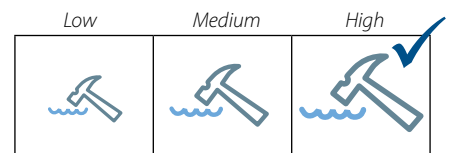
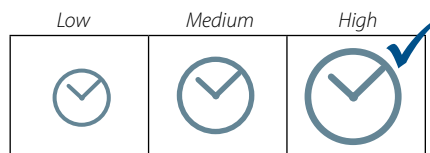
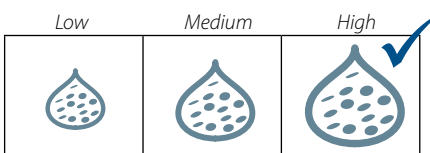
A dirt-resistant valve is fitted with a coaxial, self-cleaning filter which protects the valve pilot. Valves controlled by a B-series coil have a square armature which allows dirt particles to pass through easily.

### Long lifetime and high performance

A specially shaped and strengthened diaphragm reduces stress on the rubber, and prolongs valve lifetime. Coil lifetime is also extended, depending on the shape and IPclass.

### Effective water hammer damping / soft closing

The valve design protects system damage from water hammer through soft closing. To minimize water hammer, some valves have an optimized diaphragm assembly and equalizing orifice. By changing the equalizing orifice on the EV220B 15-50, you can also increase the closing time.

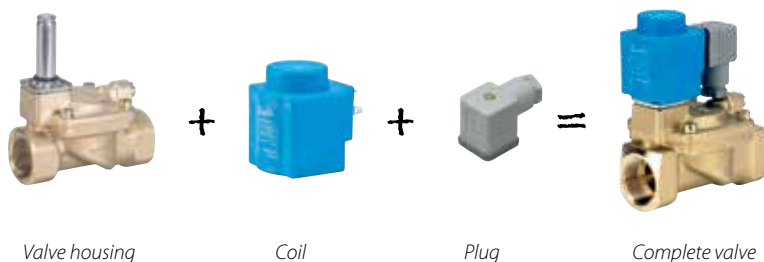


Results are based on comparisons between Danfoss valves only.

## Complete valve or valve and coil separately

A complete solenoid valve consists of: Valve + coil + plug.

The valves can be delivered as separate parts – valve housing, coil and plug or as complete valves.



# Selection Made Easy

Need help selecting the right component for your application? With only a few clicks, Danfoss product selectors can help you find the right product for, standard applications.

Developed to help wholesalers, retailers, installers and endusers pinpoint their solenoid valve needs, the web-based tool makes product selection quick and easy.

All it takes is an internet connection to access the solenoid valve selector tool from your desk or laptop, tablet or smartphone.

To discover just how easy the product selectors are to use, please visit:

<http://valveselector.danfoss.com>

To visit by mobile, scan the QR code:

The image shows a screenshot of the Danfoss Selector tool interface. The top left features the Danfoss logo and a 'Welcome' message. The main area is divided into two sections: 'Pressure Switches' and 'Solenoid valves'. The 'Pressure Switches' section contains a form with dropdown menus for 'Application', 'Enclosure', 'Reset function', 'Connection size', and 'Setting range', along with 'Reset' and 'Search' buttons. Below this is a 'Visit our mobile site' section with a QR code and a smartphone image. The 'Solenoid valves' section displays three product options with their respective images, code numbers, and specifications. At the bottom, there are navigation links for 'INDUSTRIAL AUTOMATION', 'Privacy Policy', and 'Country', along with utility links like 'Print this page', 'Send result as email', 'Send result as text message', 'Where to buy', and 'New search'.

**Pressure Switches**

Application: Please select  
Enclosure: [Dropdown]  
Reset function: [Dropdown]  
Connection size: [Dropdown]  
Setting range: [Dropdown]  
Reset Search

**Visit our mobile site**

Scan the QR code to visit the Danfoss Switch Selector on your mobile device.  
No scanner? - Search "Barcode Reader" in App-store or Android Market.

**Solenoid valves**

**Code no: 032U7115**  
Indirect servo-operated solenoid valve, type EV220B  
Connection size: G 1/2  
Function: Voltage off > Valve closed (NC)  
More details

**Code no: 01RF7360**  
Coil type BB, dip-in, IP55 with cable plug  
Coil voltage: AC - 110 V - 30/60 Hz  
More details

**Code no: 042N0150**  
More details

**Medium:** Water (max 90°C)  
**System:** Sprinkler

INDUSTRIAL AUTOMATION | Privacy Policy | Country

Print this page | Send result as email | Send result as text message | Where to buy  
New search

INDUSTRIAL AUTOMATION | Privacy policy | Country

# EV310A direct-operated 3/2-way compact solenoid valves

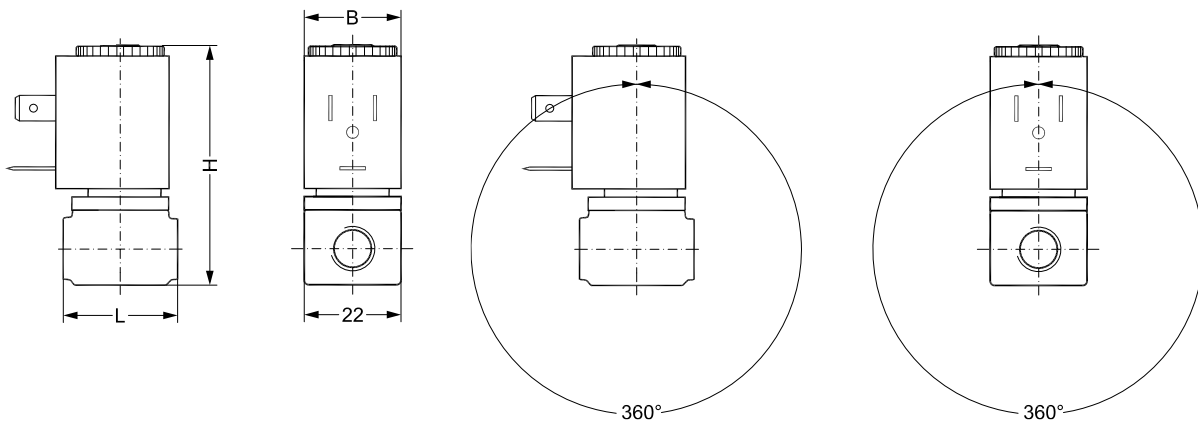


-				+
-				+

EV310A covers a wide range of small competitive, direct-operated 3/2-way solenoid valves for use within industrial applications, for example pilot valve applications.

- 3/2-way
- Direct-operated
- DN 1.2 - DN2
- G 1/8" to G 1/4"
- Ambient temperature: 50 °C
- Brass or stainless steel valve body
- NC (normally closed) and NO (normally open) versions
- Wetted parts: brass, stainless steel, copper and FKM rubber

## Dimensions, weight and mounting angle:



Thread ISO 228/1	L [mm]	B [mm] Coil type		H [mm]	A [mm]	Weight without coil [kg]
		AB	AM			
G 1/8	26	22	33	54	13	0.090
G 1/4	35	22	33	59	17.5	0.115

## EV310A direct-operated valve, brass, NC



Type	Connection	Kv [m <sup>3</sup> /h]	Media Oil / Air	Seal material	Differential pressure [bar]		Code number
					AM coil Oil	AM coil Air	
EV310A 1.5	G 1/8	0.07	✓	FKM	0 – 5	0 – 12	<b>032H8087</b>
EV310A 2.0	G 1/8	0.08	✓	FKM	0 – 4	0 – 8	<b>032H8089</b>
EV310A 1.2	G 1/4	0.04	✓	FKM	0 – 9	0 – 20	<b>032H8095</b>
EV310A 1.5	G 1/4	0.07	✓	FKM	0 – 5	0 – 12	<b>032H8097</b>
EV310A 2.0	G 1/4	0.08	✓	FKM	0 – 4	0 – 8	<b>032H8099</b>

## EV310A direct-operated valve, brass, NO



Type	Connection	Kv [m <sup>3</sup> /h]	Media Oil / Air	Seal material	Differential pressure [bar]		Code number
					AM coil		
EV310A 1.2	G 1/8	0.04	✓	FKM	0 – 13/0 – 9		<b>032H8125</b>

## Coils for EV310A



Voltage		Frequency [Hz]	Power consumption [W]		AP coil	AM coil
[V] AC	[V] DC		AP coil	AM coil	DIN 43650-A	DIN 43650-A
24		50				<b>042N0842</b>
24		60	5		<b>042N4193</b>	<b>042N0842</b>
110		50				<b>042N0845</b>
110		60				<b>042N0845</b>
110 – 120		60	5		<b>042N4192</b>	
230		50			<b>042N4191</b>	<b>042N0840</b>
230		60				<b>042N0840</b>
208 – 240		60	5.5		<b>042N4191</b>	
240		50				<b>042N0841</b>
240		60				<b>042N0841</b>
	12	–				<b>042N0848</b>
	24	–				<b>042N0843</b>

## Cable plugs, IP65 enclosure



To use with all AP, AM coils	<b>042N0156</b>	<b>042N0156</b>
To use with AP, AM coils - 24 V AC and DC	<b>042N0263</b>	<b>042N0263</b>
To use with AP, AM coils - 230 V AC	<b>042N0265</b>	<b>042N0265</b>

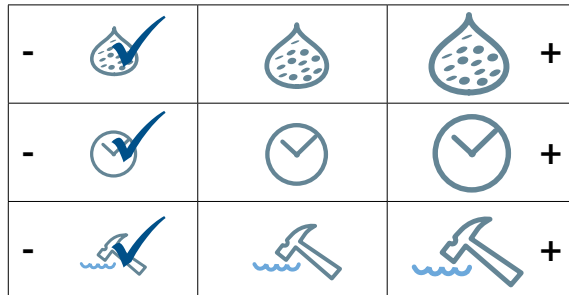
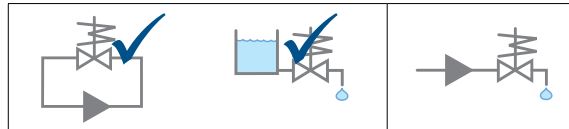
## Accessories for EV310A

### Electronic timers for coils for pulse start, for IP65 only



Type	Description	Control [50/60 Hz]	Power cons. Max [W]	Ambient temp. [°C]	Code number
ET 20 M	External adjustable timing from 1 to 45 minutes with 1 to 15 seconds drain open. With manual override (test button) Electrical connection DIN 43650 A / EN 175 301-803-A	24 - 240	20.0	-10 – 50	<b>042N0185</b>

# EV210A direct-operated 2/2-way compact solenoid valves

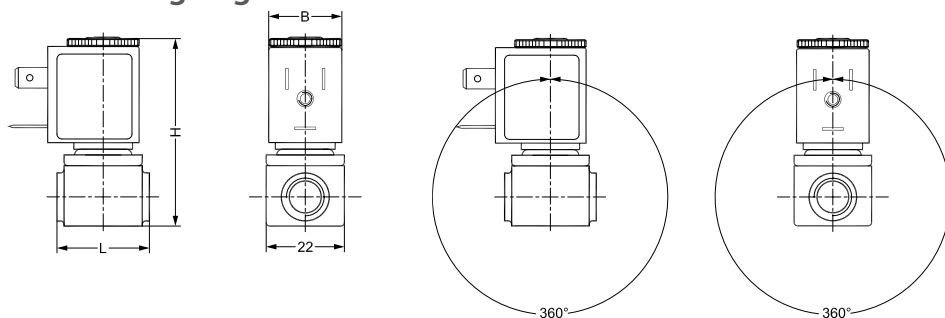


EV210A covers a wide range of small, direct-operated 2/2-way solenoid valves for use in industrial machinery. The compact design together with the broad range of coils means that EV210A covers a broad variety of industrial applications.

- 2/2-way
- Compact dimensions
- Direct-operated

- DN 1.2 - DN 3.5
- G 1/8 to G 1/4
- Ambient temperature: 50 °C
- Brass or stainless steel valve body
- NC (normally closed)
- Wetted parts: brass, stainless steel, copper, EPDM or FKM rubber

## Dimensions, weight and mounting angle:



Thread ISO 228/1	L [mm]	B [mm] Coil type		H [mm]	A [mm]	Weight with AB coil [kg]
		AB	AM			
G 1/8	26	22	33	54	13	0.09
G 1/4	35	22	33	59	17.5	0.115

## EV210A direct operated valve, brass or stainless steel (SS), NC



Type	Connection	Kv [m³/h]	Media		Seal material	Body material		Differential pressure [bar]		Code number
			Water 120 °C	Oil / Air		Brass	SS	AB coil [a.c.] / [d.c.]	AM coil [a.c.] / [d.c.]	
EV210A 1.2	G 1/8	0.04	✓		EPDM	✓		0 - 30 / 0 - 17.5	0 - 30 / 0 - 24	<b>032H8000</b>
EV210A 1.2	G 1/8	0.04		✓	FKM	✓		0 - 28 / 0 - 16	0 - 30 / 0 - 24	<b>032H8001</b>
EV210A 1.5	G 1/8	0.08	✓		EPDM	✓		0 - 18 / 0 - 9.5	0 - 28 / 0 - 22.5	<b>032H8002</b>
EV210A 1.5	G 1/8	0.08		✓	FKM	✓		0 - 15 / 0 - 8	0 - 26 / 0 - 19	<b>032H8003</b>
EV210A 1.5	G 1/8	0.08		✓	FKM		✓	0 - 15 / 0 - 8	0 - 26 / 0 - 19	<b>032H8027</b>
EV210A 2	G 1/8	0.11	✓		EPDM	✓		0 - 11 / 0 - 5.5	0 - 23 / 0 - 18.5	<b>032H8004</b>



## EV210A direct operated valve, brass or stainless steel (SS), NC



Type	Connection	Kv [m <sup>3</sup> /h]	Media		Seal material	Body material		Differential pressure [bar]		Code number
			Water 120 °C	Oil / Air		Brass	SS	AB coil [a.c.] / [d.c.]	AM coil [a.c.] / [d.c.]	
EV210A 2	G 1/8	0.11		✓	FKM	✓		0-9/0-5	0-22/0-17	<b>032H8005</b>
EV210A 2	G 1/8	0.11		✓	FKM		✓	0-9/0-5	0-22/0-17	<b>032H8029</b>
EV210A 2.5	G 1/8	0.17	✓		EPDM	✓		0-6/0-3	0-17/0-13	<b>032H8006</b>
EV210A 2.5	G 1/8	0.17		✓	FKM	✓		0-5/0-2.5	0-16/0-12	<b>032H8007</b>
EV210A 2.5	G 1/8	0.17		✓	FKM		✓	0-5/0-2.5	0-16/0-12	<b>032H8031</b>
EV210A 3	G 1/8	0.22	✓		EPDM	✓		0-4/0-1.5	0-13/0-9	<b>032H8008</b>
EV210A 3	G 1/8	0.22		✓	FKM	✓		0-3/0-1.5	0-12/0-8	<b>032H8009</b>
EV210A 3	G 1/8	0.22		✓	FKM		✓	0-3/0-1.5	0-12/0-8	<b>032H8033</b>
EV210A 2.5	G 1/4	0.17	✓		EPDM	✓		0-6/0-3	0-17/0-13	<b>032H8014</b>
EV210A 2.5	G 1/4	0.17		✓	FKM	✓		0-5/0-2.5	0-16/0-12	<b>032H8015</b>
EV210A 2.5	G 1/4	0.17		✓	FKM		✓	0-5/0-2.5	0-16/0-12	<b>032H8039</b>
EV210A 3	G 1/4	0.22	✓		EPDM	✓		0-4/0-1.5	0-13/0-9	<b>032H8016</b>
EV210A 3	G 1/4	0.22		✓	FKM	✓		0-3/0-1.5	0-12/0-8	<b>032H8017</b>
EV210A 3	G 1/4	0.22		✓	FKM		✓	0-3/0-1.5	0-12/0-8	<b>032H8041</b>
EV210A 3.5	G 1/4	0.26	✓		EPDM	✓		0-2.8/0-1.2	0-11/0-6	<b>032H8018</b>
EV210A 3.5	G 1/4	0.26		✓	FKM	✓		0-2/0-0.8	0-10/0-5.5	<b>032H8019</b>
EV210A 3.5	G 1/4	0.26		✓	FKM		✓	0-2/0-0.8	0-10/0-5.5	<b>032H8043</b>

## Coils for EV210A



Voltage		Frequency [Hz]	Power consumption [W]		AP coil	AM coil
[V] AC	[V] DC		AP coil	AM coil	DIN 43650-A	DIN 43650-A
24		50				<b>042N0842</b>
24		60	5		<b>042N4193</b>	<b>042N0842</b>
110		50				<b>042N0845</b>
110		60				<b>042N0845</b>
110 - 120		60	5		<b>042N4192</b>	
230		50			<b>042N4191</b>	<b>042N0840</b>
230		60				<b>042N0840</b>
208 - 240		60	5.5		<b>042N4191</b>	
240		50				<b>042N0841</b>
240		60				<b>042N0841</b>
	12	-				<b>042N0848</b>
	24	-				<b>042N0843</b>

## Cable plugs, IP65 enclosure



To use with all AP, AM coils

**042N0156**

**042N0156**



To use with AP, AM coils - 24 V AC and DC

**042N0263**

**042N0263**

To use with AP, AM coils - 230 V AC

**042N0265**

**042N0265**

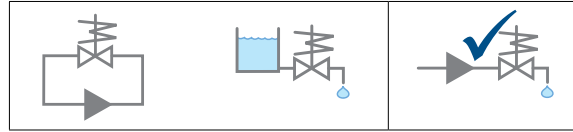
## Accessories for EV210A

### Electronic timers for coils for pulse start, IP65 only



Type	Description	Control [50/60 Hz]	Power cons. Max [W]	Ambient temp. [°C]	Code number
ET 20 M	External adjustable timing from 1 to 45 minutes with 1 to 15 seconds drain open. With manual override (test button) Electrical connection DIN 43650 A / EN 175 301-803-A	24 - 240	20.0	-10 - 50	<b>042N0185</b>

# EV220A servo-operated 2/2-way solenoid valves



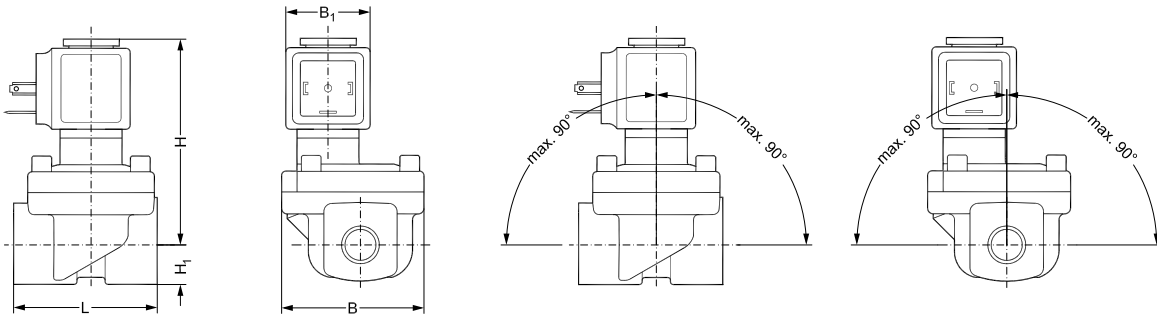
-				+
-				+
-				+

EV220A is a compact servo-operated 2/2-way solenoid valve program, especially designed for use in machines and equipment with limited space.

- 2/2-way
- Servo-operated
- DN 6 – DN50
- G 1/4" to G 2"

- Ambient temperature: 50 °C
- Brass valve body
- NC (normally closed) and NO (normally open) versions
- ISO 228/1 or NPT thread connection
- Nominal pressure from PN 16
- Wetted parts: brass, stainless steel, copper, EPDM or NBR rubber

## Dimensions, weight and mounting angle:



Type / orifice size	L [mm]	B [mm]	B <sub>1</sub> [mm] coil type		H [mm]		H <sub>1</sub> [mm]	Weight with AM coil [kg]
			AM		NC	NO		
EV220A 6	51	50	33		76	80	13	0.56
EV220A 10	51	50	33		76	80	13	0.54
EV220A 12	58	58	33		77	81	13	0.62
EV220A 14	58	58	33		77	81	13	0.6
EV220A 18	90	58	33		78	82	18	0.82
EV220A 22	90	58	33		83	87	22	1.1
EV220A 32	120	82	33		95	-	27	2.1
EV220A 40	130	95	33		105	-	32	3.3
EV220A 50	162	113	33		111	-	37	4.4

## EV220A servo-operated 2/2-way solenoid valves, brass, NC



Type	Connection	Kv [m <sup>3</sup> /h]	Media			Seal material	Differential pressure [bar]	Code number
			Water 120 °C	Water 90 °C	Oil / Air			
EV220A 6	G ¼	1	✓			EPDM	0.2 – 16	<b>042U4001</b>
EV220A 6	G ¼	1		✓	✓	NBR	0.2 – 16	<b>042U4003</b>
EV220A 10	G ⅜	1.6	✓			EPDM	0.2 – 16	<b>042U4011</b>
EV220A 10	G ⅜	1.6		✓	✓	NBR	0.2 – 16	<b>042U4013</b>
EV220A 10	G ½	1.6	✓			EPDM	0.2 – 16	<b>042U4012</b>
EV220A 10	G ½	1.6		✓	✓	NBR	0.2 – 16	<b>042U4014</b>
EV220A 12	G ½	2.5		✓	✓	NBR	0.3 – 16	<b>042U4023</b>
EV220A 14	G ½	4	✓			EPDM	0.3 – 16	<b>042U4022</b>
EV220A14	G ½	4		✓	✓	NBR	0.3 – 16	<b>042U4024</b>
EV220A 18	G ¾	7	✓			EPDM	0.3 – 16	<b>042U4031</b>
EV220A 18	G ¾	7		✓	✓	NBR	0.3 – 16	<b>042U4032</b>
EV220A 22	G 1	7	✓			EPDM	0.3 – 16	<b>042U4041</b>
EV220A 22	G 1	7		✓	✓	NBR	0.3 – 16	<b>042U4042</b>
EV220A 32	G 1 ¼	15	✓			EPDM	0.3 – 16	<b>042U4085</b>
EV220A 32	G 1 ¼	15		✓	✓	NBR	0.3 – 16	<b>042U4084</b>
EV220A 40	G 1 ½	18	✓			EPDM	0.3 – 16	<b>042U4087</b>
EV220A 40	G 1 ½	18		✓	✓	NBR	0.3 – 16	<b>042U4086</b>
EV220A 50	G 2	32	✓			EPDM	0.3 – 16	<b>042U4089</b>
EV220A 50	G 2	32		✓	✓	NBR	0.3 – 16	<b>042U4088</b>

## EV220A servo-operated 2/2-way solenoid valves, brass, NO



Type	Connection	Kv [m <sup>3</sup> /h]	Media			Seal material	Differential pressure [bar]	Code number
			Water 120 °C	Water 90 °C	Oil / Air			
EV220A 6	G ¼	1		✓	✓	NBR	0.2 – 16	<b>042U4053</b>
EV220A 10	G ⅜	1.6		✓	✓	NBR	0.2 – 16	<b>042U4063</b>
EV220A 14	G ½	4		✓	✓	NBR	0.3 – 16	<b>042U4074</b>
EV220A 18	G ¾	7		✓	✓	NBR	0.3 – 16	<b>042U4082</b>
EV220A 22	G 1	7		✓	✓	NBR	0.3 – 16	<b>042U4092</b>

## Coils for EV220A



Voltage		Frequency [Hz]	Effect [W] AM coil	AM coil DIN 43650-A
[a.c.]	[d.c.]			
24		50/60	7.5/5.5	<b>042N0842</b>
110		50/60	7.5/5.5	<b>042N0845</b>
230		50/60	9.5/6.5	<b>042N0840</b>
240		50/60	7.5/5.5	<b>042N0841</b>
	12	-	8.5	<b>042N0848</b>
	24	-	9.0	<b>042N0843</b>

## Cable plugs, IP65 enclosure



To use with AM coils

**042N0156**



To use with AM coils - 24 V a.c. and d.c.

**042N0263**

To use with AM coils - 230 V a.c.

**042N0265**

## Spare parts and accessories for EV220A



### Spare part kits, NC

Application	Seal material	Code number
EV220A 6 - 10	EPDM	<b>042U1000</b>
EV220A 6 - 10	NBR	<b>042U1001</b>
EV220A 12-14	EPDM	<b>042U1003</b>
EV220A 12 - 14	NBR	<b>042U1004</b>
EV220A 18 - 22	EPDM	<b>042U1006</b>
EV220A 18 - 22	NBR	<b>042U1007</b>
EV220A 32	EPDM	<b>042U1037</b>
EV220A 32	NBR	<b>042U1038</b>
EV220A 40	EPDM	<b>042U1039</b>
EV220A 40	NBR	<b>042U1040</b>
EV220A 50	EPDM	<b>042U1041</b>
EV220A 50	NBR	<b>042U1042</b>

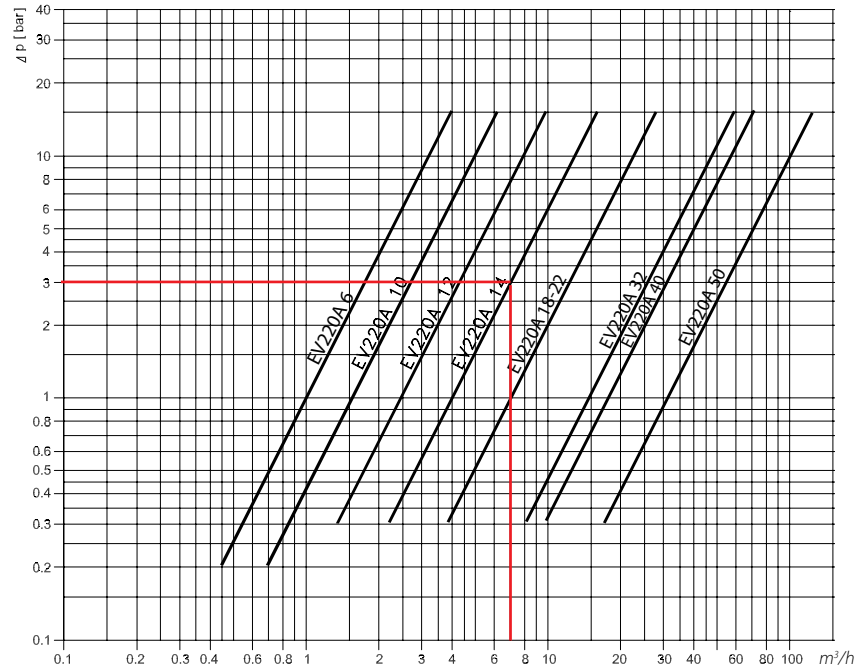
## Electronic timers for coils for pulse start, only AM coil



Type	Description	Control [V 50/60 Hz]	Power cons. Max [W]	Ambient temp. [°C]	Code number
ET 20 M	External adjustable timing from 1 – 45 minutes with 1 – 15 seconds drain open. With manual override (test button) Electrical connection DIN 43650 A / EN 175 301-803-A	24 – 240	20.0	-10 – 50	<b>042N0185</b>

# Capacity diagram for EV220A

Example for water:  
Capacity for EV220A at differential  
pressure of 3 bar: Approx. 7 m<sup>3</sup>/h



# EV310B direct-operated 3/2-way solenoid valves



-			+
-			+

EV310B covers a wide range of direct-operated 3/2-way solenoid valves for universal use.

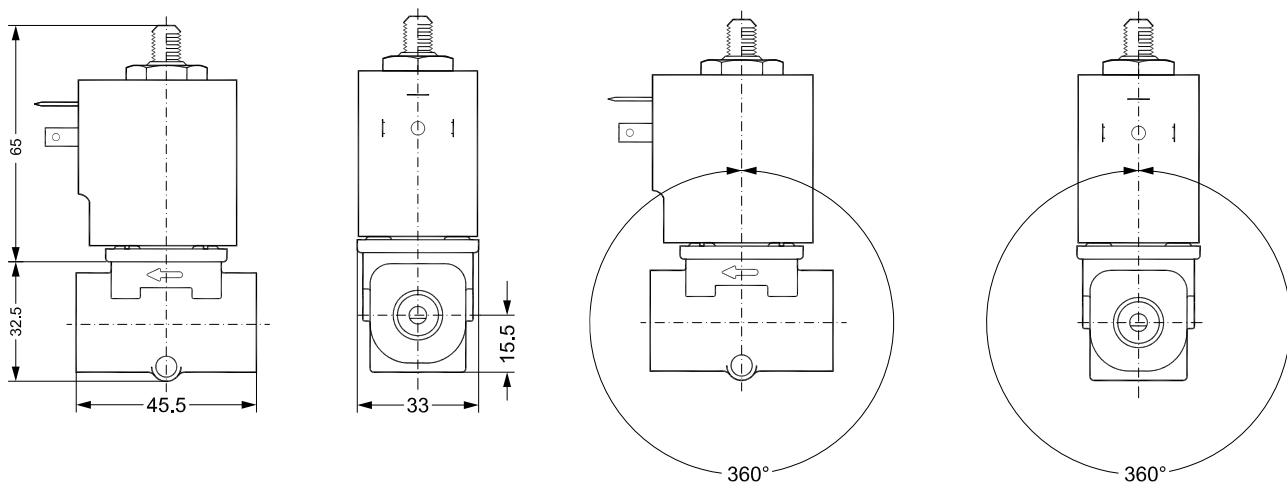
EV310B is a real robust valve program with high performance and can be used in all kind of tough working conditions.

Clip-on coils can not be used on EV310B.

- 3/2-way
- Direct-operated
- DN 1.5 – DN 3.5
- Ambient temperature: 40 °C
- Brass valve body
- Thread (G 1/8" to G 3/8") or flange (32x32 mm) connections
- NC (normally closed) and NO (normally open) versions
- Manual override versions
- Nominal pressure from PN 16
- Wetted parts: brass, stainless steel, copper and FKM rubber

## Dimensions, weight and mounting angle:

Weight without coil: 0.220 kg



All dimensions in millimetres

## EV310B without coil, brass, NC



Type	Connection	Kv [m <sup>3</sup> /h]	Media Oil / Air	Seal material	Differential pressure [bar]	Code number
EV310B 2	G 1/8	0.15	✓	FKM	0 – 16	<b>032U4901</b>
EV310B 2	G 1/4	0.15	✓	FKM	0 – 16	<b>032U4904</b>

Media: EPDM: Water (120 °C), FKM: Oil and Air, NBR: Water (90 °C), Oil and Air

## EV310B without coil, brass, NC, manual override unit



Type	Connection	Kv [m <sup>3</sup> /h]	Media Oil / Air	Seal material	Differential pressure [bar]	Code number
EV310B 2	G 1/8	0.15	✓	FKM	0 – 16	<b>032U4916</b>
EV310B 2	G 1/4	0.15	✓	FKM	0 – 16	<b>032U4919</b>

Media: EPDM: Water (120 °C), FKM: Oil and Air, NBR: Water (90 °C), Oil and Air

## Coils for EV310B



Voltage		Frequency [Hz]	Effect [W] BA coil	BA coil IP00
[a.c.]	[d.c.]			
24		50	8.5	<b>042N7508</b>
48		50	9.5	<b>042N7510</b>
115		50	9.0	<b>042N7512</b>
220 – 230		50	12	<b>042N7501</b>
240		50	10	<b>042N7502</b>
380 – 400		50	12	<b>042N7504</b>
	12	-	14	<b>042N7550</b>
	24	-	14	<b>042N7551</b>

## Cable plug, IP65 enclosure



To use with all BA coils

**042N0156**



To use with BA coils - 24 V a.c.+d.c.

**042N0263**

To use with BA coils - 230 V

**042N0265**

## Accessories for EV310B

### Electronic timers for coils for pulse start



Type	Description	Control [V 50/60 Hz]	Power cons. Max [W]	Ambient temp. [°C]	Code number
ET 20 M	External adjustable timing from 1 – 45 minutes with 1 – 15 seconds drain open. With manual override (test button) Electrical connection DIN 43650 A / EN 175 301-803-A	24 – 240	20.0	-10 – 50	<b>042N0185</b>



# The EV210B solenoid valve for tough working conditions

The EV210B is designed to control the flow of water, oil or air in a wide range of applications.

## 1 Increased performance without increasing coil power

The EV210B's non-fixed valve plate doubles performance without increasing the coil power or reducing the valve's lifetime. When the coil is energised, the armature moves and accumulates energy, and when it hits the valve plate, the impact lifts the plate to increase performance.

## 2 Modular design for customised solutions

EV210B with direct actuator is extremely durable at high temperature and pressure. The valve has a modular design which is perfect for customised solutions.

## 3 Long life

Designed to last, the EV210B has a high wall thickness, a unique square-shaped armature and a specially designed spring. And because the spring movements are very close, wear is significantly reduced.

## 4 Insensitive to dirt

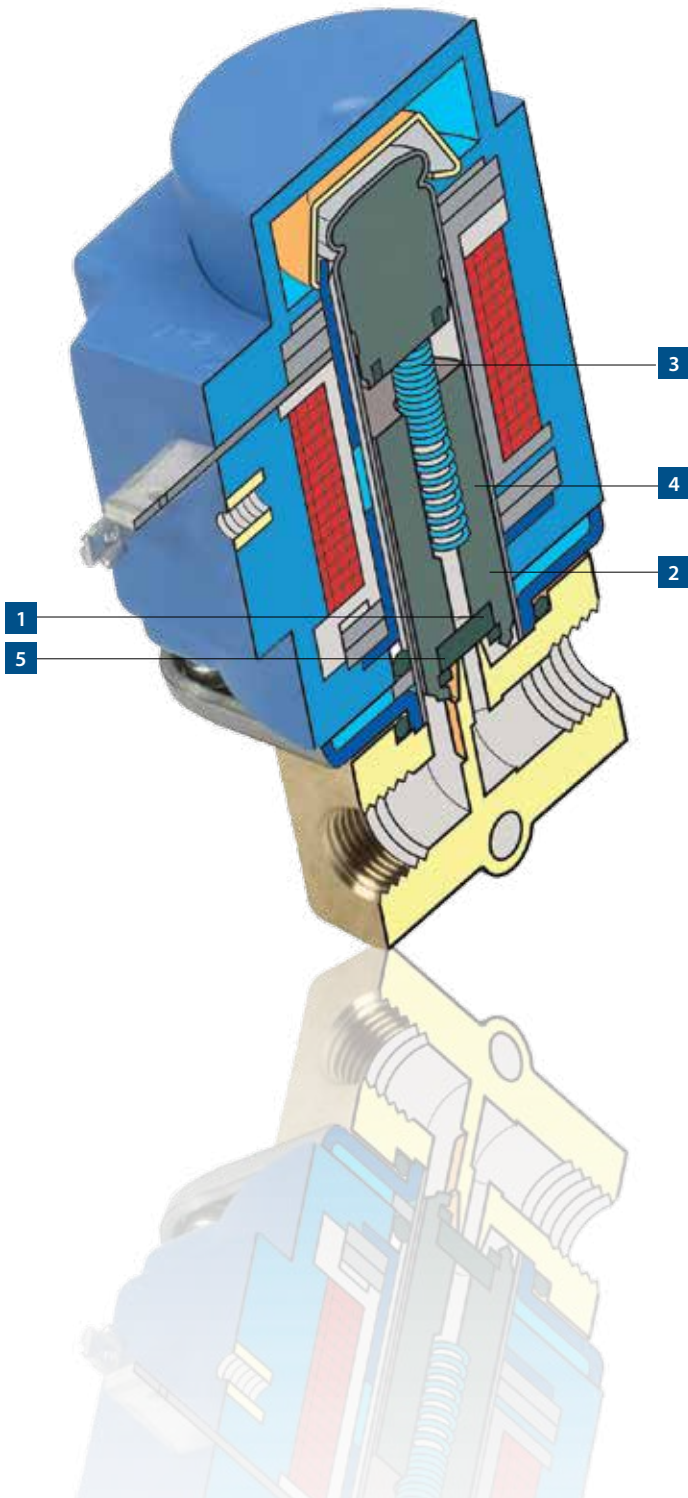
Due to the armature's unique design, there is a low risk of particles sticking to the armature. If particles become lodged between the armature and the armature tube or top, they will be displaced by the fluid when the armature moves.

## 5 Optimum Kv-values for many connections

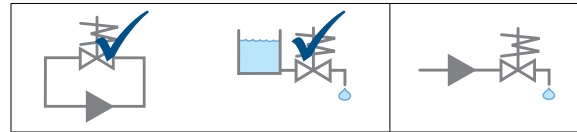
The optimum shape and diameter of the valve plate, as well as the valve plate lift ensure that the EV210B has high Kv-values (capacity).

### Secure opening and closing

To prevent particles lodging in the armature, an isolating diaphragm is available for valves up to 4.5 mm.



# EV210B direct-operated 2/2-way solenoid valves

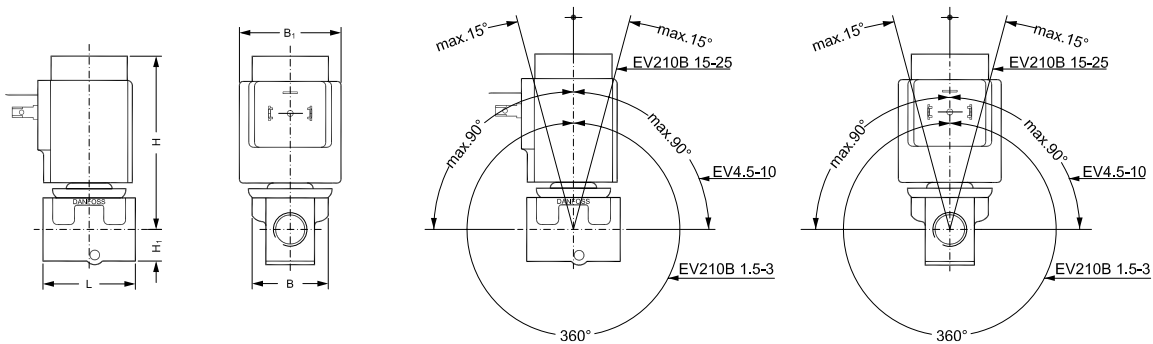


-			
-			
-			

EV210B covers a wide range of direct-operated 2/2-way solenoid valves for universal use. EV210B is a real robust valve program with high performance and can be used in all kind of tough working conditions.

- 2/2-way
- High Performance series
- Direct-operated
- DN 1.5 – DN 25
- Brass or stainless steel valve body
- NC (normally closed) and NO (normally open) versions
- ISO 228/1 G 1/8" to G 1"
- UL listed version with NPT for North America (EVI)
- Wetted parts: brass, stainless steel, copper, EPDM, FKM or NBR rubber

## Dimensions, weight and mounting angle:



Type / orifice size	L [mm]	B [mm]	B <sub>1</sub> [mm] Coil type		H <sub>1</sub> [mm]	H [mm]	Weight with BB coil [kg]
			BA	BB			
EV210B 1.5/2	35.0	34	32	46	12.0	70.0	0.39
EV210B 3/4,5	38.0	34	32	46	11.0	70.0	0.44
EV210B 6	45.5	34	32	46	15.5	72.5	0.46
EV210B 8/10	49.0	34	32	46	15.5	72.5	0.53
EV210B 15	58.0	53.0	32	46	12.5	92.5	0.69
EV210B 20	90.0	58.0	32	46	18.0	92.0	1.34
EV210B 25	90.0	58.0	32	46	23.0	96.0	1.34

## EV210B direct operated valve with coil and plug IP65, brass, NC



Type	Connection	Kv [m <sup>3</sup> /h]	Media		Seal material	Differential pressure [bar]	Coil BB		Code number
			Oil / Air				[V a.c. 50 Hz]	[V d.c.]	
EV210B 1.5	G 1/8	0.08	✓		FKM	0 – 30		24	<b>032U145802</b>
EV210B 1.5	G 1/8	0.08	✓		FKM	0 – 30		24	<b>032U145816</b>
EV210B 1.5	G 1/8	0.08	✓		FKM	0 – 30		230	<b>032U145831</b>
EV210B 3	G 1/4	0.30	✓		FKM	0 – 13		24	<b>032U147002</b>
EV210B 3	G 1/4	0.30	✓		FKM	0 – 20		24	<b>032U147016</b>
EV210B 3	G 1/4	0.30	✓		FKM	0 – 20		230	<b>032U147031</b>
EV210B 4.5	G 3/8	0.55	✓		FKM	0 – 4.5		24	<b>032U148002</b>
EV210B 4.5	G 3/8	0.55	✓		FKM	0 – 10		24	<b>032U148016</b>
EV210B 4.5	G 3/8	0.55	✓		FKM	0 – 10		230	<b>032U148031</b>

## EV210B direct operated valve, brass, NC



Type	Connection	Kv [m <sup>3</sup> /h]	Media			Seal material	Differential pressure [bar]		Code number
			Water 120 °C	Water 90 °C	Oil / Air		BA coil [a. c.] / [d. c.]	BB/BE coil [a. c.] / [d. c.]	
EV210B 1.5	G 1/8	0.08	✓			EPDM	0 – 30 / 0 – 30	0 – 30 / 0 – 30	<b>032U5701</b>
EV210B 1.5	G 1/8	0.08			✓	FKM	0 – 30 / 0 – 30	0 – 30 / 0 – 30	<b>032U5702</b>
EV210B 1.5	G 1/8	0.08		✓	✓	NBR	0 – 30 / 0 – 30	0 – 30 / 0 – 30	<b>032U1200</b>
EV210B 1.5	G 1/4	0.08			✓	FKM	0 – 30 / 0 – 30	0 – 30 / 0 – 30	<b>032U3629</b>
EV210B 1.5	G 1/4	0.08		✓	✓	NBR	0 – 30 / 0 – 30	0 – 30 / 0 – 30	<b>032U1205</b>
EV210B 2	G 1/8	0.15			✓	FKM	0 – 30 / 0 – 20	0 – 30 / 0 – 30	<b>032U5704</b>
EV210B 2	G 1/4	0.15	✓			EPDM	0 – 30 / 0 – 20	0 – 30 / 0 – 30	<b>032U5707</b>
EV210B 2	G 1/4	0.15			✓	FKM	0 – 30 / 0 – 20	0 – 30 / 0 – 30	<b>032U5708</b>
EV210B 3	G 1/8	0.30			✓	FKM	0 – 15 / 0 – 9	0 – 20 / 0 – 13	<b>032U5706</b>
EV210B 3	G 1/8	0.30	✓			EPDM	0 – 15 / 0 – 9	0 – 20 / 0 – 13	<b>032U5705</b>
EV210B 3	G 1/4	0.30		✓	✓	NBR	0 – 15 / 0 – 9	0 – 20 / 0 – 13	<b>032U1220</b>
EV210B 3	G 1/4	0.30	✓			EPDM	0 – 15 / 0 – 9	0 – 20 / 0 – 13	<b>032U5709</b>
EV210B 3	G 1/4	0.30			✓	FKM	0 – 15 / 0 – 9	0 – 20 / 0 – 13	<b>032U5710</b>
EV210B 3	G 3/8	0.30	✓			EPDM	0 – 15 / 0 – 9	0 – 20 / 0 – 13	<b>032U3642</b>
EV210B 3	G 3/8	0.30		✓	✓	NBR	0 – 15 / 0 – 9	0 – 20 / 0 – 13	<b>032U1225</b>
EV210B 3	G 3/8	0.30			✓	FKM	0 – 15 / 0 – 9	0 – 20 / 0 – 13	<b>032U3643</b>
EV210B 4.5	G 1/4	0.55			✓	FKM	0 – 8 / 0 – 3.5	0 – 10 / 0 – 4.5	<b>032U3601</b>
EV210B 4.5	G 3/8	0.55	✓			EPDM	0 – 8 / 0 – 3.5	0 – 10 / 0 – 4.5	<b>032U3605</b>
EV210B 4.5	G 3/8	0.55			✓	FKM	0 – 8 / 0 – 3.5	0 – 10 / 0 – 4.5	<b>032U3606</b>
EV210B 6	G 3/8	0.70		✓	✓	NBR	0 – 2.5 / 0 – 1	0 – 4 / 0 – 2	<b>032U1231</b>
EV210B 6	G 3/8	0.70	✓			EPDM	0 – 2.5 / 0 – 1	0 – 4 / 0 – 2	<b>032U3607</b>
EV210B 6	G 3/8	0.70			✓	FKM	0 – 2.5 / 0 – 1	0 – 4 / 0 – 2	<b>032U3608</b>
EV210B 8	G 1/2	1.00	✓			EPDM	0 – 1.5 / 0 – 0.5	0 – 2 / 0 – 1.2	<b>032U3615</b>
EV210B 8	G 1/2	1.00			✓	FKM	0 – 1.5 / 0 – 0.5	0 – 2 / 0 – 1.2	<b>032U3616</b>
EV210B 10	G 1/2	1.50	✓			EPDM	0 – 0.8 / 0 – 0.3	0 – 1.2 / 0 – 0.6	<b>032U3617</b>
EV210B 10	G 1/2	1.50			✓	FKM	0 – 0.8 / 0 – 0.3	0 – 1.2 / 0 – 0.6	<b>032U3618</b>

## EV210B direct operated valve, DZR brass, NC



Type	Connection	Kv [m <sup>3</sup> /h]	Media		Seal material	Differential pressure [bar]		Code number
			Water 120 °C	Oil / Air		BA/BE coil [a. c.] / [d. c.]	BB coil [a. c.] / [d. c.]	
EV210B 15	G 1/2	2.85	✓		EPDM	0 – 0.25 / -	0 – 0.3 / 0 – 0.15	<b>032U3619</b>
EV210B 15	G 1/2	2.85		✓	FKM	0 – 0.25 / -	0 – 0.3 / 0 – 0.15	<b>032U3620</b>
EV210B 20	G 3/4	4.50	✓		EPDM	-	0 – 0.28 / 0 – 0.12	<b>032U3621</b>
EV210B 20	G 3/4	4.50		✓	FKM	-	0 – 0.28 / 0 – 0.12	<b>032U3622</b>
EV210B 25	G 1	8.00	✓		EPDM	-	0 – 0.25 / 0 – 0.09	<b>032U3623</b>
EV210B 25	G 1	8.00		✓	FKM	-	0 – 0.25 / 0 – 0.09	<b>032U3624</b>

## EV210B direct operated valve, brass, NO



Type	Connection	Kv [m <sup>3</sup> /h]	Media		Seal material	Differential pressure [bar]		Code number
			Water 120 °C	Oil / Air		BA/BE/BB coil [a. c.] / [d. c.]		
EV210B 1.5	G 1/8	0.08	✓		EPDM	0 – 30		<b>032U3630</b>
EV210B 1.5	G 1/8	0.08		✓	FKM	0 – 30		<b>032U3631</b>
EV210B 2.0	G 1/8	0.15	✓		EPDM	0 – 12		<b>032U3632</b>
EV210B 2.0	G 1/8	0.15		✓	FKM	0 – 12		<b>032U3633</b>
EV210B 2.0	G 1/4	0.15	✓		EPDM	0 – 12		<b>032U3636</b>
EV210B 2.0	G 1/4	0.15		✓	FKM	0 – 12		<b>032U3637</b>
EV210B 3.0	G 1/4	0.30	✓		EPDM	0 – 5		<b>032U3638</b>
EV210B 3.0	G 1/4	0.30		✓	FKM	0 – 5		<b>032U3639</b>
EV210B 4.5	G 1/4	0.55	✓		EPDM	0 – 2		<b>032U3640</b>
EV210B 4.5	G 1/4	0.55		✓	FKM	0 – 2		<b>032U3641</b>

## Coils for EV210B



Voltage		Frequency [Hz]	Power consumption [W]				BA coil IP00	BB coil IP00 clip-on	BY coil IP65 clip-on	BE coil IP67 clip-on
[V] AC	[V] DC		BA	BB	BY	BE				
24		50	8.5	11	14	12	<b>042N7508</b>	<b>018F7358</b>	<b>018F7655</b>	<b>018F6707</b>
24		60			12			<b>018F7655</b>		
48		50	9.5			11	<b>042N7510</b>			<b>018F6709</b>
110		50		15	14		<b>018F7360</b>	<b>018F7663</b>		
110		60		13			<b>018F7360</b>			
110 - 120		60			14			<b>018F7663</b>		
115		50	9.0	11		11	<b>042N7512</b>	<b>018F7361</b>		<b>018F6711</b>
220 - 230		50	12	11		12	<b>042N7501</b>	<b>018F7351</b>		<b>018F6701</b>
230		50			16			<b>018F7658</b>		
208 - 240		60			14			<b>018F7658</b>		
240		50	10	11		11	<b>042N7502</b>	<b>018F7352</b>		<b>018F6702</b>
380 - 400		50	12	14		14	<b>042N7504</b>	<b>018F7353</b>		<b>018F6703</b>
440		60		15		15		<b>018F7353</b>		<b>018F6703</b>
	12		14	13		15	<b>042N7550</b>	<b>018F7396</b>		<b>018F6756</b>
	24		14	16		13	<b>042N7551</b>	<b>018F7397</b>		<b>018F6757</b>

## Cable plug, IP65 enclosure



To use with all BA, BB and BY coils

**042N0156**      **042N0156**      **042N0156**



To use with BA, BB and BY coils - 24 V AC+DC

**042N0263**      **042N0263**      **042N0263**

To use with BA, BB and BY coils - 230 V AC

**042N0265**      **042N0265**      **042N0265**

No plug needed IP67 terminal box fitted as standard

## Spare parts and accessories for EV210B

### Isolating diaphragm kit, NC



Application	Seal material	Code number
EV210B 1.5 - 4.5	EPDM	<b>042U1009</b>
EV210B 1.5 - 4.5	FKM	<b>042U1010</b>

### Permanent magnet



Application	Code number
Fits all EV220B valves	<b>018F0091</b>

### Electronic timers for coils for pulse start



Type	Description	Control [50/60 Hz]	Power cons. Max [W]	Ambient temp. [°C]	Code number
ET 20 M	External adjustable timing from 1 to 45 minutes with 1 to 15 seconds drain open. With manual override (test button) Electrical connection DIN 43650 A / EN 175 301-803-A	24 - 240	20.0	-10 - 50	<b>042N0185</b>

# The EV220B 6-22 for medium to large flow

The EV220B 6-22 is a high performance, robust valve programme.

## 1 Low water hammer

The softest closing valve on the market, the EV220B 6-22 has an optimised diaphragm shape, added reinforcement for internal damping, and a special damping cone to ensure viscous damping in the critical late closing stage.

## 2 Insensitive to dirt

The square armature design enables the armature to move freely and reduces the risk of dirt particles lodging in the armature. If particles do lodge between the armature and the armature tube walls, they are quickly displaced by the fluid when the valve is activated.

## 3 Broad range of body and sealing materials

The EV220B 6-22 is available in two body materials. The brass version is ideal for applications with a limited risk of corrosion. Tougher applications should use versions with dezincification resistant brass (DZR brass) bodies and stainless steel inserts.

The EV220B 6-22 is also available with two seal materials. Both the EPDM and FKM seals can cope with all common media and a wide temperature range, while the EPDM versions have water approvals.

## 4 Long lifetime

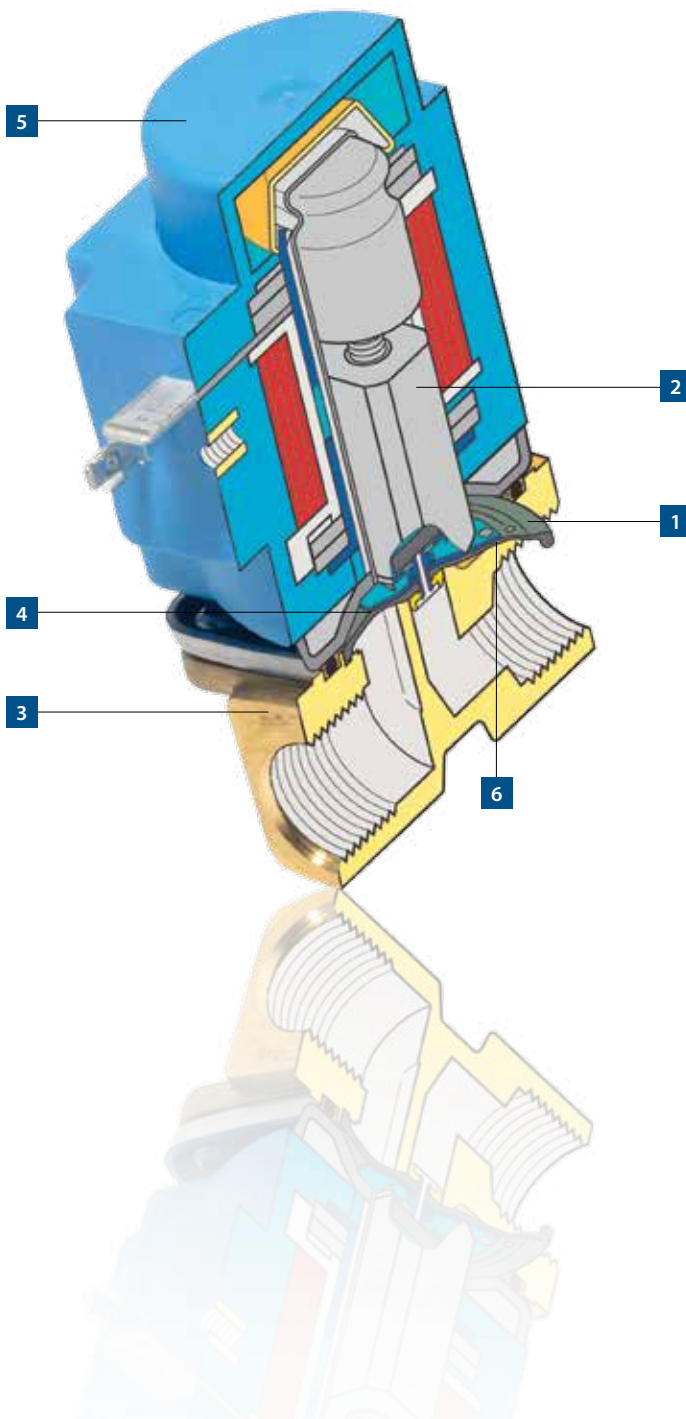
The moulded rubber diaphragm has a special profile that greatly reduces the effects of stress and maximises valve lifetime.

## 5 Wide coil range

The valves use the standard B-range of coils from IP00 to IP67, including the clip-on system and specialty coils, making it easy to select a coil with the right features. And the special ATEX coil programme is ideal for hazardous environments.

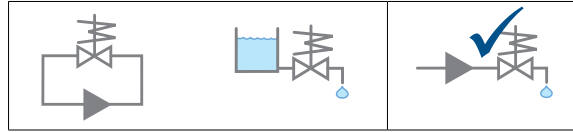
## 6 High capacity across the entire pressure range

The optimised diaphragm shape gives a very high lift height, providing excellent capacity and tightness at any pressure.





# EV220B 6-22 servo-operated 2/2-way solenoid valves

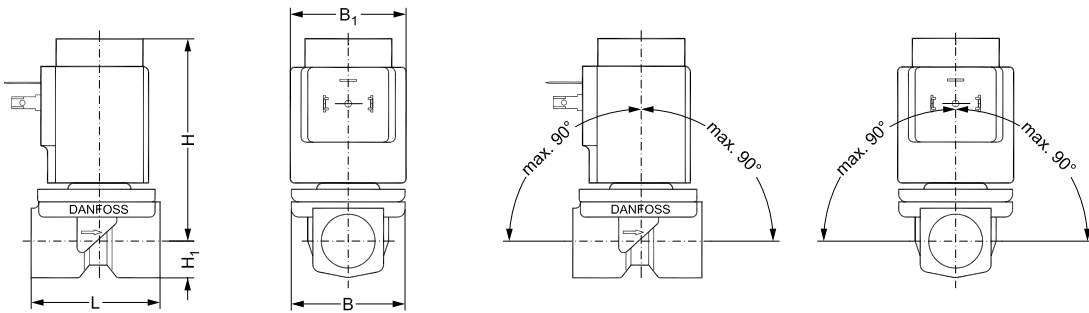


-			
-			
-			

EV220B 6-22 is a direct servo-operated 2/2-way solenoid valve program with connections from 1/4" – 1". This program is especially for OEM applications demanding a robust solution and moderate flow rates.

- 2/2-way
- Servo-operated
- DN 6 – DN 22
- Brass or DZR (de-zincification resistant) brass valve body
- NC (normally closed) and NO (normally open) versions
- ISO 228/1 or NPT thread connection (EVSI and EVSI-U)
- Nominal pressure from PN 25
- Wetted parts: brass, stainless steel, copper, EPDM, FKM or NBR rubber

## Dimensions, weight and mounting angle:



Type / orifice size	L [mm]	B [mm]	B <sub>1</sub> [mm] Coil type		H <sub>1</sub> [mm]	H [mm]	Weight with BB coil [kg]
			BA	BB/BE			
EV220B 6	45.5	43,5	32	46	13.0	74.0	0.46
EV220B 10	51.5	48.0	32	46	13.0	77.0	0.53
EV220B 12	58.0	54.0	32	46	13.0	77.0	0.59
EV220B 18	90.0	62.0	32	46	18.0	83.0	0.89
EV220B 22	90.0	62.0	32	46	18.0	98.0	0.89



## EV220B 6-22 servo-operated valves with coil and plug, IP65, brass, NC



Type	Connection	Kv [m <sup>3</sup> /h]	Media		Seal material	Differential pressure [bar]	Coil BB		Code number
			Water 90 °C	Oil / Air			[V a.c. 50Hz]	[V d.c.]	
EV220B 10	G 3/8	1.5	✓	✓	NBR	0.1 – 10		24	<b>032U151802</b>
EV220B 10	G 3/8	1.5	✓	✓	NBR	0.1 – 20	24		<b>032U151816</b>
EV220B 10	G 3/8	1.5	✓	✓	NBR	0.1 – 20	230		<b>032U151831</b>
EV220B 12	G 1/2	2.5	✓	✓	NBR	0.3 – 6*		24	<b>032U153802</b>
EV220B 12	G 1/2	2.5	✓	✓	NBR	0.3 – 10	24		<b>032U153816</b>
EV220B 12	G 1/2	2.5	✓	✓	NBR	0.3 – 10	230		<b>032U153831</b>
EV220B 18	G 3/4	6	✓	✓	NBR	0.3 – 6*		24	<b>032U528602</b>
EV220B 18	G 3/4	6	✓	✓	NBR	0.3 – 10	24		<b>032U528616</b>
EV220B 18	G 3/4	6	✓	✓	NBR	0.3 – 10	230		<b>032U528631</b>
EV220B 22	G 1	6	✓	✓	NBR	0.3 – 6*		24	<b>032U528702</b>
EV220B 22	G 1	6	✓	✓	NBR	0.3 – 10	24		<b>032U528716</b>
EV220B 22	G 1	6	✓	✓	NBR	0.3 – 10	230		<b>032U528731</b>

\* 6 bar max opening differential pressure is measured at 6% under voltage (22.6 volt d.c. hot coil), 50 °C ambient, 90 °C media temperature and nominal pressure PN 6

## EV220B 6-22 servo-operated valves, brass, NC



Type	Connection	Kv [m <sup>3</sup> /h]	Media		Seal material	Differential pressure [bar]	Code number
			Water 100 °C	Oil / Air			
EV220B 6	G 1/4	0.7	✓		EPDM	0.1 – 20	<b>032U1236</b>
EV220B 6	G 1/4	0.7		✓	FKM	0.1 – 20	<b>032U1237</b>
EV220B 6	G 3/8	0.7	✓		EPDM	0.1 – 20	<b>032U1241</b>
EV220B 6	G 3/8	0.7		✓	FKM	0.1 – 20	<b>032U1242</b>
EV220B 10	G 3/8	1.5	✓		EPDM	0.1 – 20	<b>032U1246</b>
EV220B 10	G 3/8	1.5		✓	FKM	0.1 – 20	<b>032U1247</b>
EV220B 10	G 1/2	1.5	✓		EPDM	0.1 – 20	<b>032U1251</b>
EV220B 10	G 1/2	1.5		✓	FKM	0.1 – 20	<b>032U1252</b>
EV220B 12	G 1/2	2.5	✓		EPDM	0.3 – 10	<b>032U1256</b>
EV220B 12	G 1/2	2.5		✓	FKM	0.3 – 10	<b>032U1255</b>
EV220B 18	G 3/4	6	✓		EPDM	0.3 – 10	<b>032U1261</b>
EV220B 18	G 3/4	6		✓	FKM	0.3 – 10	<b>032U1260</b>
EV220B 22	G 1	6	✓		EPDM	0.3 – 10	<b>032U1263</b>
EV220B 22	G 1	6		✓	FKM	0.3 – 10	<b>032U1266</b>

## EV220B 6-22 servo-operated valves, brass, NO



Type	Connection	Kv [m <sup>3</sup> /h]	Media		Seal material	Differential pressure [bar]	Code number
			Water 100 °C	Oil / Air			
EV220B 6	G 3/8	0.7	✓		EPDM	0.1 – 10	<b>032U1238</b>
EV220B 6	G 3/8	0.7		✓	FKM	0.1 – 10	<b>032U1239</b>
EV220B 10	G 1/2	1		✓	FKM	0.1 – 10	<b>032U1249</b>

## Coils for EV220B 6 - EV220B 22:



Voltage		Frequency [Hz]	Power consumption [W]				BA coil IP00	BB coil IP00 clip-on	BY coil IP65 clip-on	BE coil IP67 clip-on
[V] AC	[V] DC		BA	BB	BY	BE				
24		50	8.5	11	14	12	<b>042N7508</b>	<b>018F7358</b>	<b>018F7655</b>	<b>018F6707</b>
24		60			12			<b>018F7655</b>		
48		50	9.0			11	<b>042N7510</b>			<b>018F6709</b>
110		50		15	14			<b>018F7360</b>	<b>018F7663</b>	
110		60		13				<b>018F7360</b>		
110 - 120		60			14				<b>018F7663</b>	
115		50	9.0	11		11	<b>042N7512</b>	<b>018F7361</b>		<b>018F6711</b>
220 - 230		50	12	11		12	<b>042N7501</b>	<b>018F7351</b>		<b>018F6701</b>
230		50			16				<b>018F7658</b>	
208 - 240		60			14				<b>018F7658</b>	
240		50	10	11		11	<b>042N7502</b>	<b>018F7352</b>		<b>018F6702</b>
380 - 400		50	12	14		14	<b>042N7504</b>	<b>018F7353</b>		<b>018F6703</b>
440		60		15		15		<b>018F7353</b>		<b>018F6703</b>
	12		14	13		15	<b>042N7550</b>	<b>018F7396</b>		<b>018F6756</b>
	24		14	16		13	<b>042N7551</b>	<b>018F7397</b>		<b>018F6757</b>

## Cable plug, IP65 enclosure

To use with all BA, BB and BY coils



**042N0156**

**042N0156**

**042N0156**

No plug needed IP67 terminal box fitted as standard

To use with BA, BB and BY coils - 24 V AC+DC



**042N0263**

**042N0263**

**042N0263**

To use with BA, BB and BY coils - 230 V AC

**042N0265**

**042N0265**

**042N0265**

## Spare parts and accessories for EV220B 6-22

### Spare part kits, NC



Application	Seal material	Code number
EV220B 6	EPDM	<b>032U1062</b>
EV220B 6	FKM	<b>032U1063</b>
EV220B 10	EPDM	<b>032U1065</b>
EV220B 10	FKM	<b>032U1066</b>

### Spare part kits, NC



Application	Seal material	Code number
EV220B 12	EPDM	<b>032U1068</b>
EV220B 12	FKM	<b>032U1067</b>
EV220B 18	EPDM	<b>032U1070</b>
EV220B 18	FKM	<b>032U1069</b>

### Spare part kits, NO



Application	Seal material	Code number
EV220B 6	EPDM	<b>032U0165</b>
EV220B 6	FKM	<b>032U0166</b>
EV220B 10	FKM	<b>032U0167</b>



## Permanent magnet

### Description

Fits all EV220B valves

Code number

**018F0091**

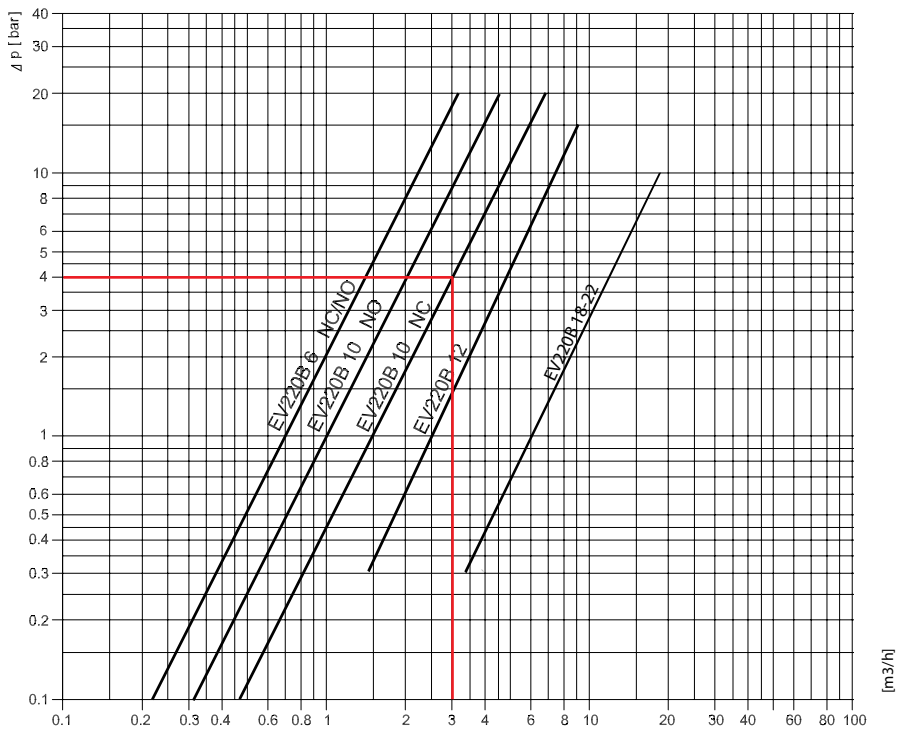


## Electronic timers for coils for pulse start, only IP65

Type	Description	Control [50/60 Hz]	Power cons. Max [W]	Ambient temp. [°C]	Code number
ET 20 M	External adjustable timing from 1 to 45 minutes with 1 to 15 seconds drain open. With manual override (test button) Electrical connection DIN 43650 A / EN 175 301-803-A	24 - 240	20.0	-10 - 50	<b>042N0185</b>

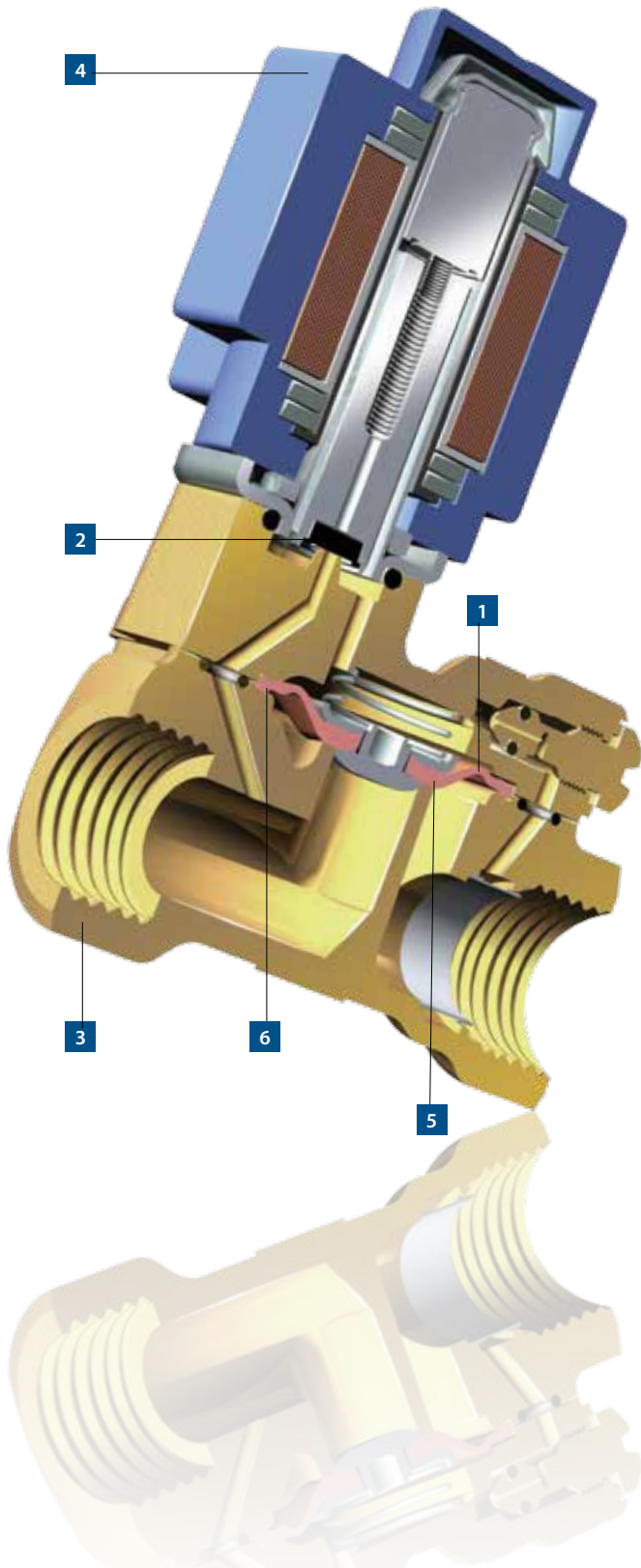
## Capacity diagram for EV220B 6 - EV220B 22:

Example, water: EV220B 10 NC,  
at 4 bar diff. pressure: Approx: 3 m<sup>3</sup>/h



# The EV220B 15-50 for large capacities and damping water hammer

A universal indirect servo-operated 2/2 way solenoid valve range, the EV220B 15-50 is ideal for a wide variety of applications.



## 1 Effective against water hammer

To minimise water hammer, the valve's moulded diaphragm reinforces internal damping, and a special damping cone provides viscous damping in the very late closing stage. The closing speed can be adjusted by changing the equalising orifice.

## 2 Insensitive to dirt

A self-cleaning coaxial filter in the main valve flow prevents dirt entering the pilot system. However, if the equalising orifice does become blocked, the dirt can easily be removed with compressed air.

## 3 Broad temperature and material range

With a range of materials, there is an EV220B 15-50 valve suited to your application. The EV220B 15-50 is available in brass, as well as dezincification resistant brass (DZR) and stainless steel versions for aggressive steam applications.

The EPDM seals remain soft even at -30 °C, while the FKM and NBR rubber seals can handle temperatures up to 140 °C.

## 4 Wide coil range up to IP67

The EV220B range uses the standard B-range of coils from IP00 to IP67. Coils subject to water splash and temperatures up to 80 °C should use the more powerful and robust clip-on coils.

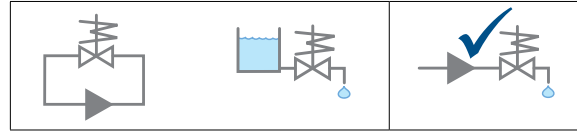
## 5 High capacity across the entire pressure range

The valve body has a smooth internal shape, and the specially designed diaphragm increases the lift height capacity. In indirect servo-operated valves, the kv-value is determined by the diameter of the orifice and the diaphragm lift height.

## 6 Good external tightness even at high differential pressures

Pressure in the valve increases the distance between the valve cover and body, so the moulded diaphragm has a built-in O-ring to avoid leakage. This provides an excellent seal between the valve cover and body even at high pressures, ensuring excellent external tightness.

# EV220B 15-50 servo-operated 2/2-way solenoid valves



-				+
-				+
-				+

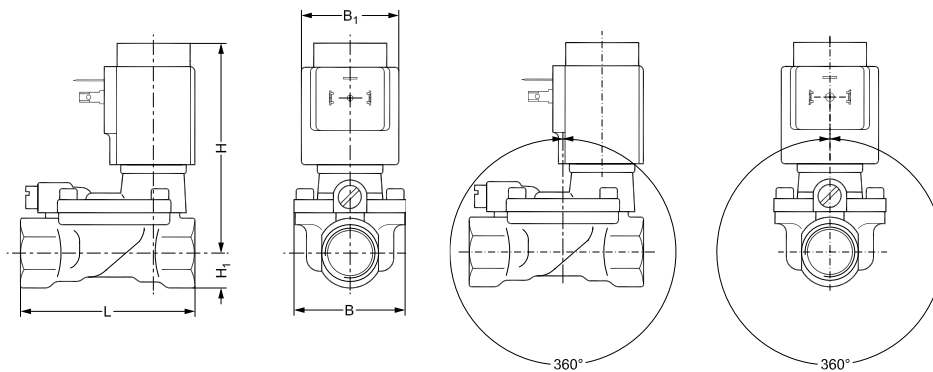
EV220B 15-50 is a universal indirect servo-operated 2/2-way solenoid valve program. Valve body in brass, dezincification resistant brass and stainless steel ensures that a broad variety of application can be covered.

Built-in pilot filter as standard, adjustable closing time and enclosures up to IP67 ensures optimal performance even under critical working conditions.

- 2/2-way
- Servo-operated
- DN 15 – DN 50

- Valve body available in brass, DZR brass, gun metal or stainless steel
- NC and NO versions
- ISO 228/1 or NPT thread connection (EVSI and EVSI-U)
- Built in filter for protection of pilot system
- Water hammer damped
- Adjustable closing time available
- Nominal pressure from PN 10
- Wetted parts: brass, stainless steel, copper, tin, EPDM, FKM or NBR rubber

## Dimensions, weight and mounting angle:



Type / orifice size	L [mm]	B [mm]	B <sub>1</sub> [mm] Coil type		H <sub>1</sub> [mm]	H [mm]	Weight with BB coil [kg]
			BA	BB/BE			
EV220B 15	80	52	32	46	15	99	1.04
EV220B 20	90	58	32	46	18	103	1.24
EV220B 25	109	70	32	46	22	113	1.64
EV220B 32	120	82	32	46	27	120	2.24
EV220B 40	130	95	32	46	32	129	3.46
EV220B 50	162	113	32	46	37	135	4.54

## EV220B 15-50 servo-operated valves with coil and plug, brass, IP65, NC



Type	Connection	Differential pressure [bar]	Kv [m <sup>3</sup> /h]	Media		Seal material	Coil BB		Code number
				Water 90 °C	Oil / Air		[V a.c. 50 Hz]	[V d.c.]	
EV220B 15	G ½	0.3 – 16	4	✓	✓	NBR		24	<b>032U451402</b>
EV220B 15	G ½	0.3 – 16	4	✓	✓	NBR	24		<b>032U451416</b>
EV220B 15	G ½	0.3 – 16	4	✓	✓	NBR	230		<b>032U451431</b>
EV220B 20	G ¾	0.3 – 16	8	✓	✓	NBR		24	<b>032U453002</b>
EV220B 20	G ¾	0.3 – 16	8	✓	✓	NBR	24		<b>032U453016</b>
EV220B 20	G ¾	0.3 – 16	8	✓	✓	NBR	230		<b>032U453031</b>
EV220B 25	G 1	0.3 – 16	11	✓	✓	NBR		24	<b>032U453402</b>
EV220B 25	G 1	0.3 – 16	11	✓	✓	NBR	24		<b>032U453416</b>
EV220B 25	G 1	0.3 – 16	11	✓	✓	NBR	230		<b>032U453431</b>
EV220B 32	G 1 ¼	0.3 – 16	18	✓	✓	NBR		24	<b>032U456802</b>
EV220B 32	G 1 ¼	0.3 – 16	18	✓	✓	NBR	24		<b>032U456816</b>
EV220B 32	G 1 ¼	0.3 – 16	18	✓	✓	NBR	230		<b>032U456831</b>
EV220B 40	G 1 ½	0.3 – 16	24	✓	✓	NBR		24	<b>032U458502</b>
EV220B 40	G 1 ½	0.3 – 16	24	✓	✓	NBR	24		<b>032U458516</b>
EV220B 40	G 1 ½	0.3 – 16	24	✓	✓	NBR	230		<b>032U458531</b>
EV220B 50	G 2	0.3 – 16	40	✓	✓	NBR		24	<b>032U460402</b>
EV220B 50	G 2	0.3 – 16	40	✓	✓	NBR	24		<b>032U460416</b>
EV220B 50	G 2	0.3 – 16	40	✓	✓	NBR	230		<b>032U460431</b>

## EV220B 15-50 servo-operated valves, NC DZR brass, brass or stainless steel (SS)



Type	Connection	Differential pressure [bar]	Kv [m <sup>3</sup> /h]	Water 120 °C	Media		Seal material	Body material			Code number
					Water 90 °C	Oil / Air		DZR	Brass	SS	
EV220B 15	G ½	0.3 – 16	4	✓			EPDM	✓			<b>032U5815</b>
EV220B 15	G ½	0.3 – 16	4	✓			EPDM		✓		<b>032U7115</b>
EV220B 15	G ½	0.3 – 16	4	✓			EPDM			✓	<b>032U8500</b>
EV220B 15	G ½	0.3 – 10	4			✓	FKM		✓		<b>032U7116</b>
EV220B 15	G ½	0.3 – 10	4			✓	FKM			✓	<b>032U8506</b>
EV220B 15	G ½	0.3 – 16	4		✓	✓	NBR		✓		<b>032U7170</b>
EV220B 20	G ¾	0.3 – 16	8	✓			EPDM	✓			<b>032U5820</b>
EV220B 20	G ¾	0.3 – 16	8	✓			EPDM		✓		<b>032U7120</b>
EV220B 20	G ¾	0.3 – 16	8	✓			EPDM			✓	<b>032U8501</b>
EV220B 20	G ¾	0.3 – 10	8			✓	FKM		✓		<b>032U7121</b>
EV220B 20	G ¾	0.3 – 10	8			✓	FKM			✓	<b>032U8507</b>
EV220B 20	G ¾	0.3 – 16	8		✓	✓	NBR		✓		<b>032U7171</b>
EV220B 25	G 1	0.3 – 16	11	✓			EPDM	✓			<b>032U5825</b>
EV220B 25	G 1	0.3 – 16	11				EPDM	✓			<b>032U5825</b>
EV220B 25	G 1	0.3 – 16	11	✓			EPDM		✓		<b>032U7125</b>
EV220B 25	G 1	0.3 – 16	11	✓			EPDM			✓	<b>032U8502</b>
EV220B 25	G 1	0.3 – 10	11			✓	FKM		✓		<b>032U7126</b>
EV220B 25	G 1	0.3 – 10	11			✓	FKM			✓	<b>032U8508</b>
EV220B 25	G 1	0.3 – 16	11		✓	✓	NBR		✓		<b>032U7172</b>
EV220B 32	G 1 ¼	0.3 – 16	18	✓			EPDM	✓			<b>032U5832</b>

## EV220B 15-50 servo-operated valves, NC DZR brass, brass or stainless steel (SS)



Type	Connection	Differential pressure [bar]	Kv [m <sup>3</sup> /h]	Media			Seal material	Body material			Code number
				Water 120 °C	Water 90 °C	Oil / Air		DZR	Brass	SS	
EV220B 32	G 1 ¼	0.3 – 16	18	✓			EPDM		✓		032U7132
EV220B 32	G 1 ¼	0.3 – 16	18	✓			EPDM			✓	032U8503
EV220B 32	G 1 ¼	0.3 – 10	18			✓	FKM		✓		032U7133
EV220B 32	G 1 ¼	0.3 – 10	18			✓	FKM			✓	032U8509
EV220B 32	G 1 ¼	0.3 – 16	18		✓	✓	NBR		✓		032U7173
EV220B 40	G 1 ½	0.3 – 16	24	✓			EPDM	✓			032U5840
EV220B 40	G 1 ½	0.3 – 16	24	✓			EPDM		✓		032U7140
EV220B 40	G 1 ½	0.3 – 16	24	✓			EPDM			✓	032U8504
EV220B 40	G 1 ½	0.3 – 10	24			✓	FKM		✓		032U7141
EV220B 40	G 1 ½	0.3 – 10	24			✓	FKM			✓	032U8510
EV220B 40	G 1 ½	0.3 – 16	24		✓	✓	NBR		✓		032U7174
EV220B 50	G 2	0.3 – 16	40	✓			EPDM	✓			032U5850
EV220B 50	G 2	0.3 – 16	40	✓			EPDM		✓		032U7150
EV220B 50	G 2	0.3 – 16	40	✓			EPDM			✓	032U8505
EV220B 50	G 2	0.3 – 10	40			✓	FKM		✓		032U7151
EV220B 50	G 2	0.3 – 10	40			✓	FKM			✓	032U8511
EV220B 50	G 2	0.3 – 16	40		✓	✓	NBR		✓		032U7175

## EV220B 15-50 servo-operated valves, brass, NO



Type	Connection	Differential pressure [bar]	Kv [m <sup>3</sup> /h]	Media			Seal material	Code number
				Water 120 °C	Water 90 °C	Oil / Air		
EV220B 15	G ½	0.3 – 16	4	✓			EPDM	032U7117
EV220B 15	G ½	0.3 – 16	4		✓	✓	NBR	032U7180
EV220B 20	G ¾	0.3 – 16	8	✓			EPDM	032U7122
EV220B 20	G ¾	0.3 – 16	8		✓	✓	NBR	032U7181
EV220B 25	G 1	0.3 – 16	11	✓			EPDM	032U7127
EV220B 25	G 1	0.3 – 16	11		✓	✓	NBR	032U7182
EV220B 32	G 1 ¼	0.3 – 16	18	✓			EPDM	032U7134
EV220B 32	G 1 ¼	0.3 – 16	18		✓	✓	NBR	032U7183
EV220B 40	G 1 ½	0.3 – 16	24	✓			EPDM	032U7142
EV220B 40	G 1 ½	0.3 – 16	24		✓	✓	NBR	032U7184
EV220B 50	G 2	0.3 – 16	40	✓			EPDM	032U7152
EV220B 50	G 2	0.3 – 16	40		✓	✓	NBR	032U7185

## Coils for EV220B 15 - EV220B 50



Voltage		Frequency [Hz]	Power consumption [W]				BA coil IP00	BB coil IP00 clip-on	BY coil IP65 clip-on	BE coil IP67 clip-on
[V] AC	[V] DC		BA	BB	BY	BE				
24		50	8.5	11	14	12	<b>042N7508</b>	<b>018F7358</b>	<b>018F7655</b>	<b>018F6707</b>
24		60			12			<b>018F7655</b>		
48		50	9.0			11	<b>042N7510</b>			<b>018F6709</b>
110		50		15	14			<b>018F7360</b>	<b>018F7663</b>	
110		60		13				<b>018F7360</b>		
110 - 120		60			14				<b>018F7663</b>	
115		50	9.0	11		11	<b>042N7512</b>	<b>018F7361</b>		<b>018F6711</b>
220 - 230		50	12	11		12	<b>042N7501</b>	<b>018F7351</b>		<b>018F6701</b>
230		50			16				<b>018F7658</b>	
208 - 240		60			14				<b>018F7658</b>	
240		50	10	11		11	<b>042N7502</b>	<b>018F7352</b>		<b>018F6702</b>
380 - 400		50	12	14		14	<b>042N7504</b>	<b>018F7353</b>		<b>018F6703</b>
440		60		15		15		<b>018F7353</b>		<b>018F6703</b>
	12		14	13		15	<b>042N7550</b>	<b>018F7396</b>		<b>018F6756</b>
	24		14	16		13	<b>042N7551</b>	<b>018F7397</b>		<b>018F6757</b>

## Cable plug, IP65 enclosure



To use with all BA, BB and BY coils

**042N0156**

**042N0156**

**042N0156**



To use with BA, BB and BY coils - 24 V AC+DC

**042N0263**

**042N0263**

**042N0263**

To use with BA, BB and BY coils - 230 V AC

**042N0265**

**042N0265**

**042N0265**

No plug  
needed IP67  
terminal box  
fitted as  
standard



## Spare parts for EV220B 15-50

### Spare part kit, NC



Application	Seal material	Code number
EV220B 15	EPDM	032U1071
EV220B 15	FKM	032U1072
EV220B 15	NBR	032U6013
EV220B 20	EPDM	032U1073
EV220B 20	FKM	032U1074
EV220B 20	NBR	032U6014
EV220B 25	EPDM	032U1075
EV220B 25	FKM	032U1076
EV220B 25	NBR	032U6015
EV220B 32	EPDM	032U1077
EV220B 32	FKM	032U1078
EV220B 32	NBR	032U6016
EV220B 40	EPDM	032U1079
EV220B 40	FKM	032U1080
EV220B 40	NBR	032U6017
EV220B 50	EPDM	032U1081
EV220B 50	FKM	032U1082
EV220B 50	NBR	032U6018

### Spare part kit, NO



Application	Seal material	Code number
EV220B 15-50	FKM	032U0295
EV220B 15-50	EPDM	032U0296
EV220B 15-50	NBR	032U0299

### Manual override kit, tool operated



Application	Description	Code number
EV220B 15-50	Manual override kit. Used for manual override in event of power failure. Note: Valve height is increased by 16 mm	032U0150

### Manual override kit, hand operated



Application	Seal material	Description	Code number
EV220B 15-50	EPDM	Manual override kit. Used for manual override in event of power failure. Note: Valve height is increased by 16 mm	032U7390

## Spare parts and accessories for EV220B 15-50



### Isolating diaphragm kits

Application	Seal material	Description	Code number
EV220B 15-50	EPDM	The isolating diaphragm protects the actuator against dirt and corrosion.	<b>042U1009</b>
EV220B 15-50	FKM		<b>042U1010</b>

### Adjustable orifice kit, brass



Application	Seal material	Code number
EV220B 15-50	EPDM	<b>032U0682</b>
EV220B 15-50	NBR	<b>032U0681</b>
EV220B 15-50	FKM	<b>032U0683</b>

### Equalizing orifice



Application	Seal material	Dimension [mm]	Description	Code number
EV220B 25-32	FKM	1.2	The valves closing time can be changed by installing an equalizing orifice of a size which deviates from the standard valve.	<b>032U0085</b>
EV220B 15-20	EPDM	0.5		<b>032U0082</b>
EV220B 25-32-40	EPDM	0.8		<b>032U0084</b>
EV220B 50	EPDM	1.2		<b>032U0086</b>
EV220B 40-50	FKM	1.4		<b>032U0087</b>

### Permanent magnet



Application	Code number
Fits all EV220B valves	<b>018F0091</b>

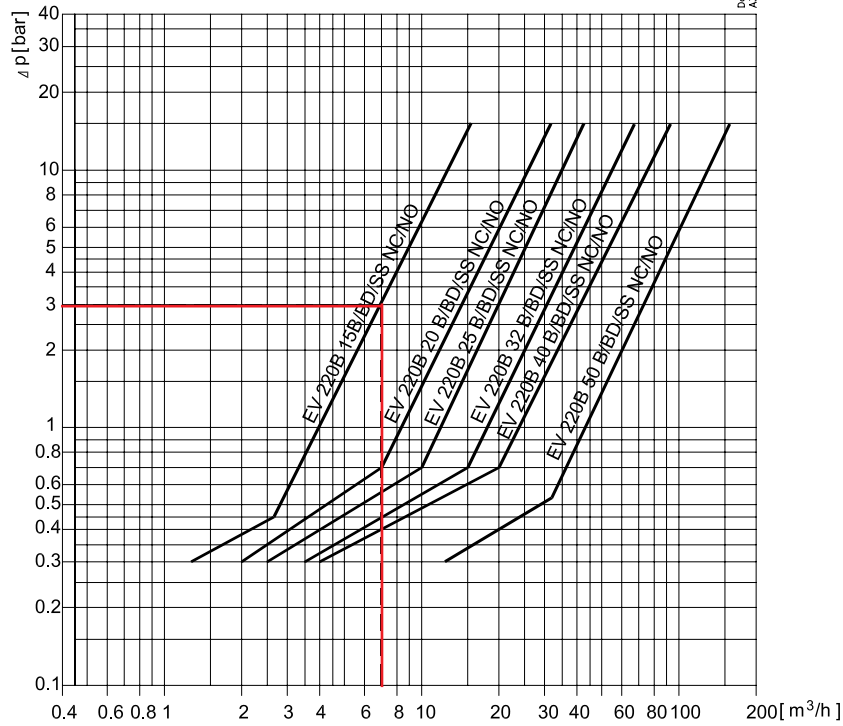
### Electronic timers for coils for pulse start, only IP65



Type	Description	Control [V 50/60 Hz]	Power cons. Max [W]	Ambient temp. [°C]	Code number
ET 20 M	External adjustable timing from 1 – 45 minutes with 1 – 15 seconds drain open. With manual override (test button) Electrical connection DIN 43650 A / EN 175 301-803-A	24 – 240	20.0	-10 – 50	<b>042N0185</b>

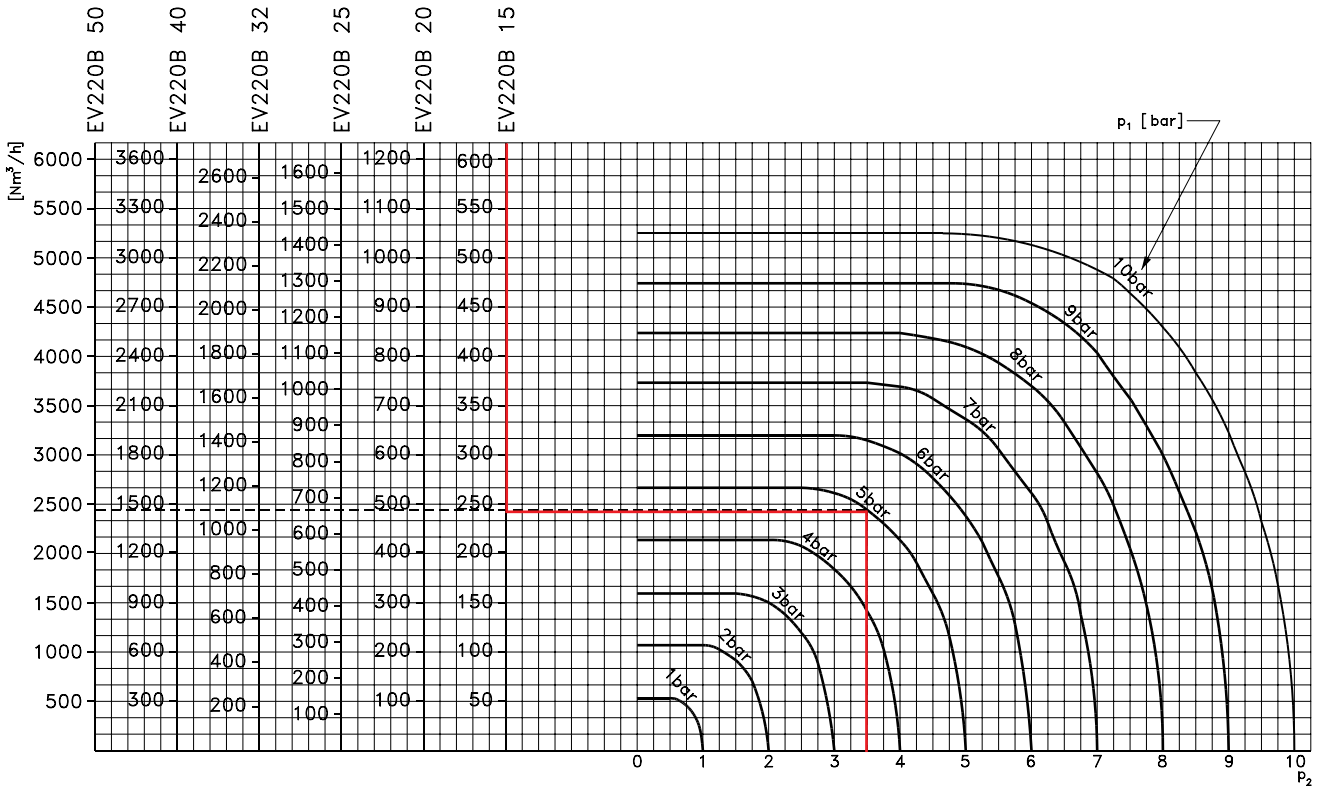
# Capacity diagram for EV220B 15 - EV220B 50:

Example, water:  
Capacity for EV220B 15 at differential pressure of 3 bar. Approx. 7 m<sup>3</sup>/h



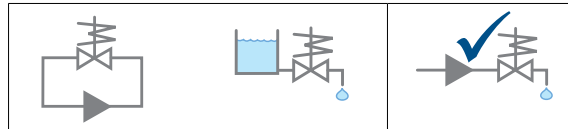
Danfoss  
A32U1266.11

Example, air:  
Capacity for EV220B 15 at inlet pressure ( $p_1$ ) of 5 bar and outlet pressure ( $p_2$ ) of 3.5 bar: Approx. 245 Nm<sup>3</sup>/h



Flow information on other media types: Please contact Danfoss.

# EV220B 65-100 servo-operated 2/2-way solenoid valves



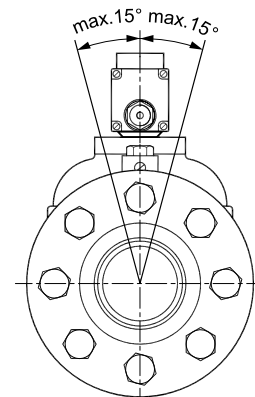
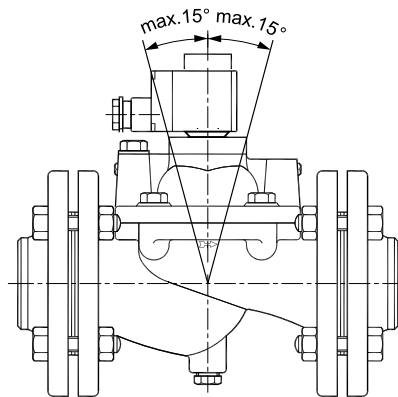
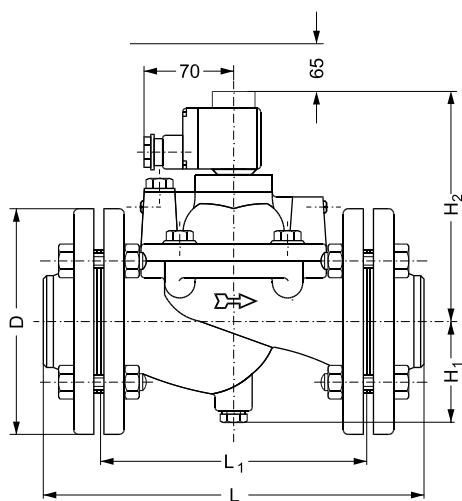
-				+
-				+
-				+

EV220B 65-100 is a 2/2-way solenoid valve program for use in robust industrial applications, demanding high flow rates. The valve is designed with cast iron valve bodies and flanged connection. Water-hammer damped design and built-in pilot filter ensures a reliable operational period.

- 2/2-way
- Servo-operated

- DN 65 – DN 100
- Cast iron valve body
- Flange connection
- Max. medium temperature: 90 °C
- Nominal pressure from PN 10
- Wetted parts: brass, centralen WS 3820 and NBR rubber

## Dimensions, weight and mounting angle:



Type / orifice size	L [mm]	L <sub>1</sub> [mm]	Coil width [mm]		Ø D [mm]	H <sub>1</sub> [mm]	H <sub>2</sub> [mm]	Weight with BE coil [kg]
			10 W a.c.	20 W d.c.				
EV220B 65	320	224	46	66	185	85	185	24
EV220B 80	370	265	46	66	200	93	215	34
EV220B 100	430	315	46	66	220	103	240	44

## EV220B 65-100 servo-operated valves, NC



Type	Connection Flange / [inch]	Kv [m³/h]	Media			Seal material	Body material Cast iron	Differential pressure [bar]	Code number
			Water 120 °C	Water 90 °C	Oil / Air				
EV220B 65	2 ½	50		✓	✓	NBR	✓	0.25 – 10	<b>016D3330</b>
EV220B 65	2 ½	50	✓			EPDM	✓	0.25 – 10	<b>016D6065</b>
EV220B 80	3	75		✓	✓	NBR	✓	0.25 – 10	<b>016D3331</b>
EV220B 80	3	75	✓			EPDM	✓	0.25 – 10	<b>016D6080</b>
EV220B 100	4	130	✓			EPDM	✓	0.25 – 10	<b>016D6100</b>

## Coils for EV220B 65 - EV220B 100



Voltage		Frequency [Hz]	Power consumption [W]		BB coil IP00 clip-on	BE coil IP67 clip-on
[V] AC	[V] DC		BB	BE		
24		50	11	12	<b>018F7358</b>	<b>018F6707</b>
48		50		11	<b>018F6709</b>	<b>018F6709</b>
110		50	15		<b>018F7360</b>	
110		60	13		<b>018F7360</b>	
115		50	11	11	<b>018F7361</b>	<b>018F6711</b>
220 - 230		50	11	12	<b>018F7351</b>	<b>018F6701</b>
240		50	11	11	<b>018F7352</b>	<b>018F6702</b>
380 - 400		50	14	14	<b>018F7353</b>	<b>018F6703</b>
440		60	15	15	<b>018F7353</b>	<b>018F6703</b>
	12	–	13	13	<b>018F7396</b>	<b>018F6756</b>
	24	–	16	16	<b>018F7397</b>	<b>018F6757</b>

## Cable plug, IP65 enclosure



**042N0156**



**042N0263**

**042N0265**

No plug needed - IP67 terminal box fitted as standard

To use with all BB coils

To use with BB coils - 24 V AC+DC

To use with BB coils - 230 V AC

## Accessories for EV220B 65-100 servo-operated valves

### Permanent magnet



Application	Code number
Fits all EV220B valves	<b>018F0091</b>

### Electronic timers for coils for pulse start , only IP65



Type	Description	Control [50/60 Hz]	Power cons. Max [W]	Ambient temp. [°C]	Code number
ET 20 M	External adjustable timing from 1 to 45 minutes with 1 to 15 seconds drain open. With manual override (test button) Electrical connection DIN 43650 A / EN 175 301-803-A	24 - 240	20.0	-10 – 50	<b>042N0185</b>

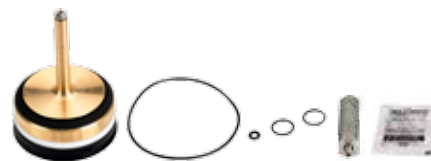
## Spare parts for EV220B 65 - EV220B 100 servo-operated valves



Flange sets. Each set contains 2 flanges.

Application	Connection	Code number
EV220B 65	2½ in. weld	<b>027N3065</b>
EV220B 80	3 in. weld	<b>027N3080</b>
EV220B 100	4 in. weld	<b>027N3100</b>

### Spare part kit



Application	Code number EPDM	Code number NBR
EV220B 65	<b>016D0078</b>	<b>016D0095</b>
EV220B 80	<b>016D0079</b>	<b>016D0096</b>
EV220B 100	<b>016D0080</b>	

### Seal kit



Application	Code number EPDM
EV220B 65	<b>016D0075</b>
EV220B 80	<b>016D0076</b>
EV220B 100	<b>016D0077</b>

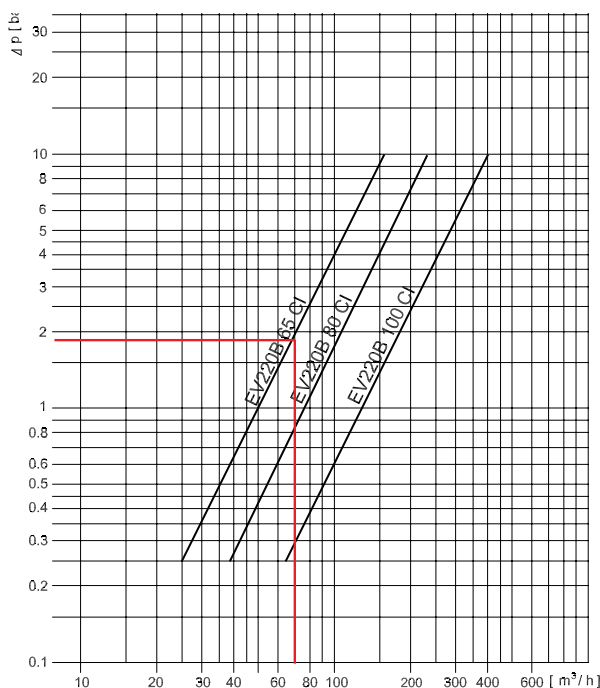
### Manual override kit, hand operated

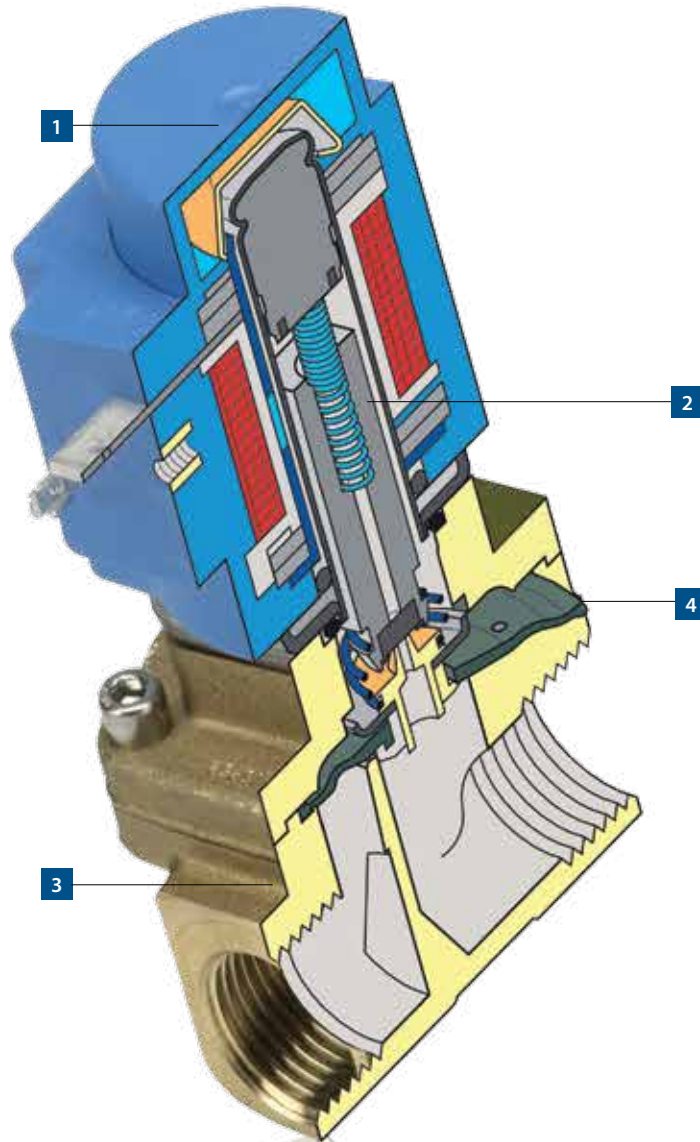


Application	Seal material	Description	Code number
EV220B 65 – EV220B100	EPDM	Manual override kit. Used for manual override in event of power failure. Note: Valve height is increased by 16 mm	<b>032U7390</b>

## Capacity diagram for EV220B 65 – EV220B 100:

Example, water:  
Capacity for EV220B 65-100 at differential pressure of 2 bar: Approx. 70 m<sup>3</sup>/h





## The EV250B for low and unspecified pressure conditions

Designed for closed circuits, the EV250B 2/2-way assisted-lift solenoid valve range damps water hammer at low differential pressure and moderate flow rates.

### 1 Clip-on coil systems

Suitable for clip-on coil systems, the EV250B ensures faultless mounting so that both assembly and dismantling is simple and safe. And when needed, a hermetic seal against moisture penetration gives a tighter seal and a safer and more stable fastening.

### 2 High lift at zero or low differential pressures

High armature lift secures a high opening degree from zero differential pressure.

### 3 For aggressive low-pressure steam

Made from dezincification resistant brass (DZR), the EV250B valve body is suitable for aggressive technical water and steam.

### 4 Good external tightness even at high differential pressures

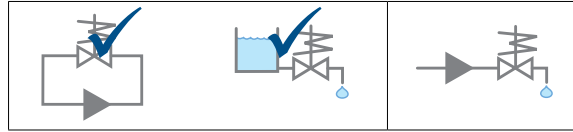
The thick valve cover and moulded diaphragm with built-in o-ring secures an excellent seal between valve cover and body even at high pressure.

### Extra features

The EV250B is available with a range of water approvals, including the British WRAS approval. It is also available with hum-free coils, American NPT threads and UL approval, IP67 protection, EEx coils, and DNV ship approval.



# EV250B assisted lift 2/2-way solenoid valves



-			
-			
-			

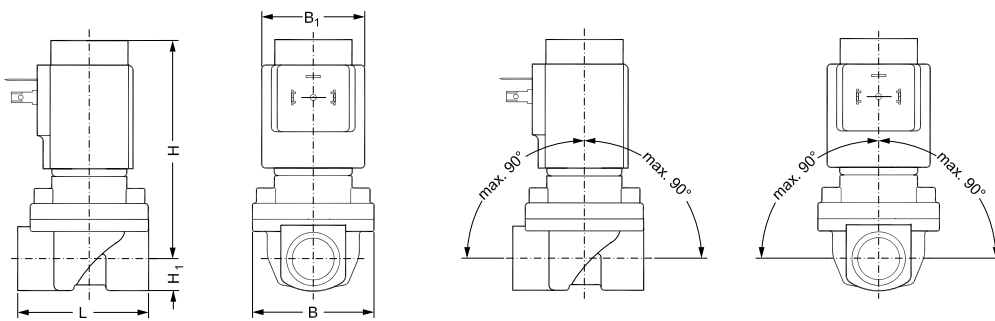
EV250B with assisted lift can operate from zero and up to 10 bar differential pressure.

This 2/2-way valve program is especially to use in closed circuits with low differential pressure, but demanding moderate flow rates. Valve body in dezincification resistant brass for ensuring a long life even in connection with aggressive steam media.

EV250B is compatible with the broad Danfoss coil program with enclosures from IP00 up to IP67. Medium temperatures up to 140 °C (low pressure steam).

- 2/2-way
- Assisted lift
- DN 10 – DN 22
- DZR brass valve body
- NC (normally closed) or NO (normally open)
- From zero differential pressure
- Especially suitable for closed circuits and for emptying tanks
- Available with WRAS, VA and UL approvals
- ISO or NPT thread connections
- Nominal pressure from PN 10
- Wetted parts: brass, stainless steel, copper, EPDM or FKM rubber

## Dimensions, weight and mounting angle:



Type / orifice size	L [mm]	B [mm]	B <sub>1</sub> [mm]		H <sub>1</sub> [mm]	H [mm]	Weight with BB coil [kg]
			Coil type				
G 3/8	58	52.3	46		12.5	91	0.84
G 1/2	58	52.3	46		12.5	91	0.84
G 3/4	90.5	58	46		18	92	1.04
G 1	90	58	46		22.3	96.3	1.34



## EV250B assisted lift valve with coil and plug IP65, DZR brass, NC



Type	Connection	Kv [m <sup>3</sup> /h]	Media		Seal material	Differential pressure [bar]	Coil BB		Code number
			Water 120 °C				[V a.c. 50 Hz]	[V d.c.]	
EV250B 10	G 3/8	2.5	✓		EPDM	0 – 6*		24	<b>032U157102</b>
EV250B 10	G 3/8	2.5	✓		EPDM	0 – 10		24	<b>032U157116</b>
EV250B 10	G 3/8	2.5	✓		EPDM	0 – 10		230	<b>032U157131</b>
EV250B 12	G 1/2	4	✓		EPDM	0 – 6*		24	<b>032U158002</b>
EV250B 12	G 1/2	4	✓		EPDM	0 – 10		24	<b>032U158016</b>
EV250B 12	G 1/2	4	✓		EPDM	0 – 10		230	<b>032U158031</b>
EV250B 18	G 3/4	6	✓		EPDM	0 – 6*		24	<b>032U161402</b>
EV250B 18	G 3/4	6	✓		EPDM	0 – 10		24	<b>032U161416</b>
EV250B 18	G 3/4	6	✓		EPDM	0 – 10		230	<b>032U161431</b>
EV250B 22	G 1	7	✓		EPDM	0 – 6*		24	<b>032U162402</b>
EV250B 22	G 1	7	✓		EPDM	0 – 10		24	<b>032U162416</b>
EV250B 22	G 1	7	✓		EPDM	0 – 10		230	<b>032U162431</b>

\* 6 bar max opening differential pressure is measured at 6% under voltage (22.6 volt d.c. hot coil), 50 °C ambient, 90 °C media temperature and nominal pressure PN 6

## EV250B assisted lift valve with coil and plug IP65, DZR brass, NO



Type	Connection	Kv [m <sup>3</sup> /h]	Media		Seal material	Differential pressure [bar]	Coil BB		Code number
			Water 120 °C				[V a.c. 50 Hz]	[V d.c.]	
EV250B 18	G 3/4	4.9	✓		EPDM	0 – 10		230	<b>032U537431</b>
EV250B 20	G 1	5.2	✓		EPDM	0 – 10		230	<b>032U537631</b>

## EV250B assisted lift valve, DZR brass, NC



Type	Connection	Kv [m <sup>3</sup> /h]	Media		Seal material	Differential pressure [bar]	Code number
			Water 120 °C	Oil / Air			
EV250B 10	G 3/8	2.5	✓		EPDM	0 – 10	<b>032U5250</b>
EV250B 10	G 3/8	2.5		✓	FKM	0 – 10	<b>032U5251</b>
EV250B 12	G 1/2	4	✓		EPDM	0 – 10	<b>032U5252</b>
EV250B 12	G 1/2	4		✓	FKM	0 – 10	<b>032U5253</b>
EV250B 18	G 3/4	6	✓		EPDM	0 – 10	<b>032U5254</b>
EV250B 18	G 3/4	6		✓	FKM	0 – 10	<b>032U5255</b>
EV250B 22	G 1	7	✓		EPDM	0 – 10	<b>032U5256</b>
EV250B 22	G 1	7		✓	FKM	0 – 10	<b>032U5257</b>

## EV250B assisted lift valve, DZR brass, NO



Type	Connection	Kv [m <sup>3</sup> /h]	Media		Seal material	Differential pressure [bar]	Code number
			Water 120 °C				
EV250B 10	G 3/8	2.5	✓		EPDM	0 – 10	<b>032U5350</b>
EV250B 12	G 1/2	4	✓		EPDM	0 – 10	<b>032U5352</b>
EV250B 18	G 3/4	4.9	✓		EPDM	0 – 10	<b>032U5354</b>
EV250B 22	G 1	5.2	✓		EPDM	0 – 10	<b>032U5356</b>

## Coils for EV250B



Voltage		Frequency [Hz]	Power consumption [W]			BB coil	BY coil	BE coil
[V] AC	[V] DC		BB	BY	BE	IP00 clip-on	IP65 clip-on	IP67 clip-on
24		50	11	14	12	<b>018F7358</b>	<b>018F7655</b>	<b>018F6707</b>
24		60		12			<b>018F7655</b>	
48		50			11			<b>018F6709</b>
110		50	15	14		<b>018F7360</b>	<b>018F7663</b>	
110		60	13			<b>018F7360</b>		
110 - 120		60		14			<b>018F7663</b>	
115		50	11		11	<b>018F7361</b>		<b>018F6711</b>
220 - 230		50	11		12	<b>018F7351</b>		<b>018F6701</b>
230		50		16			<b>018F7658</b>	
208 - 240		60		14			<b>018F7658</b>	
240		50	11		11	<b>018F7352</b>		<b>018F6702</b>
380 - 400		50	14		14	<b>018F7353</b>		<b>018F6703</b>
440		60			15	<b>018F7353</b>		<b>018F6703</b>
	12		13		15	<b>018F7396</b>		<b>018F6756</b>
	24		16		13	<b>018F7397</b>		<b>018F6757</b>

## Cable plug, IP65 enclosure

To use with all BB and BY coils



**042N0156**

**042N0156**



**042N0263**

**042N0263**

To use with BB and BY coils - 24 V AC+DC

To use with BB and BY coils - 230 V AC

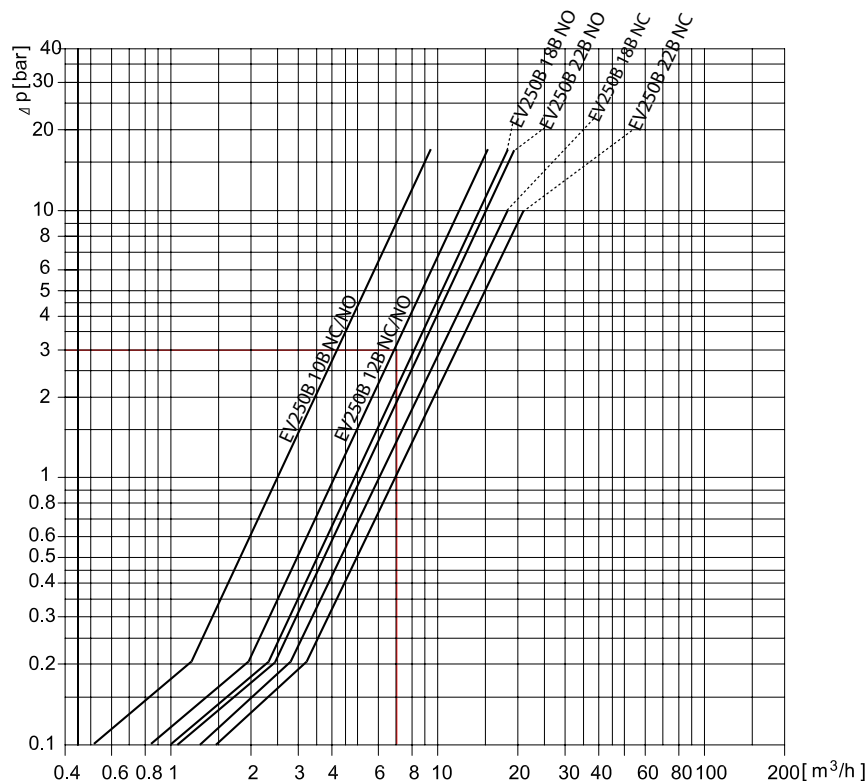
**042N0265**

**042N0265**

No plug needed IP67 terminal box fitted as standard

## Capacity diagram for solenoid valve EV250B

Example, water: EV250B 12  
at differential pressure of 3 bar:  
Approx. 7 m<sup>3</sup>/h



## Spare parts and accessories for EV250B



### Spare part kits for EV250B EPDM NC

Application	Seal material	Code number
EV250B 10-12	EPDM	<b>032U5315</b>
EV250B 18-22	EPDM	<b>032U5317</b>



### Spare part kits for EV250B FKM NC

Application	Seal material	Code number
EV250B 10-12	FKM	<b>032U5271</b>
EV250B 18-22	FKM	<b>032U5273</b>



### Sparepart kits for EV250B NO

Application	Seal material	Code number
EV250B 10-12	EPDM	<b>032U5319</b>
EV250B 10-12	FKM	<b>032U5320</b>
EV250B 18-22	EPDM	<b>032U5321</b>
EV250B 18-22	FKM	<b>032U5322</b>

### Permanent magnet



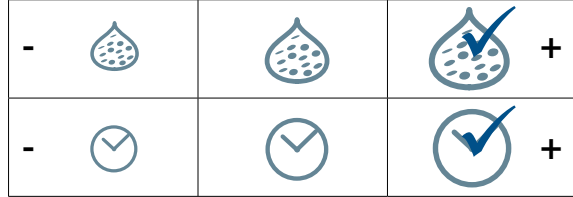
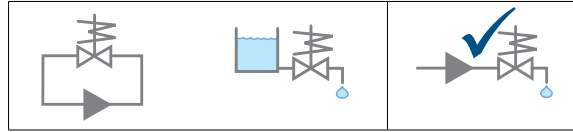
Description	Code number
Fits all EV250B valves	<b>018F0091</b>

### Electronic timers for coils for pulse start, only IP65



Type	Description	Control [50/60 Hz]	Power cons. Max [W]	Ambient temp. [°C]	Code number
ET 20 M	External adjustable timing from 1 to 45 minutes with 1 to 15 seconds drain open. With manual override (test button) Electrical connection DIN 43650 A / EN 175 301-803-A	24 - 240	20.0	-10 – 50	<b>042N0185</b>

# EV224B servo-operated 2/2-way solenoid valves for high pressure air

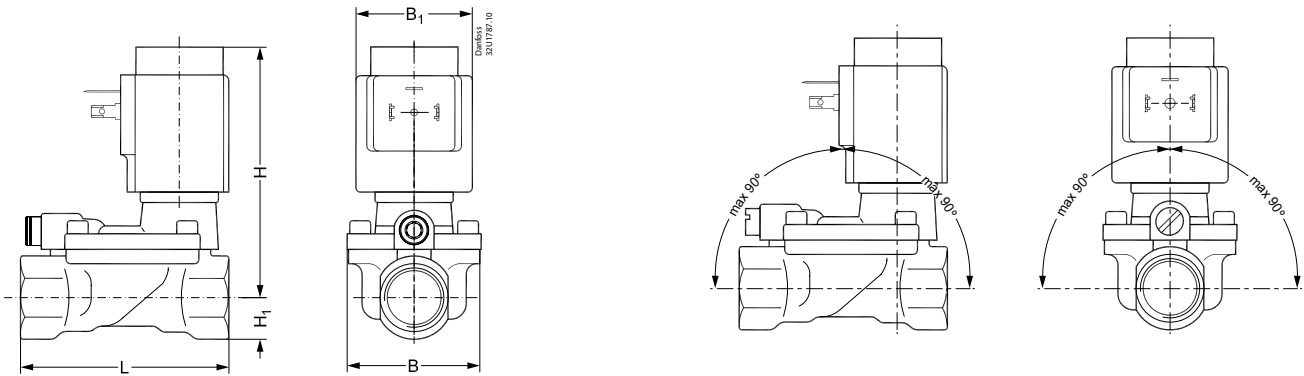


EV224B is a high pressure indirect servo-operated 2/2-way solenoid valve with working pressure up to 40 bar, medium temperature up to 60 °C and available in NC and NO versions. Built-in pilot filter as standard, adjustable closing time, enclosures up to IP67 (depending on coil) ensure a reliable and satisfactory function.

- For high pressure air applications up to 40 bar
- 2/2-way
- Servo-operated

- DN 15 – DN 25
- Ambient temperature: 80 °C
- NC and NO versions
- Brass valve body
- Built in filter for protection of pilot system
- Based on proven EV220B technology
- Nominal pressure from PN 40
- Wetted parts: brass, stainless steel, copper, tin, PTFE (only NO) and NBR rubber

## Dimensions, weight and mounting angle:



Type	L [mm]	B [mm]	B <sub>1</sub> [mm]	H <sub>1</sub> [mm]	H [mm]	Weight with BB coil [kg]
			Coil type BB/BE			
EV224B 15	80.0	52.0	46	15.0	99.0	1.04
EV224B 20	90.0	58.0	46	18.0	103.0	1.24
EV224B 25	109.0	70.0	46	22.0	113.0	1.64

## EV224B servo-operated valves, NC



Type	Connection	Kv [m <sup>3</sup> /h]	Seal material	Media		Body material	Differential pressure [bar]	Code number
				Air	60 °C			
EV224B 15	G ½	4	NBR	✓	✓	Brass	0.3 – 40	<b>032U8360</b>
EV224B 20	G ¾	8	NBR	✓	✓	Brass	0.3 – 40	<b>032U8362</b>
EV224B 25	G 1	11	NBR	✓	✓	Brass	0.3 – 40	<b>032U8364</b>

## EV224B servo-operated valves, NO



Type	Connection	Kv [m <sup>3</sup> /h]	Seal material	Media		Body material	Differential pressure [bar]	Code number
				Air	60 °C			
EV224B 15	G ½	4	NBR	✓	✓	Brass	0.3 – 40	<b>032U8361</b>
EV224B 20	G ¾	8	NBR	✓	✓	Brass	0.3 – 40	<b>032U8363</b>
EV224B 25	G 1	11	NBR	✓	✓	Brass	0.3 – 40	<b>032U8365</b>

## Coils for EV220B 65 - EV220B 100



Voltage		Frequency [Hz]	Power consumption [W]		BB coil IP00 clip-on	BE coil IP67 clip-on
[V] AC	[V] DC		BB	BE		
24		50	11	12	<b>018F7358</b>	<b>018F6707</b>
48		50		11		<b>018F6709</b>
110		50	15		<b>018F7360</b>	
110		60	13		<b>018F7360</b>	
115		50	11	11	<b>018F7361</b>	<b>018F6711</b>
220 - 230		50	11	12	<b>018F7351</b>	<b>018F6701</b>
240		50	11	11	<b>018F7352</b>	<b>018F6702</b>
380 - 400		50	14	14	<b>018F7353</b>	<b>018F6703</b>
440		60	15	15	<b>018F7353</b>	<b>018F6703</b>
	12	–	13	13	<b>018F7396</b>	<b>018F6756</b>
	24	–	16	16	<b>018F7397</b>	<b>018F6757</b>

## Cable plug, IP65 enclosure

To use with all BB coils



**042N0156**

To use with BB coils - 24 V AC+DC



**042N0263**

To use with BB coils - 230 V AC

**042N0265**

No plug needed -  
IP67 terminal box  
fitted as standard

## Spare parts and accessories for EV224B

### Electronic timers for coils for pulse start, only IP65



Type	Description	Control [50/60 Hz]	Power cons. Max [W]	Ambient temp. [°C]	Code number
ET 20 M	External adjustable timing from 1 to 45 minutes with 1 to 15 seconds drain open. With manual override (test button) Electrical connection DIN 43650 A / EN 175 301-803-A	24 - 240	20.0	-10 - 50	<b>042N0185</b>

### Spare part kits, NC



Application	Seal material	Code number
EV224B 15	NBR	<b>032U6156</b>
EV224B 20	NBR	<b>032U6158</b>
EV224B 25	NBR	<b>032U6160</b>

### Spare part kits, NO



Application	Seal material	Code number
EV224B 15	NBR	<b>032U6157</b>
EV224B 20	NBR	<b>032U6159</b>
EV224B 25	NBR	<b>032U6161</b>

### Spare part kits for synthetic oil, NC/NO



Application	Seal material	Code number
EV224B 15	FKM	<b>032U8118</b>
EV224B 20	FKM	<b>032U8119</b>

# EV225B servo-operated 2/2-way solenoid valves for steam

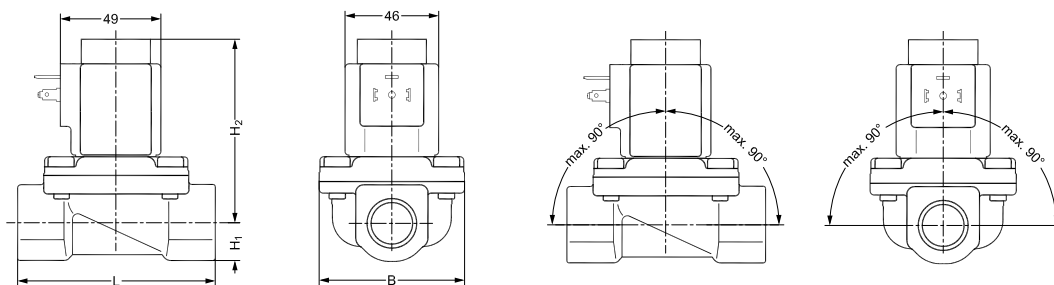


-			+
-			+

EV225B is a servo-operated 2/2-way solenoid valve for use in steam application. The design is based on a PTFE diaphragm concept, ensuring high reliable function even in connection with contaminated steam. Valve body in dezincification resistant brass and valve seats made in stainless steel for ensuring a long life even in connection with aggressive steam media.

- 2/2-way
- Specifically designed for steam applications, 160 °C or 185 °C
- Servo-operated
- DN 6 – DN 25
- Ambient temperature: 40 °C
- G 1/4" – G 1"
- DZR brass valve body
- NC (normally closed)
- ISO 228/1 or UL listed version with NPT for North America (EVSIS/UL)

## Dimensions, weight and mounting angle:



Type / orifice size	L [mm]	B [mm]	H [mm]	H <sub>1</sub> [mm]	H <sub>2</sub> [mm]	Weight with BQ/BB coil [kg]	Weight with BN coil [kg]
EV225B 6	62	46	98	13	85	0.75	1.03
EV225B 10	62	46	98	13	85	0.72	1.00
EV225B 15	81	56	102	15	87	0.86	1.14
EV225B 20	98	72	110	18	92	1.40	1.68
EV225B 25	106	72	117	21	96	1.70	1.98

## EV225B servo operated steam valve with BQ coil and plug, DZR brass, NC



Type	Connection	Kv [m <sup>3</sup> /h]	BQ coil, 10 W a.c.		24 V 50 Hz	110 V 60 Hz	230 V 50 Hz	220 V 60Hz	Code number
			Temp. max [°C]	Diff. pressure [bar]					
EV225B 10	G 1/2	2.2	185	0.2 – 10	✓				<b>032U380416</b>
EV225B 15	G 1/2	3.0	185	0.2 – 10	✓				<b>032U380516</b>
EV225B 20	G 3/4	5.0	185	0.2 – 10	✓				<b>032U380616</b>
EV225B 25	G 1	6.0	185	0.2 – 10	✓				<b>032U380716</b>
EV225B 10	G 1/2	2.2	185	0.2 – 10		✓			<b>032U380420</b>
EV225B 15	G 1/2	3.0	185	0.2 – 10		✓			<b>032U380520</b>
EV225B 20	G 3/4	5.0	185	0.2 – 10		✓			<b>032U380620</b>
EV225B 25	G 1	6.0	185	0.2 – 10		✓			<b>032U380720</b>
EV225B 10	G 1/2	2.2	185	0.2 – 10			✓		<b>032U380431</b>
EV225B 15	G 1/2	3.0	185	0.2 – 10			✓		<b>032U380531</b>
EV225B 20	G 3/4	5.0	185	0.2 – 10			✓		<b>032U380631</b>
EV225B 25	G 1	6.0	185	0.2 – 10			✓		<b>032U380731</b>
EV225B 10	G 1/2	2.2	185	0.2 – 10				✓	<b>032U380429</b>
EV225B 15	G 1/2	3.0	185	0.2 – 10				✓	<b>032U380529</b>
EV225B 20	G 3/4	5.0	185	0.2 – 10				✓	<b>032U380629</b>
EV225B 25	G 1	6.0	185	0.2 – 10				✓	<b>032U380729</b>

## EV225B servo operated steam valve with BN coil and plug, DZR brass, NC



Type	Connection	Kv [m <sup>3</sup> /h]	BN coil, 20 W		24 V d.c.	Code number
			Temp. max [°C]	Diff. pressure [bar]		
EV225B 10	G 1/2	2.2	160	0.2 – 5	✓	<b>032U380402</b>
EV225B 15	G 1/2	3.0	160	0.2 – 5	✓	<b>032U380502</b>
EV225B 20	G 3/4	5.0	160	0.2 – 5	✓	<b>032U380602</b>
EV225B 25	G 1	6.0	160	0.2 – 5	✓	<b>032U380702</b>

## EV225B servo-operated steam valve, DZR brass, NC, PTFE seal material



Type	Connection	Kv [m <sup>3</sup> /h]	BQ coil, 10 W a.c.		BN coil, 20 W d.c.		BB coil, 10 W a.c.		BB coil, 18 W d.c.		Code number
			Temp. max [°C]	Diff. pressure [bar]	Temp. max [°C]	Diff. pressure [bar]	Temp. max [°C]	Diff. pressure [bar]	Temp. max [°C]	Diff. pressure [bar]	
EV225B 6	G 1/4	0.9	185	0.2 – 10	160	0.2 – 5	160	0.2 – 5	140	0.2 – 3.6	<b>032U3802</b>
EV225B 10	G 3/8	2.2	185	0.2 – 10	160	0.2 – 5	160	0.2 – 5	140	0.2 – 3.6	<b>032U3803</b>
EV225B 10	G 1/2	2.2	185	0.2 – 10	160	0.2 – 5	160	0.2 – 5	140	0.2 – 3.6	<b>032U3804</b>
EV225B 15	G 1/2	3.0	185	0.2 – 10	160	0.2 – 5	160	0.2 – 5	140	0.2 – 3.6	<b>032U3805</b>
EV225B 20	G 3/4	5.0	185	0.2 – 10	160	0.2 – 5	160	0.2 – 5	140	0.2 – 3.6	<b>032U3806</b>
EV225B 25	G 1	6.0	185	0.2 – 10	160	0.2 – 5	160	0.2 – 5	140	0.2 – 3.6	<b>032U3807</b>



## Coils for EV225B



Voltage		Frequency [Hz]	Power consumption [W]		BQ coil, AC 10 bar, 185 °C IP65 clip-on	BN coil, DC 5 bar, 160 °C IP65 clip-on
[V] AC	[V] DC		BQ	BN		
24		50	10		<b>018F4517</b>	
24		60	9.0		<b>018F4517</b>	
110		50	13.5		<b>018F4519</b>	
230		50	10		<b>018F4511</b>	
208 – 240		60	9.5		<b>018F4511</b>	
240		50				
	24	–		20		<b>018F6968</b>

## Cable plug, IP65 enclosure



To use with all BQ and BN coils

**042N0156**

**042N0156**

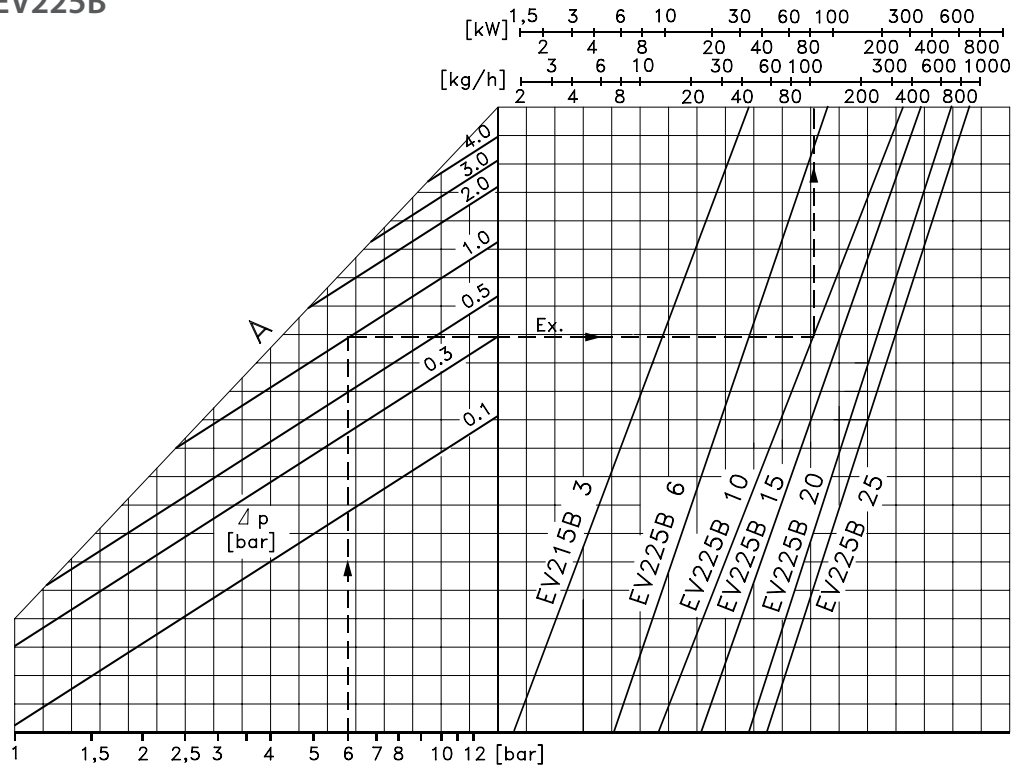
## Spare part kits



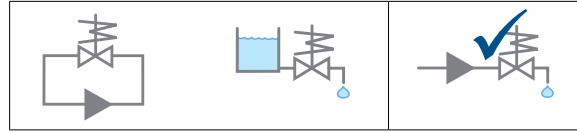
Application	Seal material	Code number
EV225B 6 - EV225B 10	PTFE	<b>032U3171</b>
EV225B 15	PTFE	<b>032U3172</b>
EV225B 20 - EV225B 25	PTFE	<b>032U3173</b>

# Capacity diagram for EV225B

Example, steam:  
 Capacity for EV225 10 BD; inlet pressure ( $p_1$ ) of 6 bar absolute; differential pressure at 1 bar:  
 Approx. 100 kg/h / 80 kW



# EV260B servo-operated 2-way proportional solenoid valves



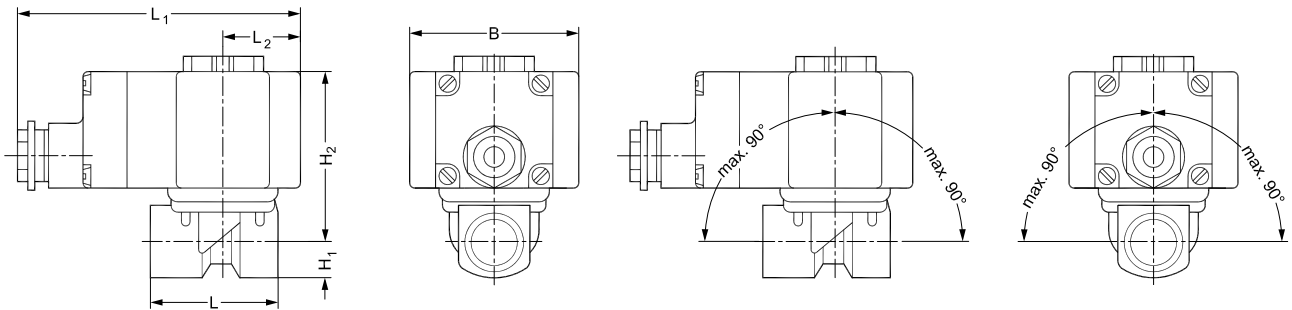
-			
-			
-			

EV260B is a proportional (modulating) servo-operated 2-way solenoid valve program with connections from 1/4" to 3/4". Through stepless regulation of the coil current, the armature can be placed in any position in the armature tube, thus setting the valve to any position between completely closed and completely open. The valve is fully open when the coil current has reached its maximum value.

- Proportional (modulating)
- For stepless flow regulation
- 2-way
- Servo-operated

- DN 6 - DN 20
- Ambient temperature: 50 °C
- Short reaction time
- Linear characteristic throughout the regulation range
- Closes on power failure (fail-safe function)
- IP67 coil enclosure
- 24 V d.c. supply voltage
- This product is only applicable for liquids
- Nominal pressure from PN 10
- Wetted parts: brass, stainless steel, PTFE, CR, NBR or FKM rubber

## Dimensions, weight and mounting angle:



Type / orifice size	L [mm]	L <sub>1</sub> [mm]	L <sub>2</sub> [mm]	H <sub>1</sub> [mm]	H <sub>2</sub> [mm]	B [mm]	Weight without signal converter [kg]	Weight with signal converter [kg]
EV260B 6	62	112 <sup>1)</sup>	30	13	71	68	1.02	1.22
EV260B 10	62	112 <sup>1)</sup>	30	13	71	68	1.02	1.22
EV260B 15	81	112 <sup>1)</sup>	30	15	74	68	1.17	1.37
EV260B 20	98	112 <sup>1)</sup>	30	18	79	68	1.71	1.91

1) With the BM and the BL coil the measurement is 128 mm

## EV260B proportional valve, brass, NC



Type	Connection	Kv [m <sup>3</sup> /h]	Seal material	Medium water [°C]	Differential pressure [bar]	Code number
EV260B 6	G ¼	0.8	PTFE	-10 – 80	0.5 – 10	<b>032U8052</b>
EV260B 6	G ⅜	0.8	PTFE	-10 – 80	0.5 – 10	<b>032U8053</b>
EV260B 10	G ⅜	1.3	PTFE	-10 – 80	0.5 – 10	<b>032U8054</b>
EV260B 10	G ½	1.3	PTFE	-10 – 80	0.5 – 10	<b>032U8055</b>
EV260B 15	G ½	2.1	PTFE	-10 – 80	0.5 – 10	<b>032U8056</b>
EV260B 20	G ¾	5	PTFE	-10 – 80	0.5 – 10	<b>032U8057</b>

## Coils for EV260B



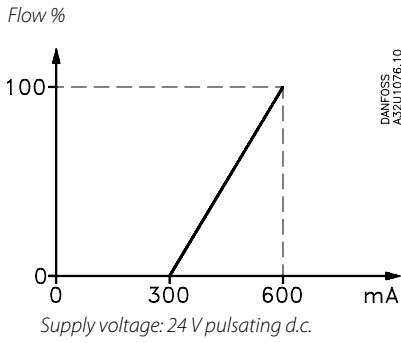
Voltage [d.c.]	BK coil 300-600 mA <b>018Z6987</b>	BM coil 0-10 V <b>018Z0290</b>	BL coil 4-20 mA <b>018Z0291</b>
24	IP67 terminal box fitted as standard	IP67 terminal box fitted as standard	IP67 terminal box fitted as standard

## Spare part kits for EV260B

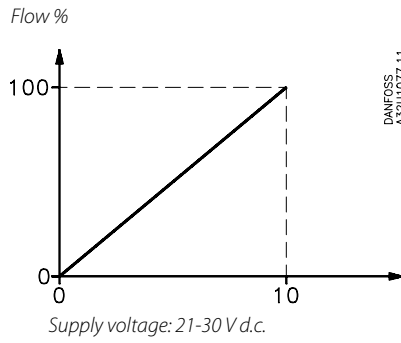


Application	Seal material	Code number
EV260B 6	PTFE	<b>032U8039</b>
EV260B 10	PTFE	<b>032U8040</b>
EV260B 15	PTFE	<b>032U8041</b>
EV260B 20	PTFE	<b>032U8042</b>

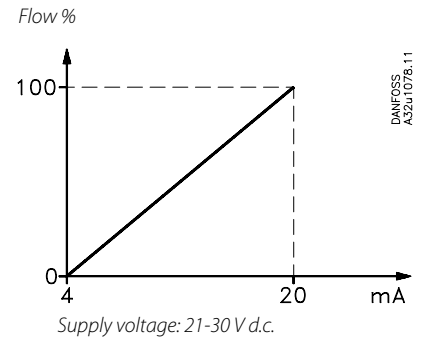
# Signal flow characteristics for EV260B



Coil type BK. Without signal converter  
The basic version consists of a valve with a coil for pulsating direct current. The supply voltage of 24V d.c. can be established with full-wave rectified alternating current. The valve begins to open at a coil current of approx. 300 mA and is fully open at a coil current of approx. 600 mA. The ration between coil current and flow between the two outer points is directly proportional.



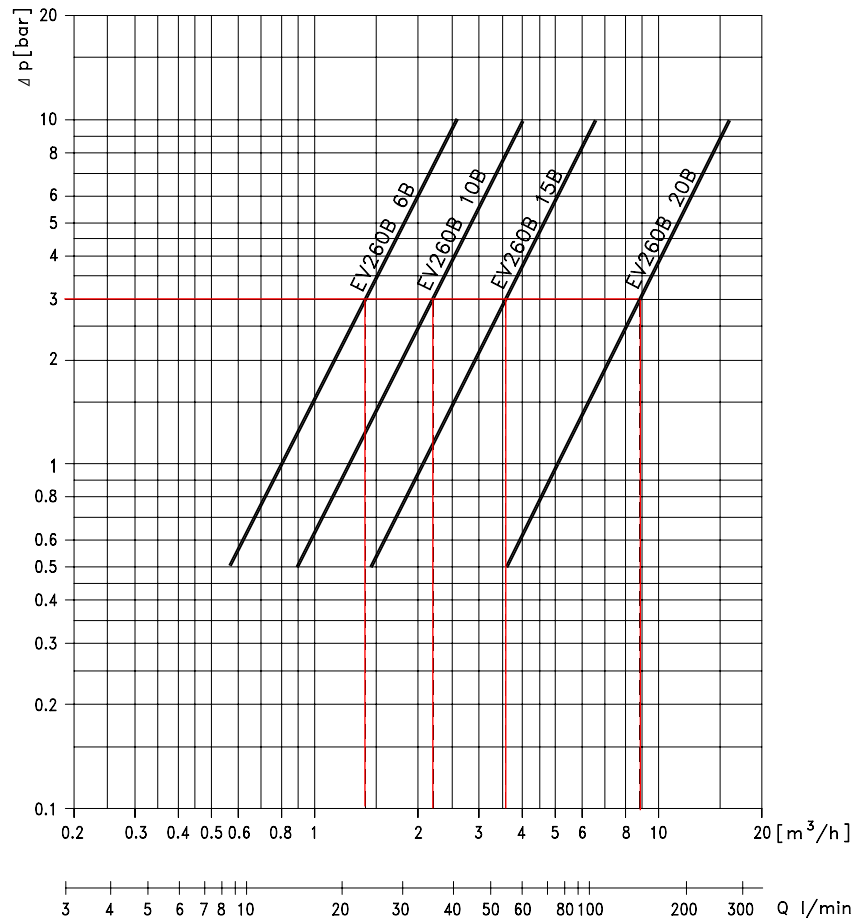
Coil type BM. With signal converter and 0-10 V pilot signal.  
The ration between pilot signal and flow is directly proportional throughout the regulation range.



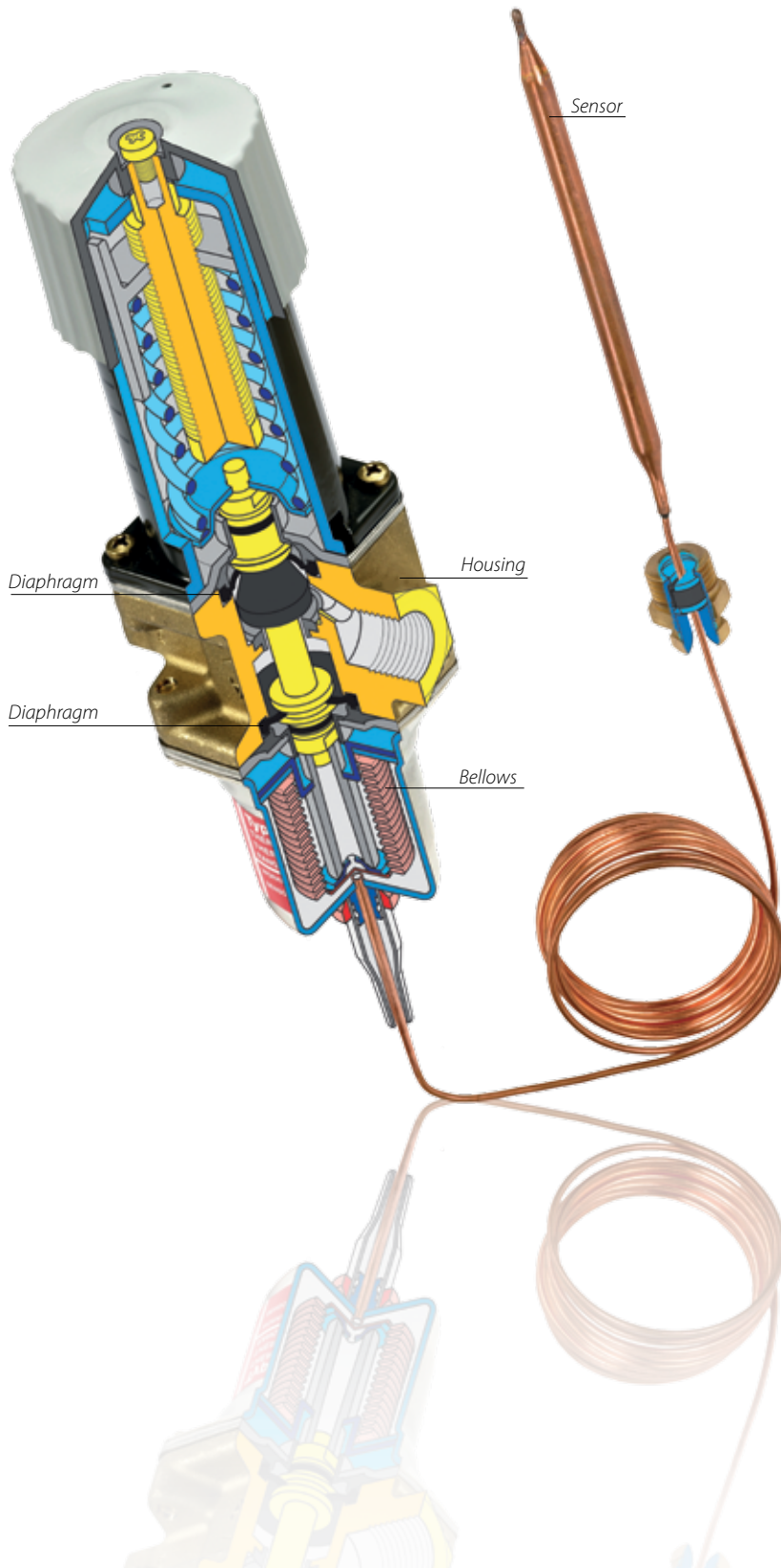
Coil type BL. With signal converter and 4-20 mA pilot signal.  
The ration between pilot signal and flow is directly proportional throughout the regulation range.

# Capacity diagram for EV260B

For water at fully opened valve  
Example: Differential pressure of 3 bar:  
EV260B 6 B: Appr. 1.4 m<sup>3</sup>/h  
EV260B 10 B: Appr. 2.2 m<sup>3</sup>/h  
EV260B 15 B: Appr. 3.6 m<sup>3</sup>/h  
EV260B 20 B: Appr. 8.7 m<sup>3</sup>/h



# The 'fit and forget' AVTA thermostatic valve



A self-acting thermostatic valve, the AVTA controls the temperature in cooling water applications. Often referred to as the 'fit and forget' valve due to its proven reliability, the AVTA is easy to install and functions without electrical power.

### **Self-acting - no electricity required**

The AVTA does not require electricity to function because a temperature-dependent pressurised charge or vapour charge provides accurate flow control based on the sensor temperature. And because it needs no power supply, it keeps working as long as the coolant is pressurised.

### **Exact temperature control**

Designed for low hysteresis, the hermetically-sealed thermostatic element consists of a cylindrical sensor connected to a bellows with a capillary tube.

### **Dirt resistant**

The force-balanced design prevents particles from adhering to the large valve opening. But if dirt does become lodged in the valve, the sensor simply detects that more cooling water is needed and the valve opens wider to allow more water to pass and dislodge the particles.

### **Insensitive to pressure**

Pressure equalising diaphragms ensure reliable function across the entire pressure range – from zero to ten bar pressure – by balancing the forces on the bellows and setting sections. And with reinforced EPDM diaphragms, the valve can take up to 25 bar pressure.

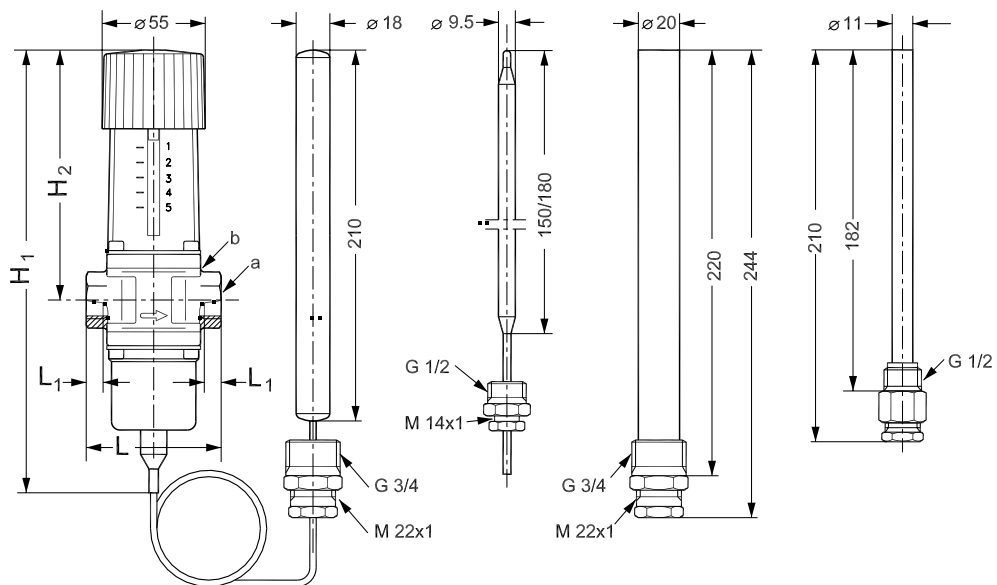
# AVTA thermostatic valves for industrial cooling applications



AVTA thermostatic valves are widely used for temperature control in many different sorts of equipment and installations where cooling is required.

- Self-acting thermostatic valves for accurate cooling flow control based on sensor temperature
- Capillary sensor with adsorption charge, mass charge or universal charge, depending on application
- Open on rising temperature
- Brass or stainless steel valve body
- For extremely aggressive media, also available in titanium (please contact Danfoss)

## Dimensions, weight and mounting angle:




All dimensions in millimetres

Brass Type	H <sub>1</sub> [mm]	H <sub>2</sub> [mm]	L [mm]	L <sub>1</sub> [mm]	a	b [mm]	Weight [kg]
AVTA 10	240	133	72	14	G 3/8	27	1.45
AVTA 15	240	133	72	14	G 1/2	27	1.45
AVTA 20	240	133	90	16	G 3/4	32	1.50
AVTA 25	240	138	95	19	G 1	41	1.65




## AVTA thermostatic valve

### Adsorption charge. Brass valve body




Type	Connection	Temperature setting range [°C]	Max sensor temperature [°C]	Kv [m <sup>3</sup> /h]	Sensor dimensions Ø x L [mm]	Capillary tube, length [m]	Code number
AVTA 10	G 3/8	10 – 80	130	1.4	9.5 x 150	2.3	<b>003N1144</b>
AVTA 15	G 1/2	10 – 80	130	1.9	9.5 x 150	2.3	<b>003N0107</b>
AVTA 20	G 3/4	10 – 80	130	3.4	9.5 x 150	2.3	<b>003N0108</b>
AVTA 25	G 1	10 – 80	130	5.5	9.5 x 150	2.3	<b>003N0109</b>

### Universal charge. Brass valve body




Type	Connection	Temperature setting range [°C]	Max sensor temperature [°C]	Kv [m <sup>3</sup> /h]	Sensor dimensions Ø x L [mm]	Capillary tube, length [m]	Code number
AVTA 10	G 3/8	0 – 30	57	1.4	18 x 210	2	<b>003N1132</b>
AVTA 15	G 1/2	0 – 30	57	1.9	18 x 210	2	<b>003N2132</b>
AVTA 20	G 3/4	0 – 30	57	3.4	18 x 210	2	<b>003N3132</b>
AVTA 25	G 1	0 – 30	57	5.5	18 x 210	2	<b>003N4132</b>
AVTA 10	G 3/8	25 – 65	90	1.4	18 x 210	2	<b>003N1162</b>
AVTA 15	G 1/2	25 – 65	90	1.9	18 x 210	2	<b>003N2162</b>
AVTA 20	G 3/4	25 – 65	90	3.4	18 x 210	2	<b>003N3162</b>
AVTA 25	G 1	25 – 65	90	5.5	18 x 210	2	<b>003N4162</b>
AVTA 10	G 3/8	50 – 90	125	1.4	18 x 210	2	<b>003N1182</b>
AVTA 15	G 1/2	50 – 90	125	1.9	18 x 210	2	<b>003N2182</b>
AVTA 20	G 3/4	50 – 90	125	3.4	18 x 210	2	<b>003N3182</b>
AVTA 25	G 1	50 – 90	125	5.5	18 x 210	2	<b>003N4182</b>

### Mass charge. Brass valve body



Type	Connection	Temperature setting range [°C]	Max sensor temperature [°C]	Kv [m <sup>3</sup> /h]	Sensor dimensions Ø x L [mm]	Capillary tube, length [m]	Code number
AVTA 15	G 1/2	0 – 30	57	1.9	9.5 x 180	2	<b>003N0042</b>
AVTA 20	G 3/4	0 – 30	57	3.4	9.5 x 180	2	<b>003N0043</b>
AVTA 15	G 1/2	25 – 65	90	1.9	9.5 x 180	2	<b>003N0045</b>
AVTA 20	G 3/4	25 – 65	90	3.4	9.5 x 180	2	<b>003N0046</b>
AVTA 25	G 1	25 – 65	90	5.5	9.5 x 180	2	<b>003N0047</b>

### Adsorption charge. Stainless steel valve body



Type	Connection	Temperature setting range [°C]	Max sensor temperature [°C]	Kv [m <sup>3</sup> /h]	Sensor dimensions Ø x L [mm]	Capillary tube, length [m]	Code number
AVTA 15	G 1/2	10 – 80	130	1.9	9.5 x 150	2.3	<b>003N2150</b>
AVTA 20	G 3/4	10 – 80	130	3.4	9.5 x 150	2.3	<b>003N3150</b>
AVTA 25	G 1	10 – 80	130	5.5	9.5 x 150	2.3	<b>003N4150</b>

For all types: Media temperature range: -25 – 130 °C.

For higher Kv values (larger capacities) and other requirements please contact Danfoss.

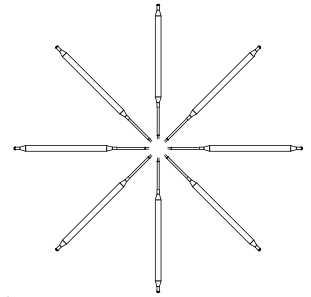
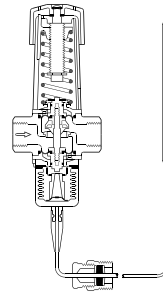
Ask Danfoss or your local wholesaler if larger size than G1 is needed

## Charges

### Adsorption charge

The charge consists of active carbon and  $\text{CO}_2$  which is adsorbed on falling sensor temperature and thereby produce pressure changes in the element.

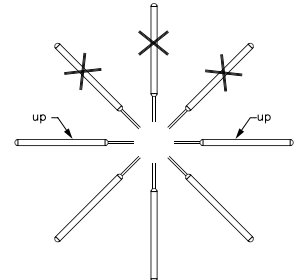
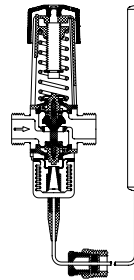
The sensor can be installed in any position as far as orientation and temperature are concerned.



### Universal charge

The charge is a mix of liquid and gas where the liquid surface (sensing point) is always inside the sensor.

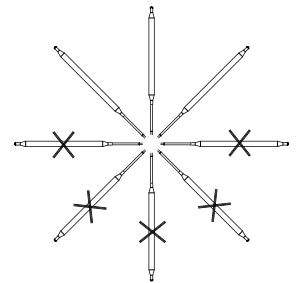
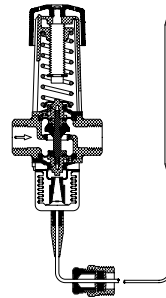
The sensor can be installed colder or warmer than the valve, and oriented as shown.



### Mass charge

The charge is a mix of liquid and gas.

Due to the volumetric conditions the sensor must be installed warmer than the valve, since the liquid surface (sensing point) must be in the sensor. Orientation as shown.



## Spare parts and accessories for AVTA

### Service sensor elements



Sensor size Ø x L [mm]	Cap. tube length [m]	Charge			Temperature range [°C]	Code number
		Adsorption	Universal	Mass		
18 x 210	2		✓		0 – 30	<b>003N0075</b>
18 x 210	2		✓		25 – 65	<b>003N0078</b>
18 x 210	2		✓		50 – 90	<b>003N0062</b>
9.5 x 180	2			✓	25 – 65	<b>003N0091</b>
9.5 x 150	2.3	✓			10 – 80	<b>003N0278</b>

### Sensor pockets



Sensor size Ø x L [mm]	Connection standard	Connection size [inch]	Sensor pocket insertion [mm]	Pocket material		Code number
				Brass	Stainless steel	
9.5x180 / 9.5x150	ISO 228-1	½	182	✓		<b>017-436766</b>
9.5x180 / 9.5x150	ISO 7-1	½	182		✓	<b>003N0196</b>
18x210	ISO 228-1	¾	220	✓		<b>003N0050</b>
18x210	ISO 7-1	¾	220		✓	<b>003N0192</b>

### Capillary tube glands



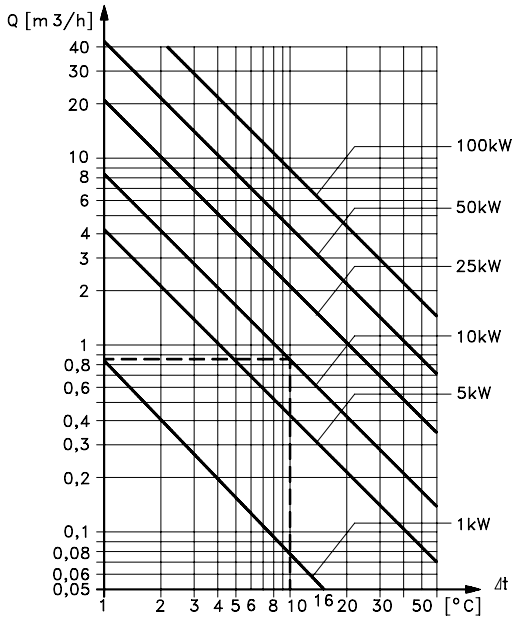
Sensor size Ø x L [mm]	Connection standard	Connection size [inch]	Material	Charge		Code number
				Adsorption / Mass	Universal	
9.5x180 / 9.5x150	ISO 228-1	G ½	Brass	✓		<b>017-422066</b>
18x210	ISO 228-1	G ¾	Brass		✓	<b>003N0155</b>

### Bracket

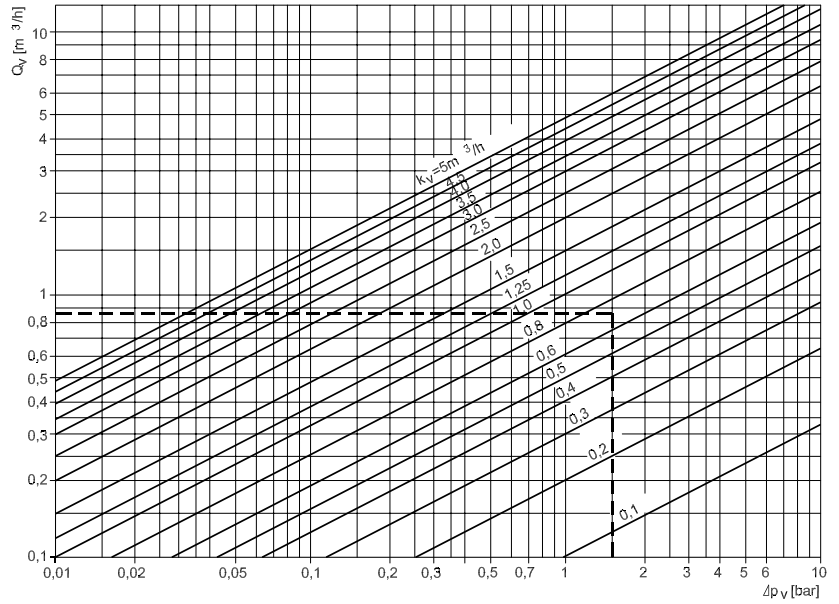


Type	Material	Code number
Bracket	Zinc plated steel	<b>003N0388</b>

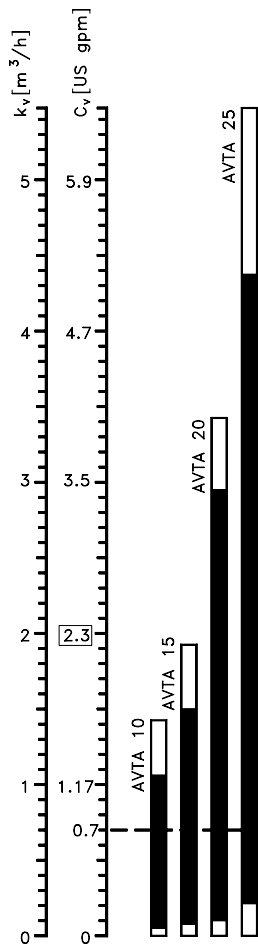
# AVTA thermostatic valve - sizing



Heating or cooling with water.  
 Example: Necessary cooling output 10 kW with  $\Delta t = 10^{\circ}C$ .  
 Required flow 0.85  $m^3/h$ .

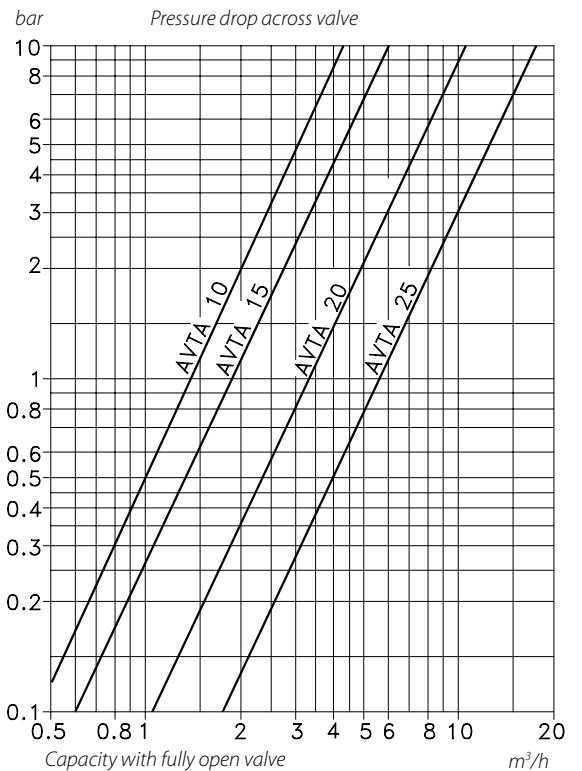


Relation between water quantity and pressure drop across valve.  
 Example: Flow 0.85  $m^3/h$  with a pressure drop of 1.5 bar.  
 The  $k_v$  value becomes 0.7  $m^3/h$ .



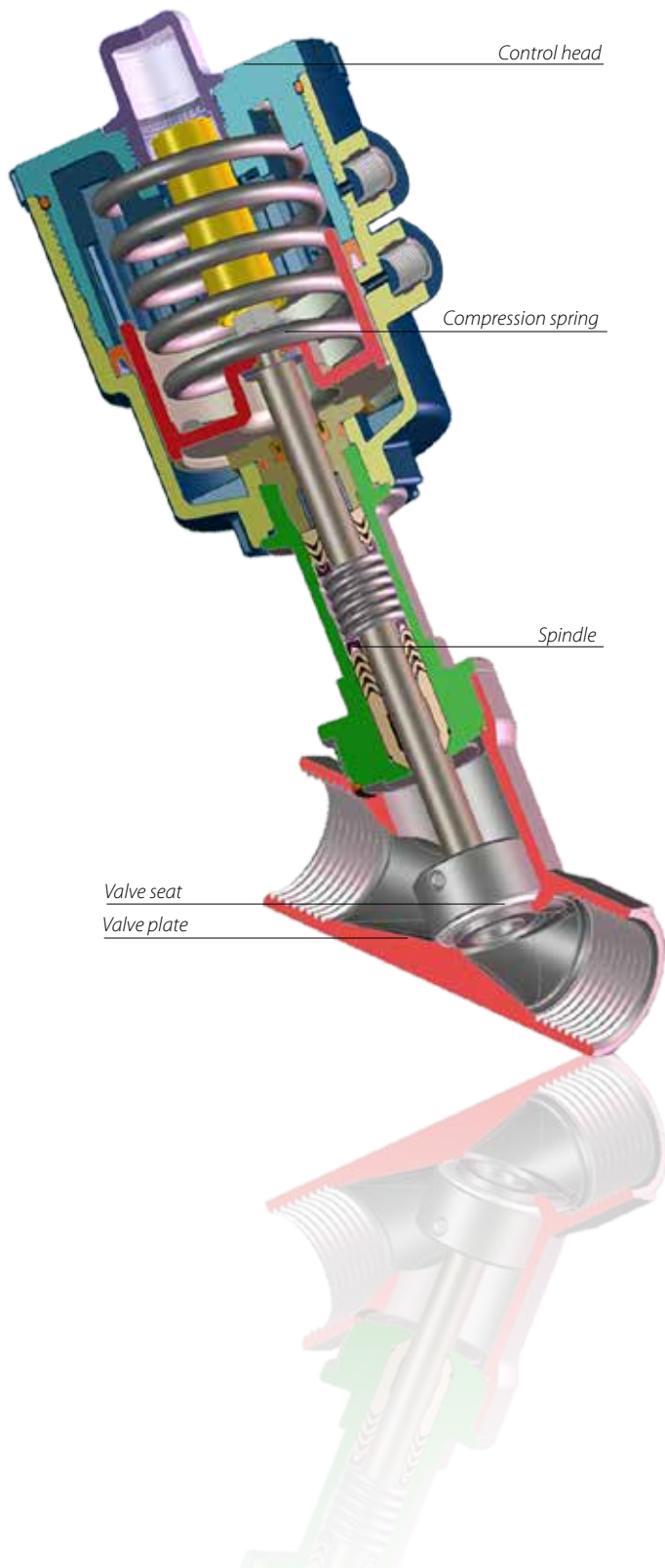
Nomogram showing the valve  $k_v$  range.  
 $k_v$  values are always given for water flow in  $m^3/h$  with a pressure drop  $\Delta p$  of 1 bar.  
 The valve should be selected so that the necessary  $k_v$  value lies in the middle of the regulation range.  
 Example: AVTA 10 and 15 are the most suitable for a  $k_v$  value of 0.7

Valve flow quantity in fully open position, as a function of pressure drop  $\Delta p$ .  
 With fully open valve the differential pressure should be around 50% of the total pressure drop across the cooling system.



# AV210 externally operated valve for high capacity applications

The AV210 can operate at very high medium temperatures and viscosities, and can withstand dirt particles in the medium.



## Wide temperature range

Known as the 'trouble-shooter', the AV210 is made from FKM, PTFE, and gun metal (RG5/bronze) or stainless steel (AISI 316), so it can withstand temperatures as low as -30 °C and as high as 180 °C.

## Dirt resistant

Mounted on a spindle, the resilient internal valve seat is made of AISI 316, a high grade corrosion-resistant stainless steel. And the PTFE valve plate gives excellent resistance to dirt particles in the medium.

## Insensitive to media pressure and viscosity

Made for air, neutral gases and fresh water applications, the valve is designed to operate with media viscosities up to 400cSt and 10 bar pressure – and it is not affected by low flow rates or pressure loss across the opening.

## Tight fit even at high differential pressures

As the valve seat is pressurised at the valve opening, the standard AV210 valve closes against the flow. When closed the spindle is not exposed to the medium, significantly reducing water hammer. The AV210 can also close with the flow if required.

## High capacity

For optimum capacity, the special control head design and high closing spring allows the valve plate to lift higher than the usual 25 percent of the valve diameter.

## Modular design

Available in five sizes, it is easy to find an AV210 to suit your size and pressure range requirements.

## Accessories

For even higher performance and versatility, the AV210 can be fitted with the following accessories:

- Manual override
- Flow limiters
- Valve position indicators

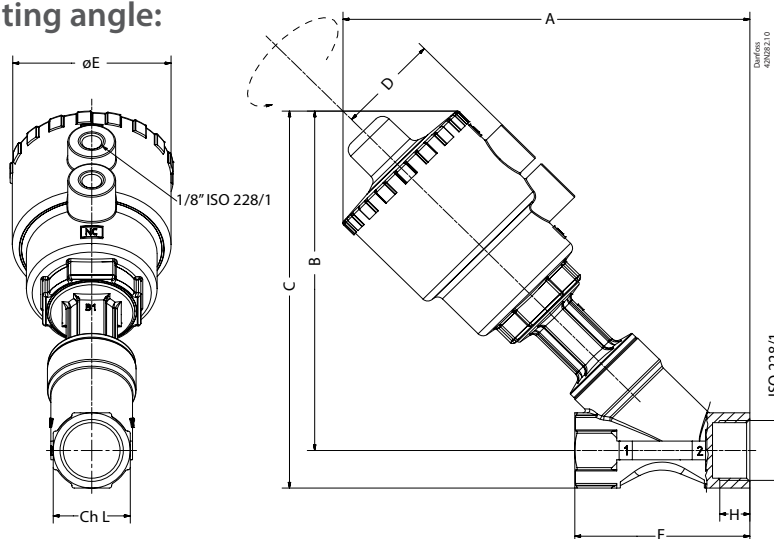
## AV210 externally operated valves

AV210 is an externally operated valve for use in demanding industrial applications. The valve can operate at very high medium temperatures and viscosities, and is insensitive to dirt particles in the medium; thus, it is often called a “trouble-shooter” valve. The valve is available in gun metal (RG5/bronze) and stainless steel (AISI316).



- High capacity basic program
- 2/2-way
- Angle-seated piston
- NC version: Both closing against and withflow direction
- NO version: Closing against the flow direction
- Bronze or stainless steel valve body
- Danfoss recommends a EV310A as pilot solenoid valve

### Dimensions, weight and mounting angle:



### Stainless Steel / Bronze RG5

Type / orifice size	Connec-tion ISO 228/1	Diameter control head [mm]	A [mm]	B [mm]	C [mm]	D [mm]	ØE [mm]	F [mm]	H [mm]	ch.L [mm]	Weight [kg]
15	G 3/8	40	190/144	156/121	169/134	44/35	70/61	85/65	12/12	25/27	1.1
15	G 3/8	50	-/163	-/140	-/153	-/44	-/70	-/65	-/12	-/27	1.1
15	G 1/2	40	-/144	-/121	-/134	-/35	-/61	-/65	-/13	-/27	1
15	G 1/2	50	190/163	156/140	169/153	44/44	70/70	85/65	15/13	25/27	1
20	G 3/4	50	195/173	160/147	176/163	44/44	70/70	95/75	16.3/14.3	31/27.5	1.2
20	G 3/4	63	213/191	178/165	194.4/181	50.5/50.5	84.4/84.4	95/75	16.3/14.3	31/27.5	1.2
25	G 1	63	219/206	182/176	202/196	50.5/50.5	84.4/84.4	105/90	19.5/17.5	38/41	1.6
25	G 1	90	259/246	222/216	242/236	66.2/66.2	116.4/116.4	105/90	19.5/17.5	38/41	1.7
32	G 1 1/4	90	266/255	226/220	249/245	66.2/66.2	116.4/116.4	120/110	19/19	47/50	3
40	G 1 1/2	90	271/270	230/235	258/264	66.2/66.2	116.4/116.4	130/120	18/18	54/58	3.4
40	G 1 1/2	110	307/306	266/271	294/300	77.4/77.4	140.6/140.6	130/120	18/18	54/58	4
50	G 2	110	321/316	276/276	310/311	77.4/77.4	140.6/140.6	150/150	20/20	66/70	5.3

## AV210 externally operated valves, PTFE seal material, NC

Closing against flow recommended



Type	Connection	Kv [m <sup>3</sup> /h]	Body material		Differential pressure [bar]	Control pressure [bar]	Control head diameter Ø [mm]	Code number
			Bronze RG5	Stainless steel				
AV210A 15	G 3/8	4.5	✓		0 – 16	4.2 – 10	40	<b>042N4400</b>
AV210B 15	G 3/8	4.9	✓		0 – 16	4 – 10	50	<b>042N4401</b>
AV210B 15	G 3/8	4.9		✓	0 – 16	4 – 10	50	<b>042N4450</b>
AV210A 15	G 1/2	5.3	✓		0 – 16	4.2 – 10	40	<b>042N4402</b>
AV210B 15	G 1/2	5.7	✓		0 – 16	4 – 10	50	<b>042N4403</b>
AV210B 15	G 1/2	5.7		✓	0 – 16	4 – 10	50	<b>042N4451</b>
AV210B 20	G 3/4	10	✓		0 – 10	4 – 10	50	<b>042N4404</b>
AV210B 20	G 3/4	10		✓	0 – 10	4 – 10	50	<b>042N4452</b>
AV210C 20	G 3/4	10		✓	0 – 16	4 – 10	63	<b>042N4453</b>
AV210C 25	G 1	20	✓		0 – 11	4 – 10	63	<b>042N4406</b>
AV210D 25	G 1	20	✓		0 – 16	4 – 8	90	<b>042N4407</b>
AV210C 25	G 1	20		✓	0 – 11	4 – 10	63	<b>042N4454</b>
AV210D 25	G 1	20		✓	0 – 16	4 – 8	90	<b>042N4455</b>
AV210D 32	G 1 1/4	29	✓		0 – 14	4 – 8	90	<b>042N4408</b>
AV210D 32	G 1 1/4	29		✓	0 – 14	4 – 8	90	<b>042N4456</b>
AV210D 40	G 1 1/2	46	✓		0 – 11	4 – 8	90	<b>042N4409</b>
AV210D 40	G 1 1/2	46		✓	0 – 11	4 – 8	90	<b>042N4457</b>
AV210E 50	G 2	67	✓		0 – 10	4 – 8	110	<b>042N4411</b>
AV210E 50	G 2	67		✓	0 – 10	4 – 8	110	<b>042N4459</b>

## AV210 externally operated valves, PTFE seal material, NO

Closing against flow recommended



Type	Connection	Kv [m <sup>3</sup> /h]	Body material		Differential pressure [bar]	Control pressure [bar]	Control head diameter Ø [mm]	Code number
			Bronze RG5	Stainless steel				
AV210B 15	G 3/8	4.9	✓		0 – 16	5 – 10	50	<b>042N4430</b>
AV210B 15	G 3/8	4.9		✓	0 – 16	5 – 10	50	<b>042N4480</b>
AV210B 15	G 1/2	5.7	✓		0 – 16	5 – 10	50	<b>042N4431</b>
AV210B 15	G 1/2	5.7		✓	0 – 16	5 – 10	50	<b>042N4481</b>
AV210B 20	G 3/4	10	✓		0 – 16	5 – 10	50	<b>042N4432</b>
AV210B 20	G 3/4	10		✓	0 – 16	5 – 10	50	<b>042N4482</b>
AV210C 25	G 1	20	✓		0 – 16	5 – 10	63	<b>042N4433</b>
AV210C 25	G 1	20		✓	0 – 16	5 – 10	63	<b>042N4483</b>
AV210C 32	G 1 1/4	29		✓	0 – 16	6 – 10	63	<b>042N4484</b>
AV210D 40	G 1 1/2	46	✓		0 – 16	5 – 10	90	<b>042N4435</b>
AV210D 40	G 1 1/2	46		✓	0 – 16	5 – 10	90	<b>042N4485</b>
AV210E 50	G 2	67	✓		0 – 16	5 – 10	110	<b>042N4436</b>
AV210E 50	G 2	67		✓	0 – 16	5 – 10	110	<b>042N4486</b>

\* in case control pressure is reduced below 5 or 6 bar max. differential pressure will be reduced accordingly.



# AV210 externally operated valves - accessories & spare parts

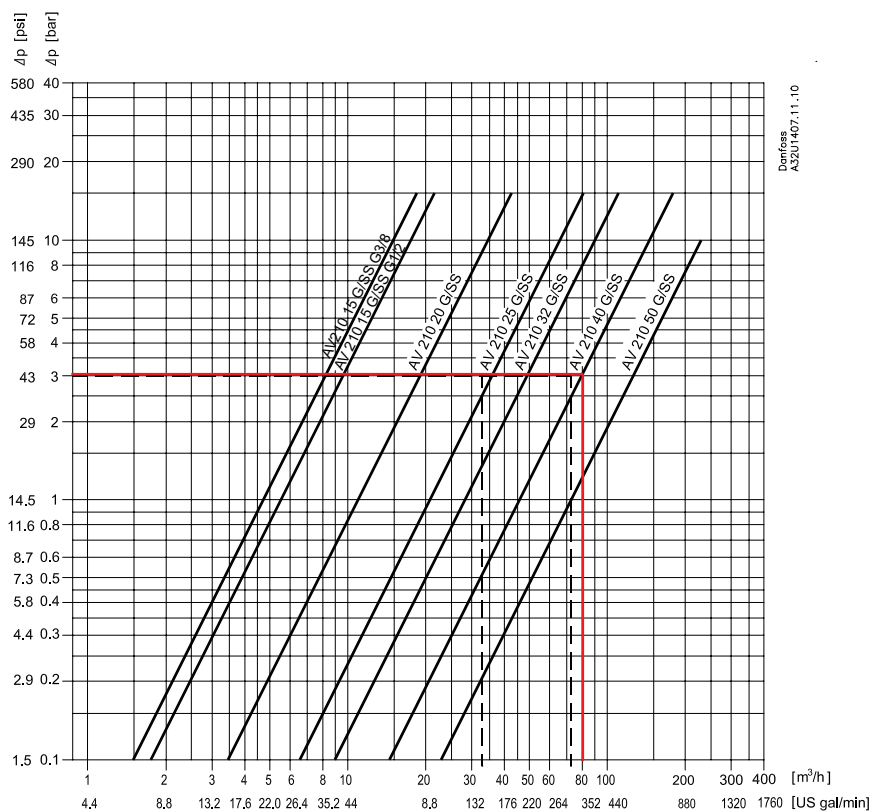
Position indicators. Voltage: Max 5A 250 V a.c. / 1A 250 V d.c.



Enclosure	Control head diameter Ø [mm]	Code number
IP65	50	<b>042N4820</b>
IP65	63	<b>042N4821</b>
IP65	90	<b>042N4822</b>
IP65	110	<b>042N4823</b>

## Capacity diagram, water

Example for water:  
Capacity for AV 210 40 at  
differential pressure of 3 bar:  
Approx 80 m<sup>3</sup>/h





Safety application - tilt control - mobile hydraulic

An MBS 3050 pressure transmitter controls the pressure circuit. Its integrated pulse-snubber ensures reliable operation despite cavitation, liquid hammer or pressure peaks



# Pressure transmitters



## Industries

Serving a broad, global market within diverse and demanding industries, Industrial Automation is your one-stop partner for industrial control components. Through Danfoss Industrial Automation you gain access to the entire Danfoss pool of technology for a wide range of industries.

### **HYDRAULICS**

In a world depending on infrastructure, mobile hydraulic equipment is key to making modern living possible for an ever growing population. Whether used in construction, agriculture or for material handling, mobile hydraulics equipment offers efficiency, economy, safety and environmental advantages.

### **MARINE**

From the handling of sewage water to the treatment of exhaust gasses: A modern ship contains most of the applications found on shore, albeit in a limited space. Danfoss Industrial Automation is a global leader in supplying pressure transmitters to equipment placed in and around the engine room: 2 and 4 stroke diesel and gas engines, propulsion systems, fuel treatment, oil separators among others.

### **AIR COMPRESSORS**

Spanning from very small units for medical use to very large industrial compressors operating in the kilowatt power band, the air compressor industry covers a huge range of equipment. Equally varied are the fundamental compressor technologies used.

### **PUMPS**

The global need for clean water is enormous and on the rise, calling for a dedicated common effort to control the water cycle. Danfoss is well prepared to contribute to such endeavors. To us, the pump is the key to controlling the water cycle – from intake to effluent. Consequently, we have developed a range of sensors and switches for pumps, tailored for the most common applications in the water industry.

# Pressure transmitters

in this catalogue



Type	Standard	MBS 3000	MBS 3200	MBS 3100	MBS1900
	Pulse-snubber	MBS 3050	MBS 3250	MBS 3150	
Industries	Transportation				
	Heating and sanitation				
	Machine and equipment				
	Energy				
Characteristics	Sensor technology	Piezo resistive	Piezo resistive	Piezo resistive	Piezo resistive
	Accuracy FS (typ)	± 0.5%	± 0.5%	± 0.5%	± 1%
	Max. measuring range	600 bar 9,000 psi	600 bar 9,000 psi	600 bar 9,000 psi	25 bar 362 psi
	Output signal	4 – 20 mA and absolute voltage	4 – 20 mA and absolute voltage	4 – 20 mA	4 – 20 mA Ratiometric
	Medium temperature	-40 – 85 °C -40 – 185 °F 	-40 – 125 °C -40 – 257 °F 	-40 – 85 °C -40 – 185 °F 	0 – 80 °C 32 – 176 °F 
	Enclosure IP	IP65 IP67	IP65 IP67	IP65 IP67	IP65
	Wetted parts material	AISI 316L	AISI 316L	AISI 316L	AISI 304/AISI 316
	Housing material	AISI 316L, PA 6.6	AISI 316L, PA 6.6	AISI 316L, PA 6.6	AISI 316L
	Zero point and span adjustment				
	Marine approvals			•	
ATEX approvals	Zone 2	Zone 2	Zone 2	UL	
UL HazLoc	Class 1, Div. 2	Class 1, Div. 2	Class 1, Div. 2		



Railways and marine



Industrial hydraulics, air compressors, water pumps and industrial engines



Electric power and wind turbines



Boiler and boiler room equipment, sterilisers and autoclaves, mobile hydraulic



MBS1200

MBS1300

MBS 5100

MBS 4510

MBS 9200

MBS 9300

EMP 2

MBS1250

MBS1350

MBS 5150



Thin film

Thin film

Piezo resistive

Piezo resistive

Piezo resistive

Piezo resistive

Piezo resistive

± 0.5%

± 0.5%

± 0.3%

± 0.5%

± 0.5% – ± 2%  
(depending on pressure range)± 0.5% – ± 2%  
(depending on pressure range)

± 0.3%

2200 bar  
32000 psi2200 bar  
32000 psi600 bar  
9,000 psi25 bar  
360 psi250 mbar  
3.62 psi250 mbar  
3.62 psi400 bar  
6,000 psi4 – 20 mA  
Voltage  
Ratiometric

4 – 20 mA

4 – 20 mA

4 – 20 mA or  
Ratiometric

4 – 20 mA

4 – 20 mA

-40 – 125 °C  
-40 – 257 °F-40 – 125 °C  
-40 – 257 °F-40 – 85 °C  
-40 – 185 °F-10 – 85 °C  
14 – 185 °F-40 – 85 °C  
-40 – 185 °F-40 – 85 °C  
-40 – 185 °F-40 – 100 °C  
-40 – 212 °F

IP67

IP67

IP65  
IP67IP65  
IP67

IP65

IP65

IP67

17-4PH

17-4PH

AISI 316L

AISI 316L

AISI 316L

AISI 316L

AISI316L

AISI 304 or plastic

AISI 304 or plastic

AISI 316L,  
PA 6.6AISI 316L,  
PA 6.6AISI 316L,  
PA 6.6AISI 316L,  
PA 6.6

Al

•

•

•

•

•

Zone 2

Zone 2

Zone 2

Zone 2

Zone 2

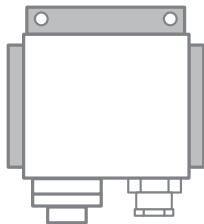
Class 1,  
Div. 2Class 1,  
Div. 2

# Sensor packages designed for customer needs

The extent of automation in both mobile and stationary applications has over the past decade increased dramatically and the demand for sensors and controls has increased accordingly.

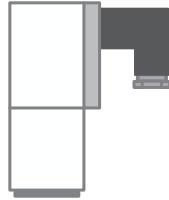
Danfoss has followed this development closely, and as a result we now have a programme of products perfectly aligned to our customer's needs.

Box transmitter



Often used in applications requiring robust performance and enclosures. The Danfoss Box solution has been on the market for more than 30 years. It is still widely used within the marine sector.

Block transmitter



Used in applications where space has become an issue. The Danfoss "Block" design is more compact compared to the traditional "Box" design. Where a combination of sensor and valve is needed, Danfoss also offers the "Block" valve - MBV.

Cartridge transmitter



The cartridge transmitter can be mounted directly to the customer's system at the point of measurement, even where there is very little space. This eliminates the need for extra piping and joints.

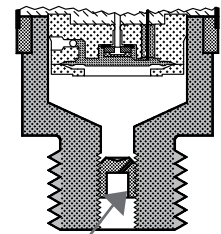
Cartridge transmitter with flush diaphragm



Often used in applications where measurement have to be made on highly viscous or slurry media. The front mounted diaphragm prevents blocking of the pressure port.

## Pulse-snobber

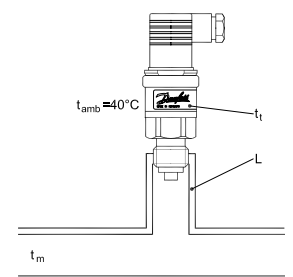
In applications where there is a risk of liquid hammering and cavitation it is recommended to select a transmitter with an integral pulse-snobber. The Danfoss pressure transmitters with a pulse-snobber are indicated with a "5" in the third type digit (example: MBS 1750).



Pulse-snobber

## Temperature influence

Media temperature ( $t_m$ ) [°C]	Heat isolator (L) [cm]	Transmitter temperature ( $t_t$ ) [°C]
120	2	85
	5	75
	10	70
100	2	75
	5	65
	10	60





# MBS transmitter made from expert know-how

A typical pressure transmitter has three general functional elements:

- The electronics
- The sensing element
- The packaging

It is the solution of each of these elements and the combination that determines the performance of the products. All Danfoss pressure transmitters are certified according to ISO 9001 and ISO 14001.

*A variety of electrical connections available*

## 1 Electronics

Danfoss MBS pressure transmitters are available with analogue electronic solutions and offer unique specifications in terms of:

- Accuracy
- Temperature range coverage
- EMI/RFI protection

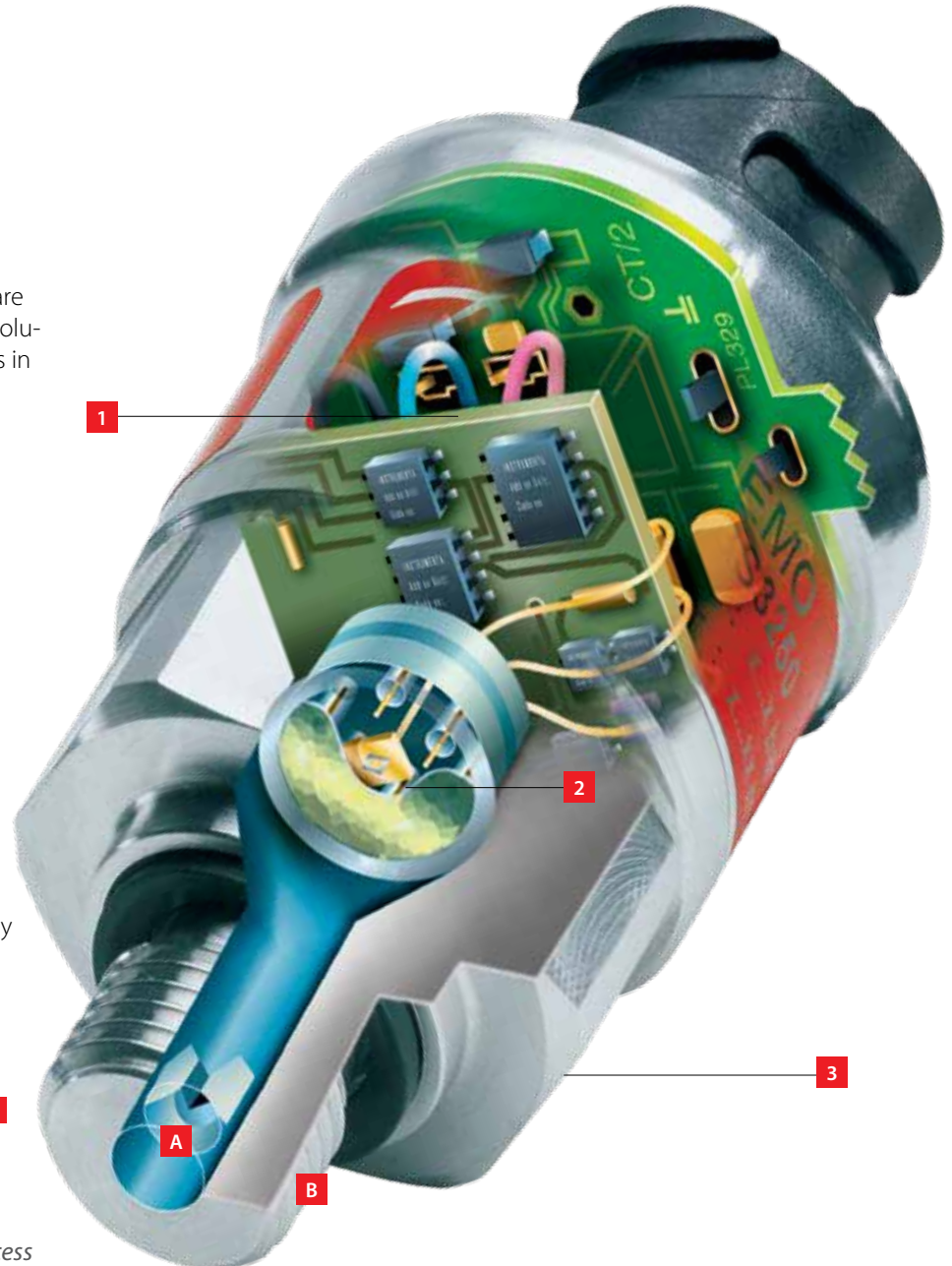
## 2 Sensing element

- Piezoresistive semi-conductor technology covering pressure ranges from 0 – 600 bar. This technology is available in absolute or gauge versions.

## 3 Packaging

The transmitter design offers long-life stability through:

- High shock and vibration stability
- High enclosure grade IP67
- Pulse restriction solution which prevents liquid hammering and cavitation. (pulse-snubber) **A**
- Wetted parts that are all made from stainless steel (AISI 316L) **B**



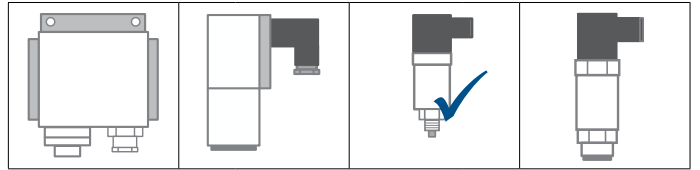
*A variety of process connections available*



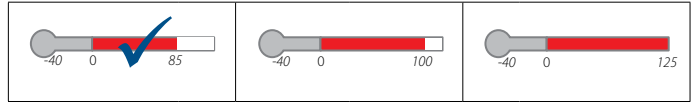
# MBS 3000 compact pressure transmitter



## Design



## Temperature

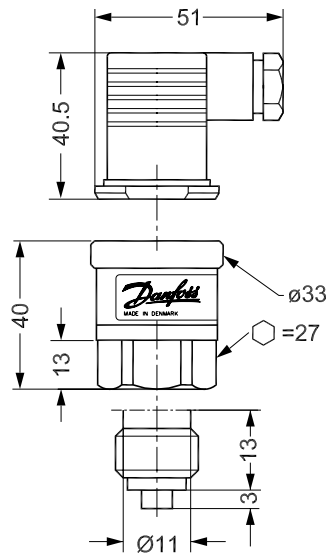


The compact pressure transmitter MBS 3000 is designed for use in almost all industrial applications, and offers a reliable pressure measurement, even under harsh environmental conditions. The flexible pressure transmitter programme covers a 4 – 20 mA output signal, absolute and gauge (relative) versions, measuring ranges from 0 – 1 to 0 – 600 bar and a wide range of pressure- and electrical connections. Excellent vibration stability, robust construction, and a high degree of EMC/EMI protection equip the pressure transmitter to meet the most stringent industrial requirements.

- 4 – 20 mA output signal
- Operating temperature -40 – 85 °C
- Measuring range 0 – 600 bar
- Standard pressure connection G ¼A ISO 228/1
- For use in severe industrial environments such as pumps, compressors, pneumatics and water treatment
- Wetted parts: stainless steel (AISI 316)

## Dimensions:

Weight: 0.17 kg



All dimensions in millimetres

Approvals: CE, UL, UL Hazloc, Ex-N, Gost

## MBS 3000 compact pressure transmitter

Accuracy: +/- 0.5% FS (typ.)

Media temperature: -40 – 85 °C

Output signal: 4 – 20 mA

Electrical connections: EN175301-803A, Pg 9

Range: Flexible, different electrical and pressure connections available



Measuring range P <sub>e</sub> [bar] <sup>1)</sup>	Pressure connection			Output signal		Code number
	G ¼ EN 837	G ¼ A	M20 x 1.5	4 – 20mA	0 – 10V	
0 – 1	✓			✓		<b>060G1113</b>
0 – 1.6	✓			✓		<b>060G1429</b>
0 – 2.5	✓			✓		<b>060G1122</b>
0 – 4	✓			✓		<b>060G1123</b>
0 – 4		✓			✓	<b>060G3812</b>
0 – 4			✓		✓	<b>060G3828</b>
0 – 6	✓			✓		<b>060G1124</b>
0 – 6		✓			✓	<b>060G3902</b>
0 – 6			✓		✓	<b>060G3829</b>
0 – 10	✓			✓		<b>060G1125</b>
0 – 10		✓			✓	<b>060G1650</b>
0 – 10			✓		✓	<b>060G3830</b>
0 – 16	✓			✓		<b>060G1133</b>
0 – 16		✓			✓	<b>060G3813</b>
0 – 16			✓		✓	<b>060G3831</b>
0 – 25	✓			✓		<b>060G1430</b>
0 – 25		✓			✓	<b>060G3814</b>
0 – 25			✓		✓	<b>060G3832</b>
0 – 40	✓			✓		<b>060G1105</b>
0 – 40		✓			✓	<b>060G3815</b>
0 – 40			✓		✓	<b>060G3833</b>
0 – 60	✓			✓		<b>060G1106</b>
0 – 100	✓			✓		<b>060G1107</b>
0 – 160	✓			✓		<b>060G1112</b>
0 – 250	✓			✓		<b>060G1111</b>
0 – 400	✓			✓		<b>060G1109</b>
0 – 600	✓			✓		<b>060G1110</b>

<sup>1)</sup> Gauge / relative

## Spare parts and accessories for MBS 3000

### Plug



Description	Code number
EN 175301-803-A, Pg 9 plug	<b>060G0008</b>
EN 175301-803-A, Pg 11 plug	<b>060G0007</b>
EN 175301-803-A, plug with 5 m cable	<b>060G1034</b>

### Plug in display

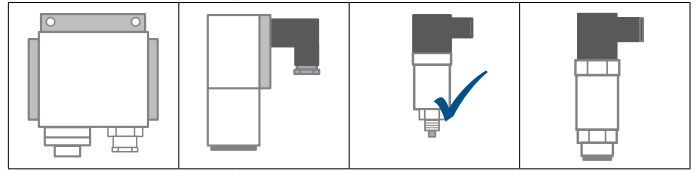


Type	Description	Code number
MBD 1000	Microprocessor controlled plug-in display	<b>060G2850</b>

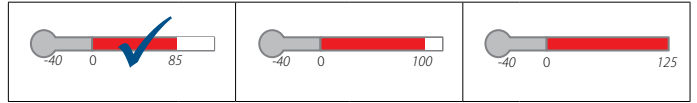
# MBS 3050 compact pressure transmitters with pulse snubber



## Design



## Temperature



The compact heavy duty pressure transmitter MBS 3050 is designed for use in hydraulic applications with severe medium influences like cavitation, liquid hammer or pressure peaks and offers a reliable pressure measurement, even under harsh environmental conditions.

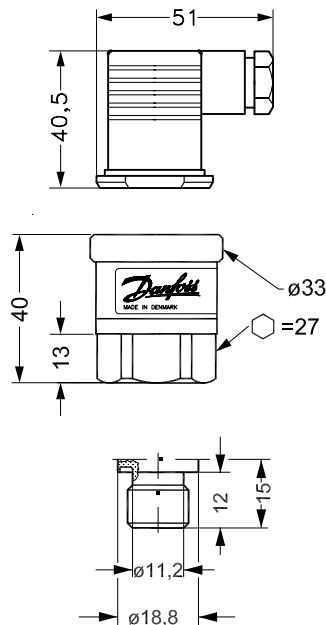
The flexible pressure transmitter programme covers a 4 – 20 mA output signal, absolute and gauge (relative) versions, measuring ranges from 0 – 1 to 0 – 600 bar and a wide range of pressure- and electrical connections.

Excellent vibration stability, robust construction, and a high

degree of EMC/EMI protection equip the pressure transmitter to meet the most stringent industrial requirements.

- 4 – 20 mA output signal
- Operating temperature -40 – 85 °C
- Measuring range 0 – 600 bar
- Standard pressure connection DIN 3852 - G 1/4A
- With integrated pulse-snubber to protect against cavitation, liquid hammer or pressure peaks
- Especially suited for hydraulic applications
- Wetted parts: stainless steel (AISI 316)

## Dimensions and weight:



Weight: 0.17 kg

All dimensions in millimetres

Approvals: CE, UL, UL Hazloc, Ex-N, Gost

## MBS 3050 compact pressure transmitters with pulse-snubber

Accuracy: + / - 0.5 % FS (typ.)

Media temperature: -40 – 85 °C

Electrical connections: EN175301-803A, Pg 9

Range: Flexible, different electrical and pressure connections available



Pressure range P <sub>e</sub> [bar] <sup>1)</sup>	Output signal		Pressure connection:		Code number
	mA	V	G ¼ DIN3852-E	G ¼ DIN3852-G Special	
0 – 250	4 – 20		✓		<b>060G3582</b>
0 – 400	4 – 20		✓		<b>060G3583</b>
0 – 250		1 – 5	✓		<b>060G3584</b>
0 – 400		1 – 5	✓		<b>060G3585</b>
0 – 250		0 – 10	✓		<b>060G3557</b>
0 – 400		0 – 10	✓		<b>060G3586</b>
0 – 60	4 – 20			✓	<b>060G1411</b>
0 – 100	4 – 20			✓	<b>060G1151</b>
0 – 250	4 – 20			✓	<b>060G1153</b>
0 – 400	4 – 20			✓	<b>060G1154</b>

<sup>1)</sup>Gauge/relative

## Spare parts and accessories for MBS 3050

### Plug in display



Type	Description	Code number
MBD 1000	Microprocessor controlled plug-in display	<b>060G2850</b>

### Plug

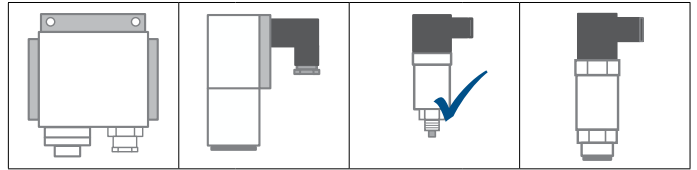


Description	Code number
EN 175301-803-A, Pg 9 plug	<b>060G0008</b>
En 175301-803-A, Pg 11 plug	<b>060G0007</b>
En 175301-803-A, plug with 5 m cable	<b>060G1034</b>

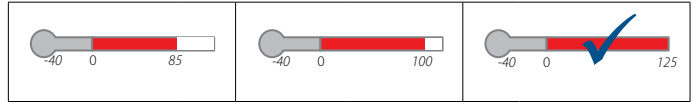
# MBS 3200 compact pressure transmitters



## Design



## Temperature



The compact high temperature pressure transmitter MBS 3200 is designed for use in almost all industrial applications, and offers a reliable pressure measurement, even under harsh environmental conditions.

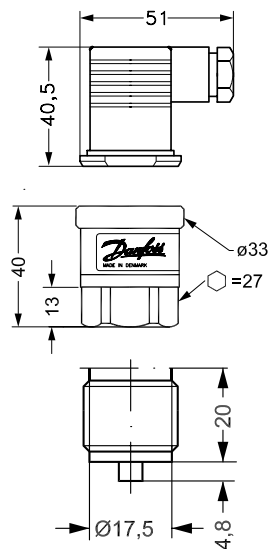
The flexible pressure transmitter programme covers 4 – 20 mA, 0 – 5 V, 1 – 5 V, 1 – 6 V and 0 – 10V output signal, absolute and gauge (relative) versions, measuring ranges from 0 – 1 to 0 – 600 bar and a wide range of pressure and electrical connections. Excellent vibration stability, robust construction, a high degree of EMC/EMI protection and a high operating temperature, equip

the pressure transmitter to meet the most stringent industrial requirements.

- 4 – 20 mA, 0 – 5 V, 1 – 5 V, 1 – 6 V and 0 – 10 V output signal
- Operating temperature -40 – 125 °C
- Measuring range 0 – 600 bar
- A wide range of pressure and electrical connections are available
- For use in severe industrial environments
- Wetted parts: stainless steel (AISI 316)

## Dimensions and weight:

Weight: 0.17 kg



All dimensions in millimetres

Approvals: CE, UL, UL Hazloc, Ex-N, Gost

## MBS 3200 compact pressure transmitters

**Accuracy:** +/- 0.5% FS (typ.)  
**Media temperature:** -40 – 125 °C  
**Output signal:** 4 – 20 mA  
**Electrical connections:** EN175301-803A, Pg 9  
**Range:** Flexible - different electrical and pressure connections available



Pressure range P <sub>e</sub> [bar] <sup>1)</sup>	Pressure connection: G ½ EN 837	Code number
0 – 6	✓	<b>060G1874</b>
0 – 10	✓	<b>060G1875</b>
0 – 16	✓	<b>060G1876</b>
0 – 25	✓	<b>060G1877</b>

<sup>1)</sup> Gauge / relative

## Spareparts and accessories for MBS 3200

### Plug in display



Type	Description	Code number
MBD 1000	Microprocessor controlled plug-in display	<b>060G2850</b>

### Plug



Description	Code number
EN 175301-803-A, Pg 9 plug	<b>060G0008</b>
En 175301-803-A, Pg 11 plug	<b>060G0007</b>
En 175301-803-A, plug with 5 m cable	<b>060G1034</b>

### Adapters

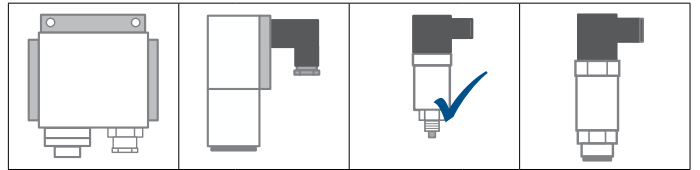


Description	Code number
G ½ female to G ¼ male	<b>060G1021</b>
G ½ female to G ¼ (DIN3852) male	<b>060G1022</b>
G ½ female to G ¾ male	<b>060G1023</b>
G ½ female to ¼ flare male	<b>060G1024</b>
G ½ with pulse-snubber	<b>060G0252</b>

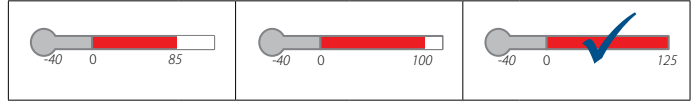
# MBS 3250 compact pressure transmitters with pulse-snubber



## Design



## Temperature



The compact high temperature pressure transmitter MBS 3250 is designed for use in hydraulic applications with severe medium influences like cavitation, liquid hammer or pressure peaks and offers a reliable pressure measurement, even under harsh environmental conditions.

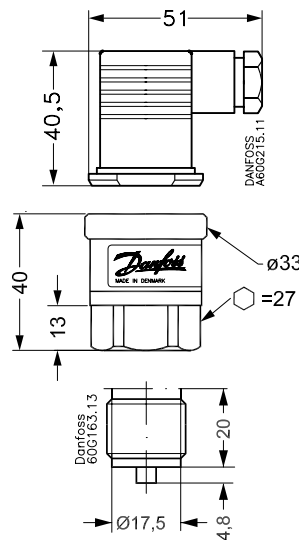
The flexible heavy duty pressure transmitter programme covers 4 – 20 mA, 0 – 5 V, 1 – 5 V, 1 – 6 V and 0 – 10V output signal, absolute and gauge (relative) versions, measuring ranges from 0 – 1 to 0 – 600 bar and a wide range of pressure- and electrical connections.

Excellent vibration stability, uniquely robust construction, a high degree of EMC/EMI protection and a high operating temperature equip the pressure transmitter to meet the most stringent industrial and hydraulic requirements.

- 4 – 20 mA, 0 – 5 V, 1 – 5 V, 1 – 6 V and 0 – 10 V output signal
- Operating temperature -40 – 125 °C
- Measuring range 0 – 600 bar
- A wide range of pressure and electrical connections are available
- For use in severe industrial environments
- With pulse-snubber
- Wetted parts: stainless steel (AISI 316)

## Dimensions and weight:

Weight: 0.17 kg



All dimensions in millimetres

Approvals: CE, UL, UL Hazloc, Ex-N, Gost



## MBS 3250 pressure transmitters with pulse-snubber

**Accuracy:** +/- 0.5% FS (typ.)  
**Media temperature:** -40 – 125 °C  
**Output signal:** 4 – 20 mA  
**Electrical connections:** EN175301-803A, Pg 9  
**Range:** Flexible - different electrical and pressure connections available



Pressure range P <sub>e</sub> [bar] <sup>1)</sup>	Pressure connection G ¼ DIN 3852-E	Code number
0 – 2.5	✓	<b>060G1861</b>
0 – 4	✓	<b>060G1862</b>
0 – 6	✓	<b>060G1863</b>
0 – 10	✓	<b>060G1791</b>
0 – 16	✓	<b>060G1864</b>
0 – 25	✓	<b>060G1865</b>
0 – 40	✓	<b>060G1790</b>
0 – 60	✓	<b>060G1866</b>
0 – 100	✓	<b>060G1867</b>
0 – 160	✓	<b>060G1868</b>
0 – 250	✓	<b>060G1779</b>
0 – 400	✓	<b>060G1869</b>
0 – 600	✓	<b>060G1778</b>

<sup>1)</sup> Gauge / relative

## Spareparts and accessories for MBS 3250

### Plug in display



Type	Description	Code number
MBS 1000	Microprocessor controlled plug-in display	<b>060G2850</b>

### Plug



Description	Code number
EN 175301-803-A, Pg 9 plug	<b>060G0008</b>
En 175301-803-A, Pg 11 plug	<b>060G0007</b>
En 175301-803-A, plug with 5 m cable	<b>060G1034</b>

### Adapters

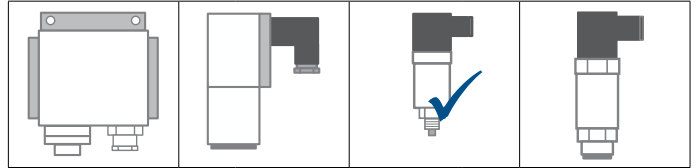


Description	Code number
G ½ female to G ¼ male	<b>060G1021</b>
G ½ female to G ¼ (DIN3852) male	<b>060G1022</b>
G ½ female to G ¾ male	<b>060G1023</b>
G ½ female to ¼ flare male	<b>060G1024</b>

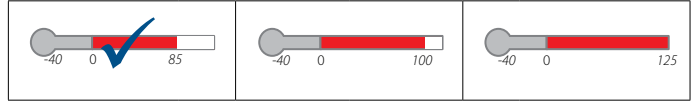
# MBS 3100 compact pressure transmitter



## Design



## Temperature



The compact ship approved pressure transmitter MBS 3100 is designed for use in almost all marine applications, and offers a reliable pressure measurement, even under harsh environmental conditions.

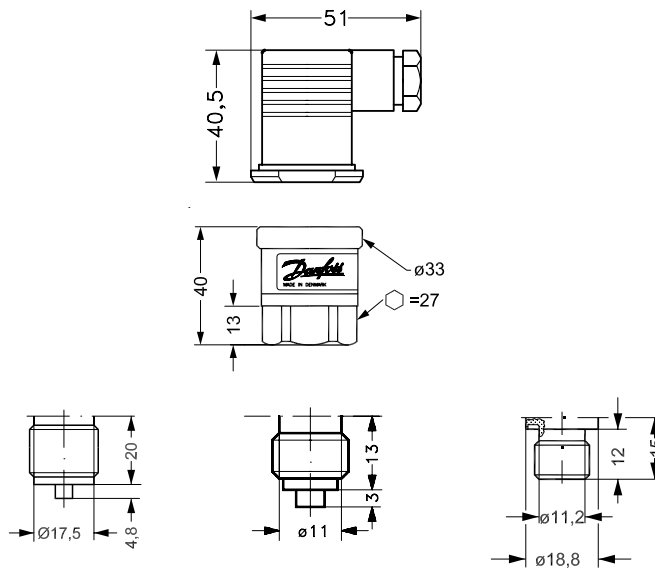
The flexible pressure transmitter programme covers a 4 – 20 mA output signal, absolute and gauge (relative) versions, measuring ranges from 0 – 1 to 0 – 600 bar, plug and cable connections and a wide range of pressure connections.

Excellent vibration stability, robust construction, and a high degree of EMC/EMI protection equip the pressure transmitter to meet the most stringent marine requirements.

- 4 – 20 mA output signal
- Operating temperature -40 – 85 °C
- Measuring range 0 – 600 bar
- Standard pressure connection G ¼A DIN 16288, G ¼A, O-ring DIN 3852 G ½A DIN 16288
- Available with all relevant marine approvals
- Suited for marine applications
- Wetted parts: stainless steel (AISI 316)

## Dimensions and weight:

Weight: 0.2 kg



All dimensions in millimetres

Approvals: CE, UL, UL Hazloc, Ex-N, Gost, LR, DNV, GL, RINA, ABS, BV, NKK, PRS, MRS, CSS

## MBS 3100 compact pressure transmitter

Accuracy: +/- 0.5% FS (typ.)

Media temperature: -40 – 85 °C

Output signal: 4 – 20 mA

Electrical connections: EN 175301-803-A, Pg 11

Range: Flexible – many different electrical and pressure connections available



Measuring range P <sub>e</sub> [bar] <sup>1)</sup>	Pressure connection			Code numbers
	G ¼ A EN 837	G ¼ A, O-ring DIN 3852	G½ A EN 837	
0 – 4	✓			<b>060G1367</b>
0 – 6	✓			<b>060G1368</b>
0 – 10	✓			<b>060G1369</b>
0 – 16	✓			<b>060G1370</b>
0 – 25	✓			<b>060G1371</b>
0 – 40	✓			<b>060G1372</b>
0 – 4		✓		<b>060G1463</b>
0 – 6		✓		<b>060G1464</b>
0 – 10		✓		<b>060G1465</b>
0 – 16		✓		<b>060G1466</b>
0 – 25		✓		<b>060G1467</b>
0 – 40		✓		<b>060G1468</b>
-1 – 1.5 <sup>2)</sup>			✓	<b>060G5600</b>
-1 – 5 <sup>2)</sup>			✓	<b>060G5601</b>
0 – 4			✓	<b>060G1469</b>
0 – 6			✓	<b>060G1470</b>
0 – 10			✓	<b>060G1471</b>
0 – 16			✓	<b>060G1472</b>
0 – 25			✓	<b>060G1473</b>
0 – 40			✓	<b>060G3388</b>

<sup>1)</sup> Gauge / relative

<sup>2)</sup> Sealed gauge

## Spare parts and accessories for MBS 3100

### Plugs



Description	Code number
EN 175301-803-A, Pg 9 plug	<b>060G0008</b>
EN 175301-803-A, Pg 11 plug	<b>060G0007</b>
EN 175301-803-A, Pg 13.5 plug	<b>060G0005</b>
EN 175301-803-A, plug with 5 m cable	<b>060G1034</b>

### Adapters



Description	Code number
G ½ female to G ¼ male	<b>060G1021</b>
G ½ female to G ¼ (DIN 3852) male	<b>060G1022</b>
G ½ female to ⅜ male	<b>060G1023</b>
G ½ female to ¼ flare male	<b>060G1024</b>
G ½ female with pulse-snubber	<b>060G0252</b>



### Plug in display

Type	Description	Code number
MBD 1000	Microprocessor controlled plug-in display	<b>060G2850</b>

### Isolating valve for pressure connection in compliance with DIN 3852-E



Type	Female thread	Male thread	Code number
MBV 2000	G ¼ DIN 3852	G ¼ DIN 3852-E	<b>061B6001</b>
MBV 2000	G ¼ DIN 3852	G ½ DIN 3852-E	<b>061B6002</b>
MBV 2000	G ½ DIN 3852	G ½A DIN 3852-E	<b>061B6003</b>
MBV 2000	G ¼ DIN 3852	¼-18 NPT DIN 3866-A	<b>061B6004</b>

### Test valve

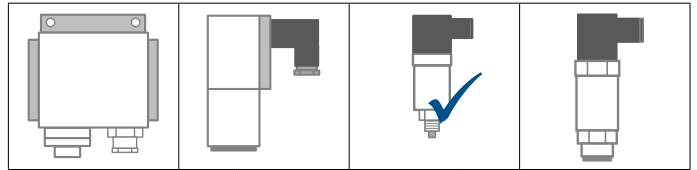


Type	Pressure range [bar]	Pressure connection	Transmitter connection	Code number
MBV 3000	0 – 120	DIN 3852-E-G¼	DIN 3852-X-G½	<b>061B6100</b>

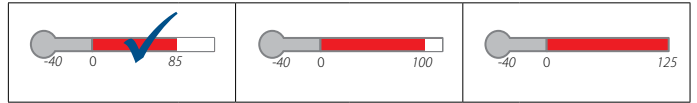
# MBS 3150 compact pressure transmitter with pulse-snubber



## Design



## Temperature



The compact ship approved pressure transmitter MBS 3150 is designed for use in marine applications with severe medium influences like cavitation, liquid hammer or pressure peaks and offers a reliable pressure measurement, even under harsh environmental conditions.

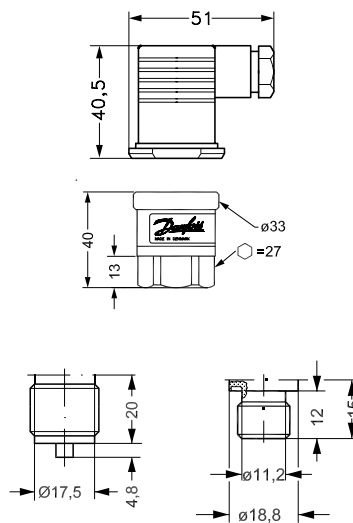
The flexible pressure transmitter programme covers a 4 – 20 mA output signal, absolute and gauge (relative) versions, measuring ranges from 0 – 1 to 0 – 600 bar, plug and cable connections and a wide range of pressure connections.

Excellent vibration stability, uniquely robust construction, and a high degree of EMC/EMI protection equip the pressure transmitter to meet the most stringent marine requirements.

- 4 – 20 mA output signal
- Operating temperature - 40 – 85 °C
- Measuring range 0 – 600 bar
- Standard pressure connection G ¼A, O-ring DIN 3852, G ½A DIN 16288
- With integrated pulse-snubber
- Available with all relevant marine approvals and designed to meet the strict demands on marine equipment
- Wetted parts: stainless steel (AISI 316)

## Dimensions and weight:

Weight: 0.2 kg



All dimensions in millimetres

Approvals: CE, UL, UL Hazloc, Ex-N, Gost, LR, DNV, GL, RINA, ABS, BV, NKK, PRS, MRS, CSS

## MBS 3150 compact pressure transmitter with pulse-snubber

Accuracy: +/- 0.5% FS (typ.)  
 Media temperature: -40 – 85 °C  
 Output signal: 4 – 20 mA  
 Electrical connections: EN 175301-803-A, Pg 11  
 Range: Flexible – many different electrical and pressure connections available



Measuring range P <sub>e</sub> [bar] <sup>1)</sup>	Pressure connection		Code numbers
	G ½ A EN 837	G ¼ A, O-ring DIN 3852	
0 – 6	✓		<b>060G1476</b>
0 – 10	✓		<b>060G1477</b>
0 – 6		✓	<b>060G1474</b>
0 – 10		✓	<b>060G1475</b>

<sup>1)</sup> Gauge / relative

## Spare parts and accessories for MBS 3150

### Plugs



Description	Code number
EN 175301-803-A, Pg 9 plug	<b>060G0008</b>
EN 175301-803-A, Pg 11 plug	<b>060G0007</b>
EN 175301-803-A, Pg 13.5 plug	<b>060G0005</b>
EN 175301-803-A, plug with 5 m cable	<b>060G1034</b>

### Adapters



Description	Code number
G ½ female to G ¼ male	<b>060G1021</b>
G ½ female to G ¼ (DIN 3852) male	<b>060G1022</b>
G ½ female to ⅜ male	<b>060G1023</b>
G ½ female to ¼ flare male	<b>060G1024</b>
G ½ female with pulse-snubber	<b>060G0252</b>

### Plug in display



Type	Description	Code number
MBD 1000	Microprocessor controlled plug-in display	<b>060G2850</b>

### Isolating valve for pressure connection in compliance with DIN 3852-E



Type	Female thread	Male thread	Code number
MBV 2000	G ¼ DIN 3852	G ¼ DIN 3852-E	<b>061B6001</b>
MBV 2000	G ¼ DIN 3852	G ½ DIN 3852-E	<b>061B6002</b>
MBV 2000	G ½ DIN 3852	G ½A DIN 3852-E	<b>061B6003</b>

### Test valve

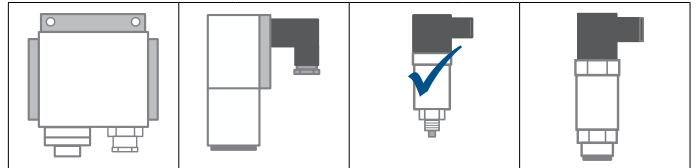


Type	Pressure range [bar]	Pressure connection	Transmitter connection	Code number
MBV 3000	0 – 120	DIN 3852-E-G½	DIN 3852-X-G¼	<b>061B6100</b>

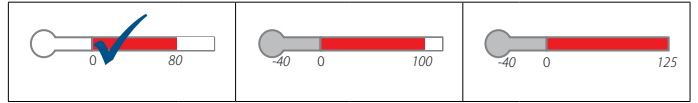
# MBS 1900, OEM pressure transmitter for compressed air and water pump applications



## Design



## Temperature °C

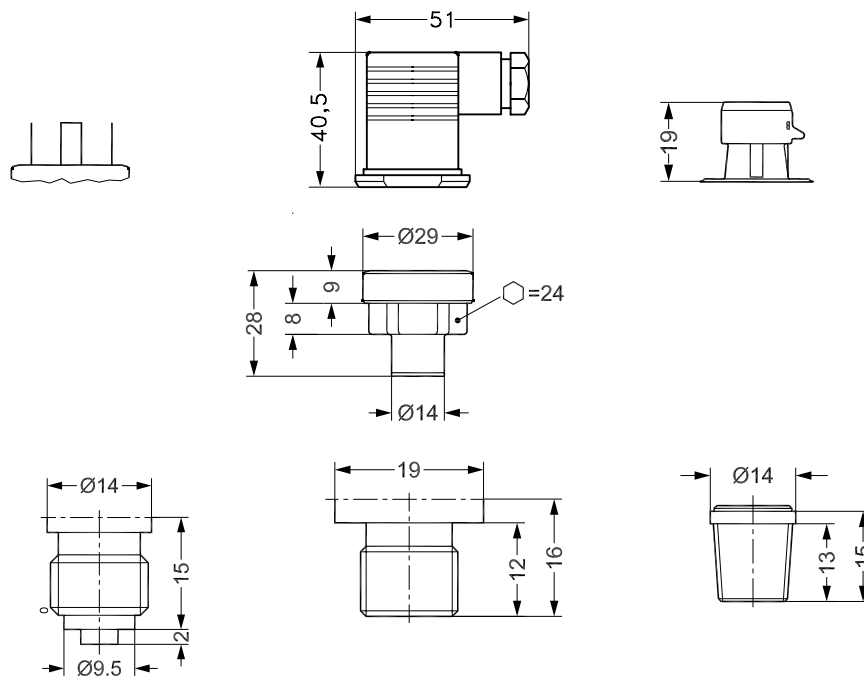


Pressure transmitter, type MBS 1900 is designed for use in air and water applications like booster pumps and air compressors. The pressure transmitter programme covers different output

signals, absolute and gauge (relative) versions, measuring ranges from 0 – 4 bar to 0 – 25 bar and a range of pressure and electrical connections.

## Dimensions and weight:

*Weight: 0.15 – 0.3 kg, depending on pressure / electrical connection*



*All dimensions in millimetres*

Approvals: CE, UL

## MBS 1900 pressure transmitter

Accuracy: +/- 1% FS

Media temperature: 0 – 80 °C

Digitally compensated



Measuring range P <sub>e</sub> [bar] <sup>1)</sup>	Output signal		Pressure connection			Electrical connection			Code number
	[mA]	Ratio- metric	G ¼ A EN 837	R ¼ ISO 7-1	G ¼ DIN 3852-E	No plug (EN 175301- 803-A)	Plug Pg 9 (EN 175301- 803-A)	Round Pack- ard Metripack 150.2	
0 – 6	4 – 20		✓			✓			<b>064G6501</b>
0 – 10	4 – 20		✓			✓			<b>064G6502</b>
0 – 10	4 – 20			✓			✓		<b>064G6543</b>
0 – 16	4 – 20		✓				✓		<b>064G6523</b>
0 – 16	4 – 20				✓	✓			<b>064G6511</b>
0 – 16	4 – 20				✓			✓	<b>064G6533</b>
0 – 16		✓			✓			✓	<b>064G6532</b>
0 – 16	4 – 20			✓			✓		<b>064G6542</b>
0 – 25	4 – 20		✓			✓			<b>064G6504</b>

<sup>1)</sup> Gauge / relative

## Spareparts and accessories for MBS 1900



### Plug

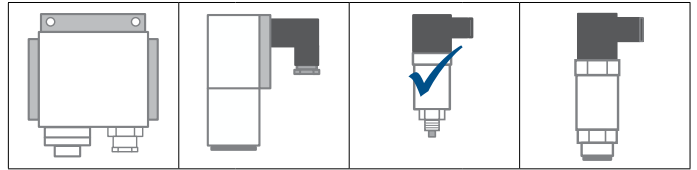
Description	Code number
EN 175301-803-A, Pg 9 plug	<b>060G0008</b>
EN 175301-803-A, plug with 5 m cable	<b>060G1034</b>



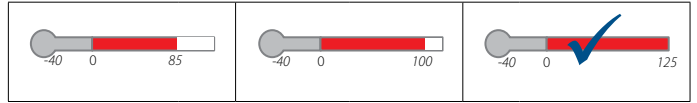
# MBS 1200/1250 OEM pressure transmitters for use in severe hydraulic applications



## Design



## Temperature



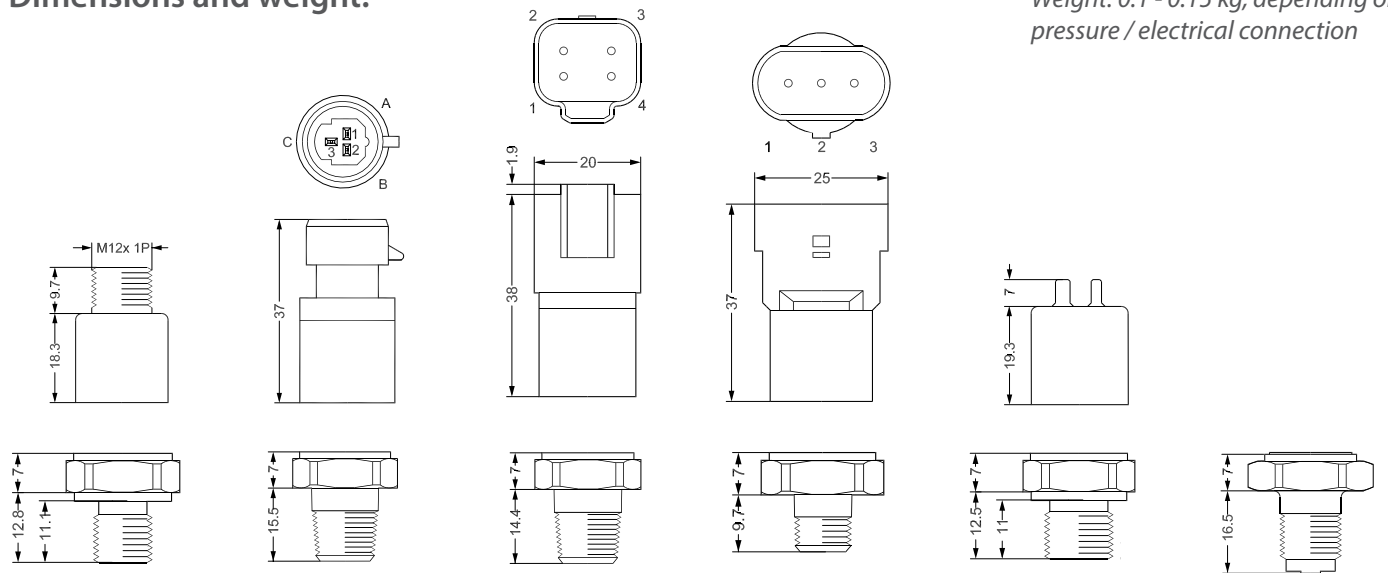
The OEM pressure transmitter, types MBS 1200 & MBS 1250 are based on a thin-film technology ensuring an excellent vibration stability and an exceptional robustness as well as a high degree of EMI protection which enable them to meet the most severe hydraulic applications.

A wide choice of electrical outputs as well as pressure connections mean that the transmitters are suitable for most applications within the mobile hydraulic segment.

And the compact designs make them ideal for installations where space is at a premium.

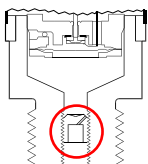
- Measuring range: 0 – 20 bar to 0 – 2200 bar
- Accuracy: +/- 0.5% FS
- Pressure reference: Gauge (relative)
- Output signal: mA, voltage and ratiometric

## Dimensions and weight:



Weight: 0.1 - 0.15 kg, depending on pressure / electrical connection

All dimensions in millimetres



MBS 1250 has an integrated pulse-snubber offering a high degree of protection against cavitations and liquid hammer. Cavitation, liquid hammer and pressure peaks may occur in liquid filled hydraulic systems with changes in flow velocity, e.g. fast closing of a valve or pump starts and stops. The problem may occur on the inlet and outlet side, even at rather low operating pressures.

For ordering please contact your nearest Danfoss dealer.

## MBS1200

Accuracy:  $\pm 0.5$  FS

Media temperature:  $-40$   $-125^{\circ}\text{C}$

Measuring range $P_e$ [bar] <sup>1)</sup>	Output signal		Pressure connection DIN 3852-E G 1/4	Electrical connection		Code number
	[mA]	[V]		EN 60947-5-2 M12x1	Rectangular connector	
0 - 7	4 - 20		✓	✓		<b>063G1407</b>
0 - 10		✓	✓	✓		<b>063G1632</b>
0 - 40	4 - 20		✓	✓		<b>063G1159</b>
0 → 250	4 → 20		✓	✓		<b>063G1410</b>

## MBS1250

Accuracy:  $\pm 0.5$  FS

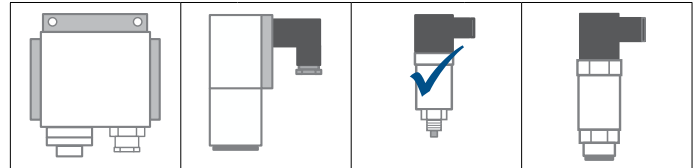
Media temperature:  $-40$   $-125^{\circ}\text{C}$

Measuring range $P_e$ [bar] <sup>1)</sup>	Output signal		Pressure connection DIN 3852-E G 1/4	Electrical connection		Code number
	[mA]	[V]		EN 60947-5-2 M12x1	Rectangular connector	
0 - 400	4 - 20		✓	✓		<b>063G1123</b>
0 - 600	4 - 20		✓	✓		<b>063G1125</b>
0 - 10	4 - 20		✓	✓		<b>063G1133</b>
0 - 250		✓	✓	✓		<b>063G1068</b>
0 - 16	4 - 20		✓		✓	<b>063G1218</b>
0 - 250	4 - 20		✓	✓		<b>063G1229</b>

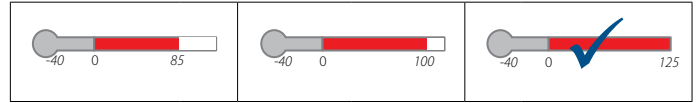
# MBS 1300/1350 OEM electronic pressure switch with dual output for severe hydraulic applications



## Design



## Temperature



The OEM pressure switch and transmitter, types MBS 1300 and MBS 1350 are based on thin-film technology providing excellent vibration stability, robust construction and a high degree of EMI protection. These features among others ensure that the transmitters meet the most stringent industrial standards.

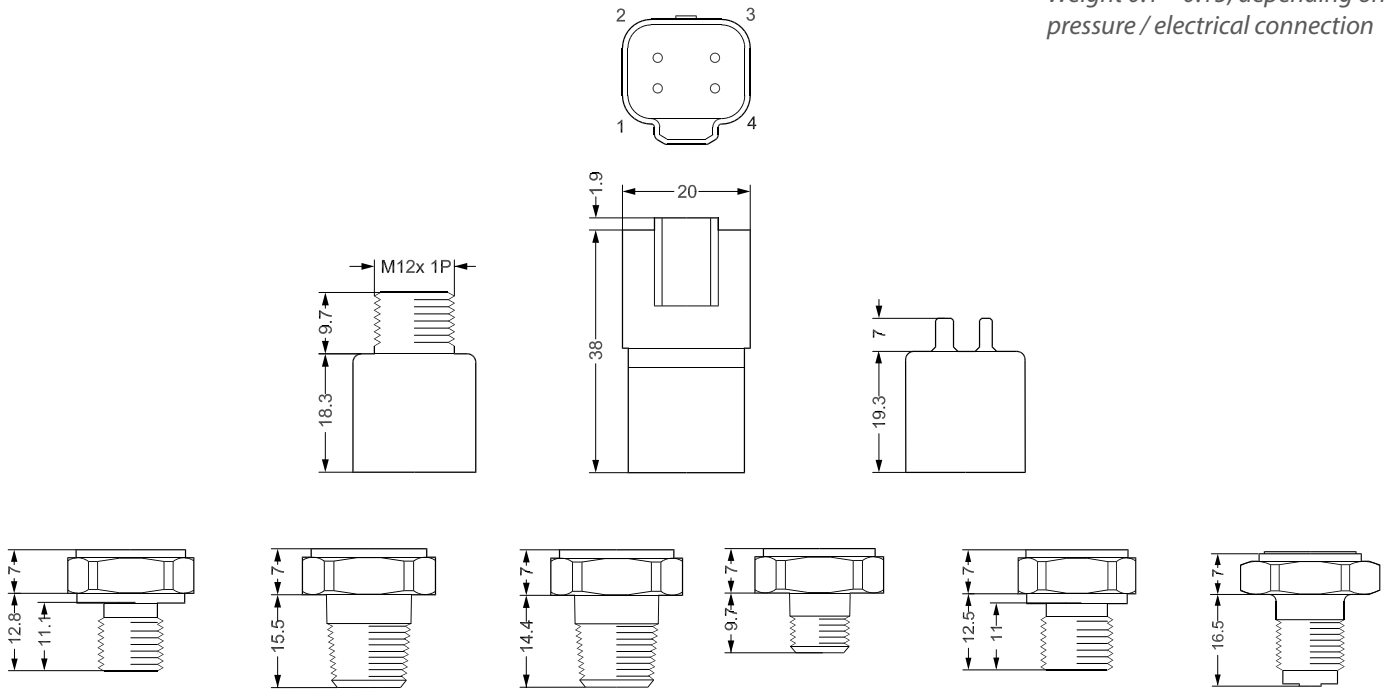
## Two products in one:

The range is a compact dual-output product dedicated for hydraulic applications, where a combination of pressure signal output and/or pressure switch function is requested.

Pressure ranges (system):	20 – 2,200 bar
Pressure set point (typical):	10 – 110% calibrated range - switch point set at factory
DC switch current limit:	350mA (at 125 Centigrade)
Switch Options:	PNP (switch to Battery) or NPN (Open Collector format, switch to ground)
Mobile Hydraulic Certifications:	Designs compliant with ISO7637 standards
Supply voltage:	Compatible with 12V or 24V regulated supplies

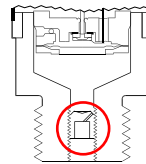
## Dimensions and weight:

Weight 0.1 – 0.15, depending on pressure / electrical connection



All dimensions in millimetres

MBS 1350 has an integrated pulse-snubber offering a high degree of protection against cavitations and liquid hammer. Cavitation, liquid hammer and pressure peaks may occur in liquid filled hydraulic systems with changes in flow velocity, e.g. fast closing of a valve or pump starts and stops. The problem may occur on the inlet and outlet side, even at rather low operating pressures.

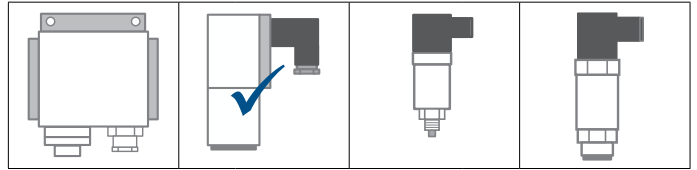


For ordering please contact your nearest Danfoss dealer.

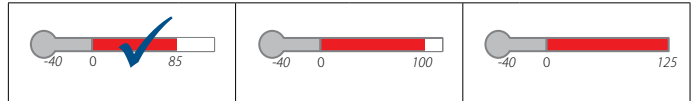
# MBS 5100 pressure transmitter



## Design



## Temperature



The ship approved high accuracy pressure transmitter MBS 5100 is designed for use in almost all marine applications, and offers a reliable pressure measurement, even under harsh environmental conditions.

The pressure transmitter programme in block design covers a 4 – 20 mA output signal, absolute and gauge (relative) versions, measuring ranges from 0 – 1 to 0 – 600 bar, zero point and span adjustment, plug connection and female/flange pressure connections.

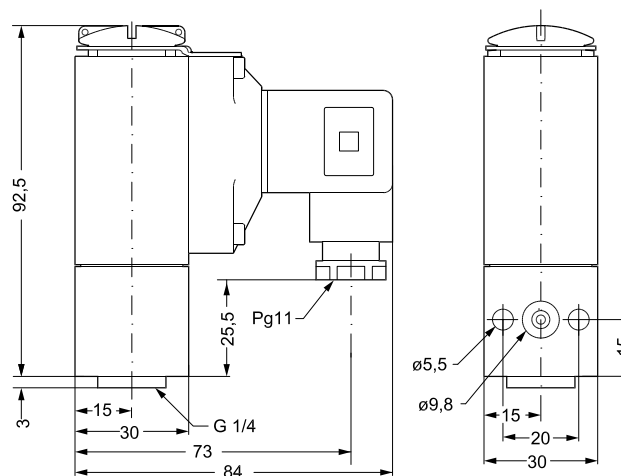
Excellent vibration stability, robust construction, and a high

degree of EMC/EMI protection equip the pressure transmitter to meet the most stringent industrial requirements.

- 4 – 20 mA output signal
- Operating temperature -40 – 85 °C
- Measuring range 0 – 600 bar
- Pressure connection G 1/4 female
- Available with all relevant marine approvals
- Designed to meet the strict demands in marine equipment
- Wetted parts: stainless steel (AISI 316)

## Dimensions and weight:

Weight: 0.4 kg



All dimensions in millimetres

Approvals: CE, UL, UL Hazloc, Ex-N, Gost, LR, DNV, GL, RINA, ABS, BV, NKK, PRS, MRS, CSS

## MBS 5100 pressure transmitter

Accuracy: +/- 0.1% FS (typ.)

Media temperature: -40 – 85 °C

Output signal: 4 – 20 mA

Electrical connections: EN 175301-803-A, Pg 11

Zero and span adjustment



Measuring range $P_e$ [bar] <sup>1)</sup>	Pressure connection G ¼ with flange	Code number
0 – 1	✓	060N1032
0 – 2,5	✓	060N1033
0 – 4	✓	060N1034
0 – 6	✓	060N1035
0 – 10	✓	060N1036
0 – 16	✓	060N1037
0 – 25	✓	060N1038
0 – 40	✓	060N1039
0 – 60	✓	060N1040
0 – 100	✓	060N1041

<sup>1)</sup> Gauge / relative

## Spare parts and accessories for MBS 5100



### Plugs

Description	Code number
EN 175301-803-A, Pg 9 plug	060G0008
EN 175301-803-A, Pg 11 plug	060G0007
EN 175301-803-A, Pg 13.5 plug	060G0005
EN 175301-803-A, plug with 5 m cable	060G1034

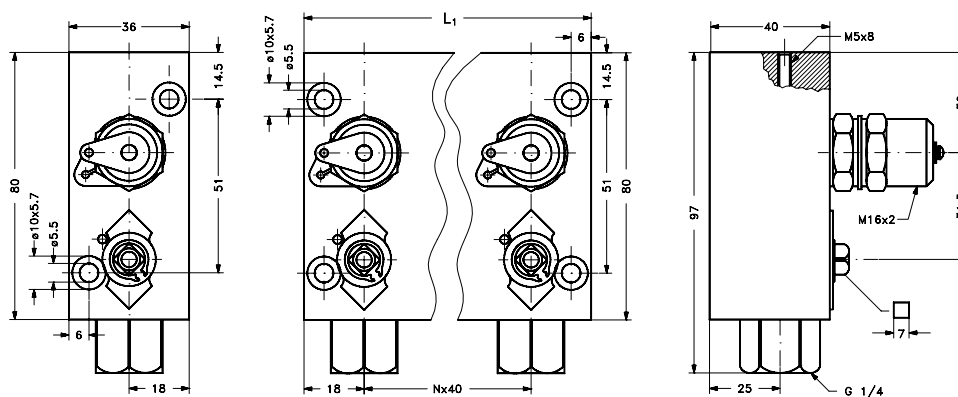
### MBV 5000 pressure test valve

Media temperature: -20 – 120 °C

Pressure connection: G 1/4 (Input)  
Flange / M5 x 8 (Output)

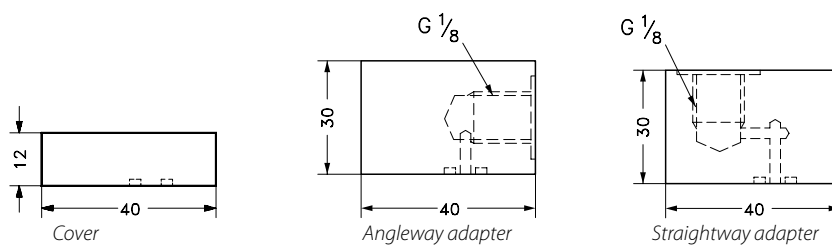


Output no.	Length (L <sub>1</sub> ) [mm]	Code numbers
x1	36	<b>061B7000</b>
x2	76	<b>061B7001</b>
x3	116	<b>061B7002</b>
x4	156	<b>061B7003</b>
x5	196	<b>061B7004</b>
x2	76	<b>061B7005</b>
x3	116	<b>061B7006</b>
x4	156	<b>061B7007</b>
x5	196	<b>061B7008</b>
x2	76	<b>061B7009</b>
x3	116	<b>061B7010</b>
x4	156	<b>061B7011</b>
x5	196	<b>061B7012</b>



Weight: 0.4 - 2 kg  
depending on the  
different configurations

All dimensions in millimetres



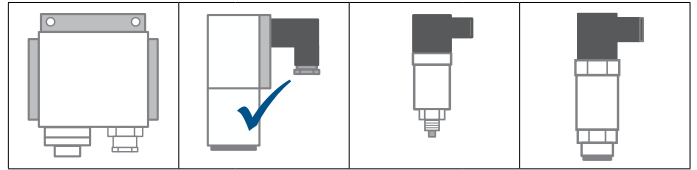
### Standard flange - G 1/8 adapters

Description	Code number
Cover	<b>061B720001</b>
Angleway adapter	<b>061B720101</b>
Straightway adapter	<b>061B720201</b>

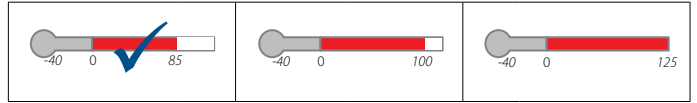
# MBS 5150 pressure transmitters with pulse-snubber



## Design



## Temperature



The ship approved high accuracy pressure transmitter MBS 5150 is designed for use in marine applications with severe medium influences like cavitation, liquid hammer or pressure peaks, and offers a reliable pressure measurement, even under harsh environmental conditions.

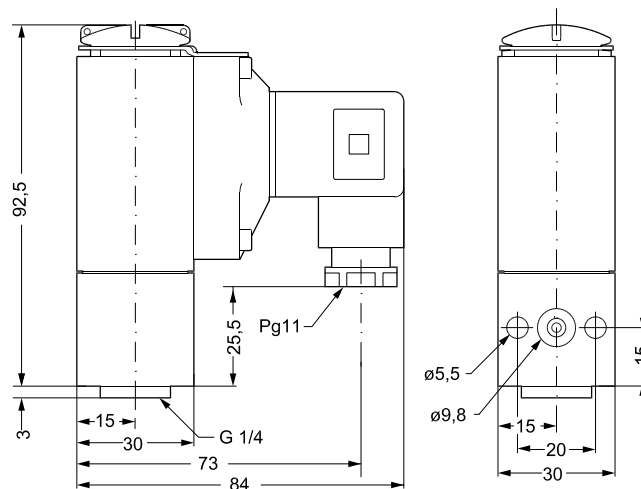
The pressure transmitter programme in block design covers a 4 – 20 mA output signal, absolute and gauge (relative) versions, measuring ranges from 0 – 1 to 0 – 600 bar, zero point and span adjustment, plug connection and female/flange pressure connections.

Excellent vibration stability, robust construction, and a high degree of EMC/EMI protection equip the pressure transmitter to meet the most stringent industrial requirements.

- 4 – 20 mA output signal
- Operating temperature -40 – 85 °C
- Measuring range 0 – 600 bar
- Pressure connection G 1/4 female
- With integrated pulse-snubber
- Available with all relevant marine approvals
- Designed to meet the strict demands in marine equipment
- Wetted parts: stainless steel (AISI 316)

## Dimensions and weight:

Weight: 0.4 kg



All dimensions in millimetres

Approvals: CE, UL, UL Hazloc, Ex-N, Gost, LR, DNV, GL, RINA, ABS, BV, NKK, PRS, MRS, CSS



## MBS 5150 pressure transmitter with pulse-snubber

Accuracy: +/- 0.1% FS (typ.)  
 Media temperature: -40 – 85 °C  
 Output signal: 4 – 20 mA  
 Electrical connections: EN 175301-803-A, Pg 11  
 Zero and span adjustment



Measuring range P <sub>e</sub> [bar] <sup>1)</sup>	Pressure connection G ¼ with flange	Code number
0 – 1	✓	<b>060N1081</b>
0 – 2,5	✓	<b>060N1083</b>
0 – 4	✓	<b>060N1084</b>
0 – 6	✓	<b>060N1063</b>
0 – 10	✓	<b>060N1064</b>
0 – 16	✓	<b>060N1065</b>
0 – 25	✓	<b>060N1085</b>
0 – 40	✓	<b>060N1066</b>
0 – 60	✓	<b>060N1086</b>
0 – 100	✓	<b>060N1087</b>

<sup>1)</sup> Relative / gauge

## Spare parts and accessories for MBS 5150

### Plugs



Description	Code number
EN 175301-803-A, Pg 9 plug	<b>060G0008</b>
EN 175301-803-A, Pg 11 plug	<b>060G0007</b>
EN 175301-803-A, Pg 13.5 plug	<b>060G0005</b>
EN 175301-803-A, plug with 5 m cable	<b>060G1034</b>

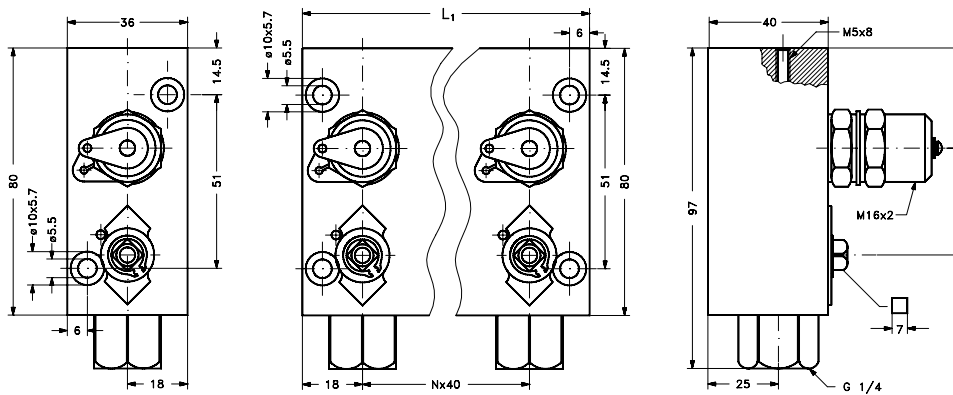
# MBV 5000 pressure test valve

Media temperature: -20 – 120 °C

Pressure connection: G 1/4 (Input)  
Flange / M5 x 8 (Output)



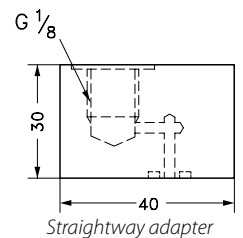
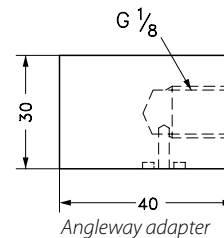
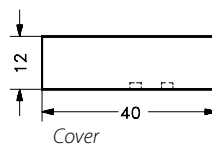
Output no.	Length (L <sub>1</sub> ) [mm]	Code numbers
x1	36	061B7000
x2	76	061B7001
x3	116	061B7002
x4	156	061B7003
x5	196	061B7004
x2	76	061B7005
x3	116	061B7006
x4	156	061B7007
x5	196	061B7008
x2	76	061B7009
x3	116	061B7010
x4	156	061B7011
x5	196	061B7012



Weight: 0.4 - 2 kg depending on the different configurations

All dimensions in millimetres

## Standard flange - G 1/8 adapters

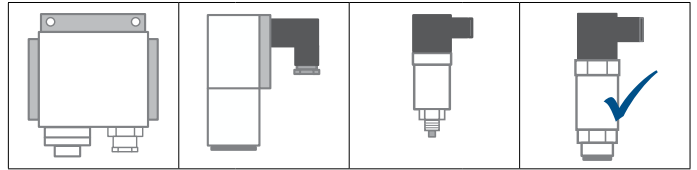


Description	Code number
Cover	061B720001
Angleway adapter	061B720101
Straightway adapter	061B720201

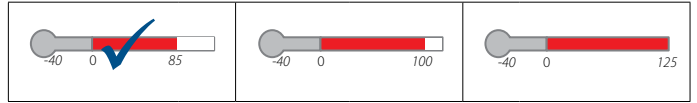
# MBS 4510 flush diaphragm pressure transmitter



## Design



## Temperature



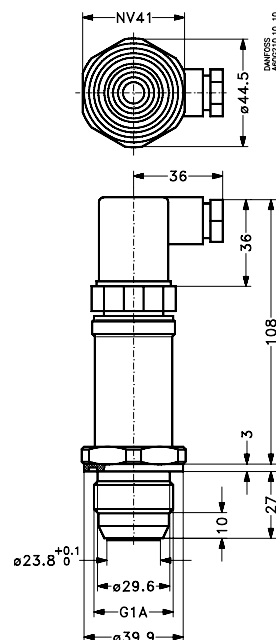
The high accuracy flush diaphragm pressure transmitter MBS 4510 is designed for use in non-uniform, high viscous or crystallizing media within industry, food and beverage, and offers a reliable pressure measurement, even under harsh environmental conditions.

The pressure transmitter programme covers a 4 – 20 mA output signal, absolute and gauge (relative) versions, measuring ranges from 0 – 250 mbar til 0 – 25 bar, zero point and span adjustment, plug connection and a G1A conic pressure connection with a flush mounted diaphragm.

Excellent vibration stability, robust construction, and a high degree of EMC/EMI protection equip the pressure transmitter to meet the most stringent industrial requirements.

- 4 – 20 mA output signal
- Operating temperature -10 – 85 °C
- Measuring ranges 0 – 250 mbar to 0 – 25 bar
- Available with many different pressure connections
- With zero point and span adjustment
- With flush diaphragm
- For use in food and beverage industry as well as industrial applications with aggressive, heterogeneous and highly viscous media
- Wetted parts: stainless steel (AISI 316)

## Dimensions and weight:



Weight: 0.4 kg

All dimensions in millimetres

Approvals: CE, UL, UL Hazloc, Ex-N, Gost

## MBS 4510 flush diaphragm pressure transmitter

Accuracy: +/- 0.2% FS (typ.)  
 Media temperature: -10 – 85 °C  
 Output signal: 4 – 20 mA  
 Electrical connections: EN 175301-803-A, Pg 9  
 Zero and span adjustment



Measuring range P <sub>e</sub> [bar] <sup>1)</sup>	Pressure connection G 1 A with cone	Code number
0 – 0.25	✓	<b>060G2418</b>
0 – 0.4	✓	<b>060G2419</b>
0 – 0.6	✓	<b>060G2420</b>
0 – 1	✓	<b>060G2421</b>
0 – 1.6	✓	<b>060G2422</b>
0 – 2.5	✓	<b>060G2423</b>
0 – 4	✓	<b>060G2424</b>
0 – 6	✓	<b>060G2425</b>
0 – 10	✓	<b>060G2426</b>
0 – 16	✓	<b>060G2427</b>
0 – 25	✓	<b>060G2428</b>

<sup>1)</sup> Gauge / relative

## Spare parts and accessories for MBS 4510

### Adapters

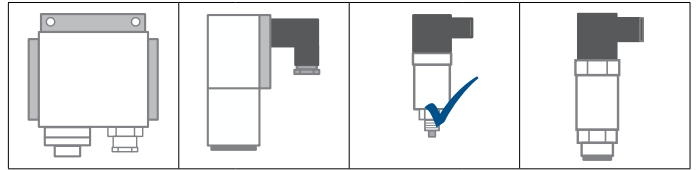


Description	Code number
Welding nipple for conic metal/metal seal	<b>060G2501</b>
DIN 11851 (diary connection) DN40	<b>060G2505</b>
DIN 11851 (diary connection) DN50	<b>060G2506</b>
Clamp, ISO 2852, 1½ in	<b>060G2502</b>
Clamp, ISO 2852, 2 in	<b>060G2510</b>
SMS 1145 connection, 1½ in	<b>060G2503</b>

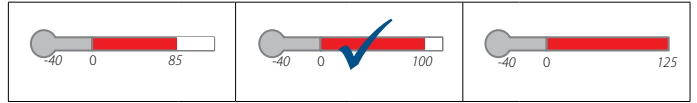
# MBS 9200 Low pressure transmitter



## Design



## Temperature



The compact pressure transmitter MBS 9200 is designed for use in industrial applications e.g. crankcase and turbocharger on industrial engines, filter monitoring as well as applications within level measurement.

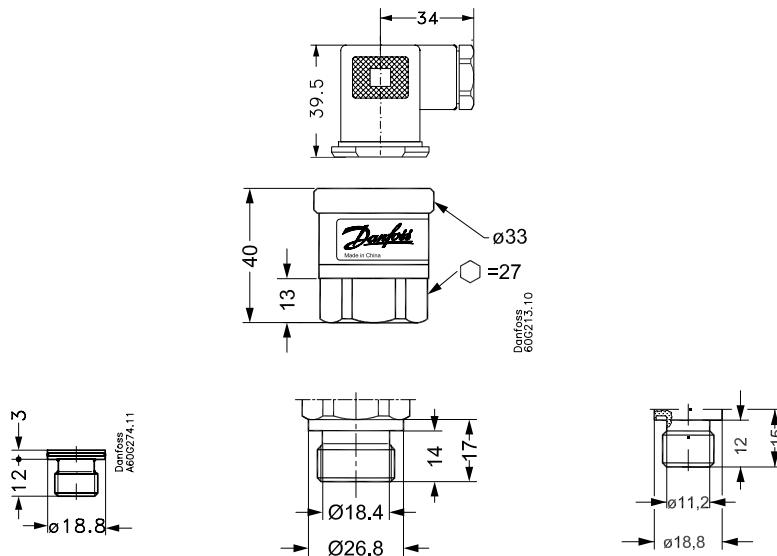
The programme cover 4 – 20 mA and ratiometric output signal, gauge versions, pressure span from 40 – 250 mbar as well as bidirectional ranges e.g. -70 – 70 mbar etc.

Excellent vibration stability, robust construction, and a high degree of EMC / EMI protection equip the pressure transmitter to meet the most stringent industrial requirements..

- 4 – 20 mA or ratiometric output signal
- Full scale span from 40 – 250 mbar as well as bidirectional ranges e.g. -70 – 70 mbar etc. (lowest zero point -100 mbar)
- Digital temperature compensated
- Reverse polarity protection
- With build-in clipping function and self-dianostic on request
- Enclosure and wetted parts of stainless steel (AISI 316L)
- Customer specific version on request

## Dimensions and weight:

Weight: 0.2 kg



All dimensions in millimetres

Approvals: CE

## MBS 9200 Low pressure transmitter

**Accuracy:**  $\pm 0.5 - \pm 2\%$  FSS (depending on pressure span)  
**Media temperature:**  $-25^{\circ} - 100^{\circ} \text{C}$  (depending on gasket material)  
**Output signal:** 4 – 20 mA  
**Electrical connections:** EN 175301-803-A, Pg 9  
**Range:** Flexible, different electrical and pressure connections available



Measuring range $P_e$ [bar] <sup>1)</sup>	Pressure connection		Gasket		Code numbers
	DIN 3852-E-G1/4 Gasket: DIN 3869-14	DIN 3852-E-G1/4 Gasket: DIN 3869-14	FPM	NBR	
0.02 – 0.02		✓	✓		<b>064G5225</b>
0 – 0.1	✓		✓		<b>064G5214</b>
0 – 0.1		✓		✓	<b>064G5222</b>
0 – 0.15	✓		✓		<b>064G5216</b>
0 – 0.25	✓		✓		<b>064G5215</b>
0 – 0.25	✓			✓	<b>064G5218</b>

<sup>1)</sup> Gauge / relative

## Spare parts and accessories for MBS 9200

### Plugs



Description	Code number
EN 175301-803-A, Pg 9 plug	<b>060G0008</b>
EN 175301-803-A, Pg 11 plug	<b>060G0007</b>

### Plug in display

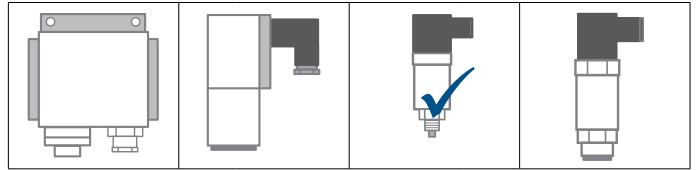


Type	Description	Code number
MBD 1000	Microprocessor controlled plug-in display	<b>060G2850</b>

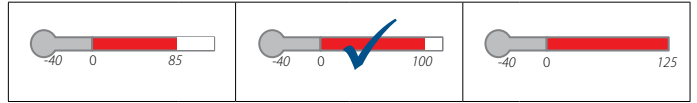
# MBS 9300 Low pressure transmitter



## Design



## Temperature



The compact pressure transmitter MBS 9300 is designed for use in industrial applications e.g. crankcase and turbocharger on marine engines, filter monitoring as well as applications within level measurement.

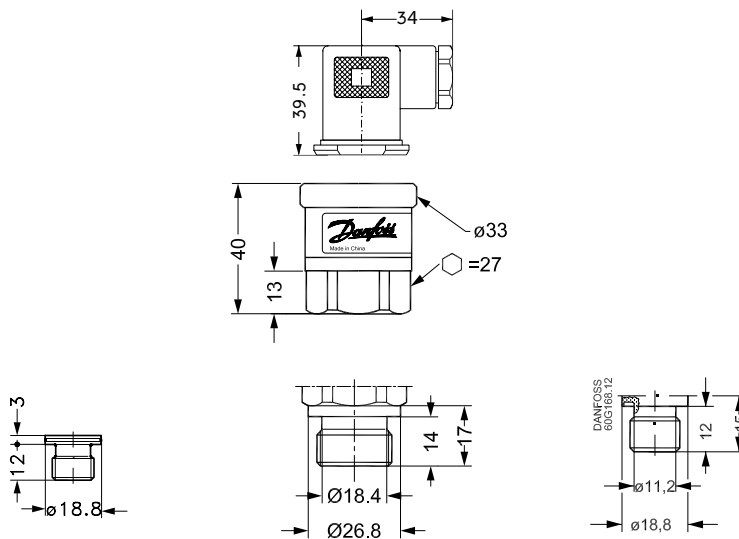
The programme cover 4 – 20 mA output signal, gauge versions, pressure span from 40 – 250 mbar as well as bidirectional ranges e.g. -70 – 70 mbar etc.

Excellent vibration stability, robust construction, and a high degree of EMC / EMI protection equip the pressure transmitter to meet the most stringent industrial requirements..

- 4 – 20 mA output signal
- Full scale span from 40 – 250 mbar as well as bidirectional ranges e.g. -70 – 70 mbar etc. (lowest zero point -100 mbar)
- Digital temperature compensated
- Reverse polarity protection
- With build-in clipping function and self-dianostic on request
- Enclosure and wetted parts of stainless steel (AISI 316L)
- Customer specific version on request

## Dimensions and weight:

Weight: 0.2 kg



All dimensions in millimetres

Approvals: CE, DNV, BV, ABS, LR, RINA, KR

## MBS 9300 Low pressure transmitter

**Accuracy:**  $\pm 0.5 - \pm 2\%$  FSS (depending on pressure span)  
**Media temperature:**  $-25^{\circ} - 100^{\circ}\text{C}$  (depending on gasket material)  
**Output signal:** 4 – 20 mA  
**Electrical connections:** EN 175301-803-A, Pg 9  
**Range:** Flexible, different electrical and pressure connections available



Measuring range $P_e$ [bar] <sup>1)</sup>	Pressure connection		Gasket		Code numbers
	DIN 3852-E-G1/4 Gasket: DIN 3869-14	DIN 3852-E-G1/2 Gasket: DIN 3869-14	FPM	NBR	
- 0.07 – 0.07	✓		✓		<b>064G5202</b>
- 0.03 – 0.03	✓		✓		<b>064G5201</b>
- 0.02 – 0.02	✓			✓	<b>064G5207</b>
0 – 0.25	✓		✓		<b>064G5228</b>
0 – 0.04	✓		✓		<b>064G5221</b>
0 – 0.06	✓		✓		<b>064G5219</b>
0 – 0.1	✓			✓	<b>064G5224</b>
0 – 0.1		✓		✓	<b>064G5226</b>

<sup>1)</sup> Gauge / relative

## Spare parts and accessories for MBS 9300

### Plugs



Description	Code number
EN 175301-803-A, Pg 9 plug	<b>060G0008</b>
EN 175301-803-A, Pg 11 plug	<b>060G0007</b>
EN 175301-803-A, Pg 13.5 plug	<b>060G0005</b>

### Plug in display



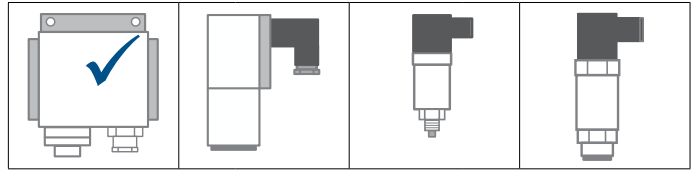
Type	Description	Code number
MBD 1000	Microprocessor controlled plug-in display	<b>060G2850</b>



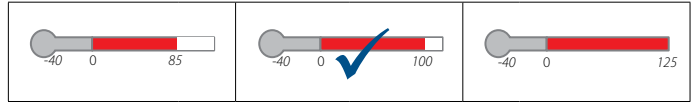
# EMP 2 pressure transmitters



## Design



## Temperature



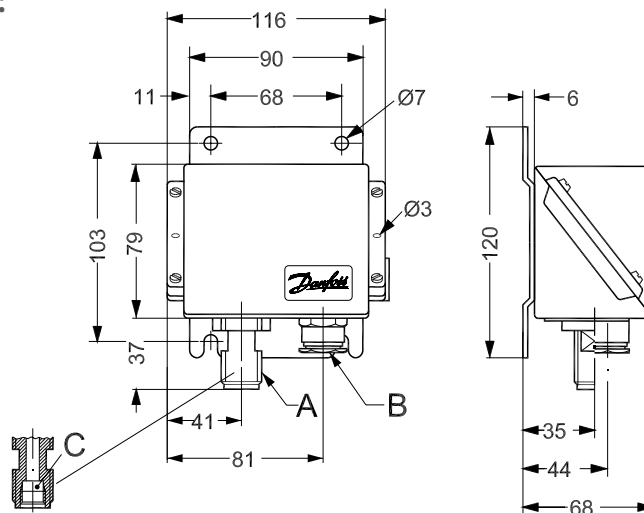
The ship approved pressure transmitter EMP 2 is designed for use in almost all marine and industrial applications, and offers a reliable pressure measurement, even under harsh environmental conditions.

The pressure transmitter programme in box design covers a 4 – 20 mA output signal, gauge (relative) versions, measuring ranges from 0 – 1 to 0 – 400 bar, zero point and span adjustment, Pg 13.5 cable entry and different pressure connections. A robust construction enables the pressure transmitter to meet the strictest requirements.

- 4 – 20 mA output signal
- Operating temperature -10 – 70 °C
- Measuring range 0 – 400 bar
- Pressure connections G ¼, G ½A standard, G ¾A mano
- With zero point and span adjustment
- Available with all relevant marine approvals
- For use in harsh industrial / marine environments
- Wetted parts: stainless steel (AISI 316)

## Dimensions and weight:

Weight: 1 kg



A: G ½A (G ¾A mano)  
 B: Pg 13.5  
 C: G ¼

All dimensions in millimeters

Approvals: CE, UL, UL Hazloc, Ex-N, Gost, LR, DNV, GL, RINA, ABS, BV, NKK, PRS, MRS, CSS

## EMP 2 pressure transmitters

Accuracy: +/- 0.3 % FS  
 Media temperature: -40 – 100 °C  
 Output signal: 4 – 20 mA  
 Electrical connections: Terminal block, Pg 13.5  
 Zero and span adjustment



Operating pressure P <sub>e</sub> [bar] <sup>1)</sup>	Pressure connection		Code number
	G ½ A	G ¾ A	
-1 – 1.5 <sup>1)</sup>	✓		<b>084G2100</b>
-1 – 5 <sup>1)</sup>	✓		<b>084G2101</b>
0.2 – 1	✓		<b>084G2102</b>
0 – 1	✓		<b>084G2103</b>
0 – 1.6	✓		<b>084G2104</b>
0 – 2.5	✓		<b>084G2105</b>
0 – 4	✓		<b>084G2106</b>
0 – 4		✓	<b>084G2206</b>
0 – 6	✓		<b>084G2107</b>
0 – 6		✓	<b>084G2207</b>
0 – 6	✓		<b>084G2108</b>
0 – 10	✓		<b>084G2109</b>
0 – 10		✓	<b>084G2209</b>
0 – 10	✓		<b>084G2110</b>
0 – 16	✓		<b>084G2111</b>
0 – 16		✓	<b>084G2211</b>
0 – 25	✓		<b>084G2112</b>
0 – 40	✓		<b>084G2113</b>
0 – 40		✓	<b>084G2213</b>
0 – 60	✓		<b>084G2114</b>
0 – 100	✓		<b>084G2115</b>
0 – 160	✓		<b>084G2116</b>
0 – 250	✓		<b>084G2117</b>
0 – 400	✓		<b>084G2118</b>
-1 – 9 <sup>1)</sup>	✓		<b>084G2120</b>

<sup>1)</sup> Gauge / relative

## Spareparts and accessories for EMP

### Damping coil

Description	Material	Code number
G ¾ unions and 1.5 m capillary tube.	Copper	<b>060-104766</b>
G ½ unions and 1 m capillary tube.	Stainless steel	<b>060-016966</b>
G ¾ unions and 1 m capillary tube. Armoured.	Copper	<b>060-333366</b>



### Nipple

Description	Material	Code number
G ¼ A x G ¾ A with copper washer.	Brass	<b>060-333266</b>
G ¼ A x M10 ext. x 1 with copper washer.	Brass	<b>060-333866</b>



# Temperature sensors

Serving a broad, global market within diverse and demanding industries, Industrial Automation is your one-stop partner for industrial control components. Through Danfoss Industrial Automation you gain access to the entire Danfoss pool of technology for a wide range of industries.

## **HYDRAULICS**

In a world depending on infrastructure, mobile hydraulic equipment is key to making modern living possible for an ever growing population. Whether used in construction, agriculture or for material handling, mobile hydraulics equipment offers efficiency, economy, safety and environmental advantages.

## **MARINE**

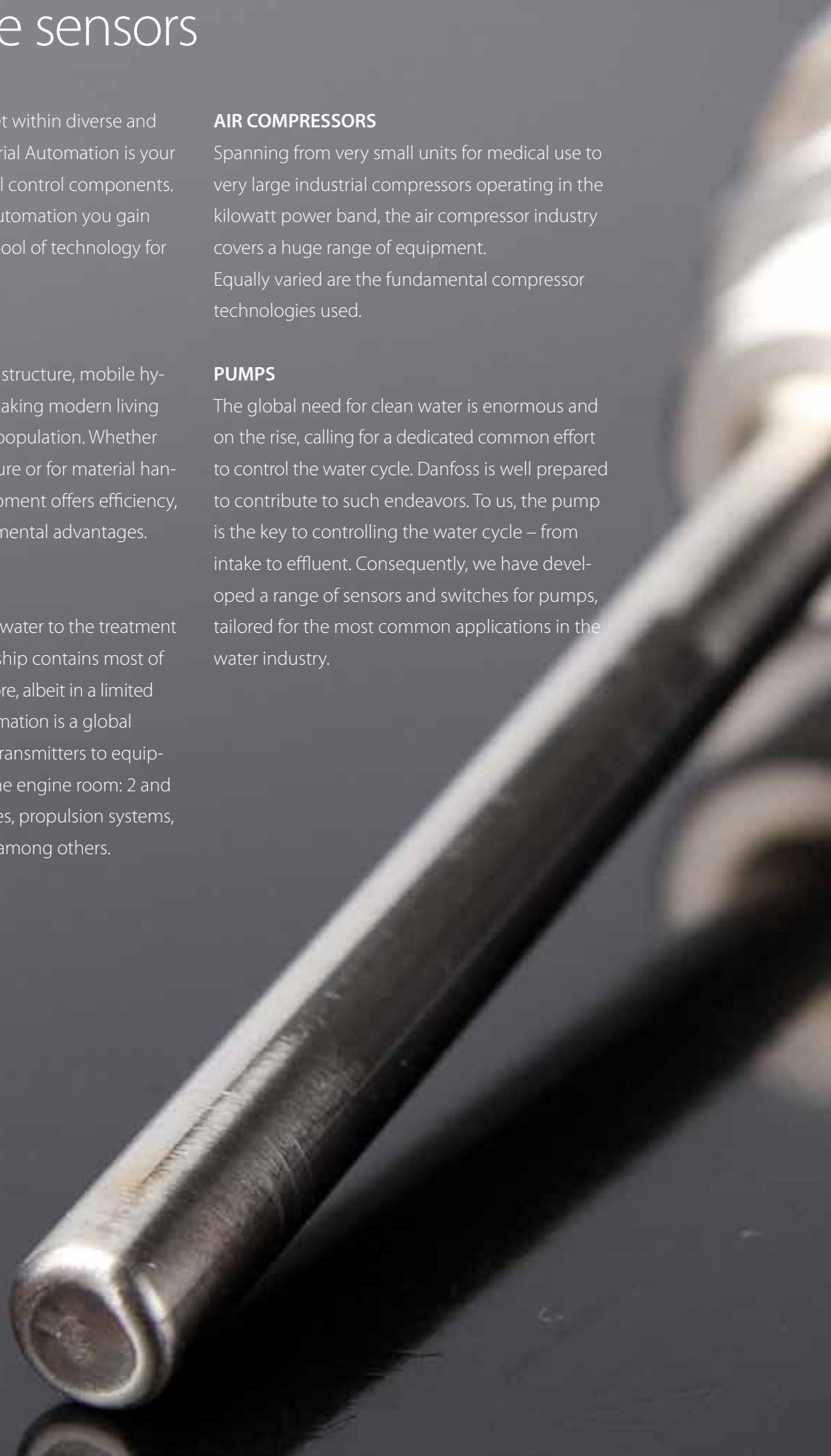
From the handling of sewage water to the treatment of exhaust gasses: A modern ship contains most of the applications found on shore, albeit in a limited space. Danfoss Industrial Automation is a global leader in supplying pressure transmitters to equipment placed in and around the engine room: 2 and 4 stroke diesel and gas engines, propulsion systems, fuel treatment, oil separators among others.

## **AIR COMPRESSORS**

Spanning from very small units for medical use to very large industrial compressors operating in the kilowatt power band, the air compressor industry covers a huge range of equipment. Equally varied are the fundamental compressor technologies used.

## **PUMPS**

The global need for clean water is enormous and on the rise, calling for a dedicated common effort to control the water cycle. Danfoss is well prepared to contribute to such endeavors. To us, the pump is the key to controlling the water cycle – from intake to effluent. Consequently, we have developed a range of sensors and switches for pumps, tailored for the most common applications in the water industry.



## Examples



Onboard complex, new ships, the MBT temperature sensor control that vital parts of the propulsion system all run perfectly, within the parameters of safe operation.



On wind turbines, helping to increase the amount of wind-produced power worldwide, the MBT temperature sensor gives reliable readings of hydraulic oil temperatures.

# Temperature sensors

in this catalogue



	MBT3250	MBT 3270	MBT 3560	MBT 153	MBT 5250	MBT 5252	MBT 5113	MBT 5116	
Segments	Transportation								
	Heating and sanitation								
	Machine and equipment								
	Energy								
Characteristics	Pt 100/Pt 1000	✓	✓		✓	✓	✓	✓	
	NTC/PTC	✓	✓		✓	✓	✓		
	Transmitter	mAV d.c.							
	Transmitter as option						mA	mA	
	Measuring insert	Changeable	Fixed	Fixed	Fixed	Changeable	Changeable	Changeable	Changeable
	Medium temperature	-50 – 200 °C (-58 – 392 °F)	-50 – 300 °C (-58 – 572 °F)	-50 – 200 °C (-58 – 392 °F)	-50 – 200 °C (-58 – 392 °F)	-50 – 200 °C (-58 – 392 °F)	-50 – 400 °C (-58 – 752 °F)	-50 – 800 °C (-58 – 1472 °F)	-50 – 600 °C (-58 – 1112 °F)
	Enclosure	IP65 (NEMA 4)	IP65 (NEMA 4)	IP65/IP67 (NEMA 4/ NEMA 6)	IP67 (NEMA 6)	IP65 (NEMA 4)	IP65 (NEMA 4)	IP65 (NEMA 4)	IP65 (NEMA 4)
	Material protection tube	W.no. 1.4571 (AISI 316 Ti)	W.no. 1.4571 (AISI 316 Ti)	W.no. 1.4571 (AISI 316 Ti)	W.no. 1.4571 (AISI 316 Ti)	W.no. 1.4571 (AISI 316 Ti)	W.no. 1.4571 (AISI 316 Ti)	W.no. 1.4571 (AISI 316 Ti)	W.no. 1.4571 (AISI 316 Ti)
	Reaction time t0.5 in water (sec)	9 s	1.5 s	10 s	1 s	9 s	12 s	30 s	30 s
	Marine approvals					✓	✓	✓	✓



Marine and mobile hydraulics



Boiler and boiler room equipment, sterilisers and autoclaves



Electric power and wind turbines



Industrial hydraulics, air compressors, water pumps and industrial engines

# Temperature sensors that can take the heat

An outstanding temperature sensor performance is characterised by:

- The element
- The ability to react fast and precise
- The packaging

## 1 Elements

- RTD (Pt100/Pt1000) – for standardised signals and high accuracy the RTD's are a perfect choice
- Changeable measuring insert

## 2 The ability to react fast and precise

Special care has been put into the design of the sensor in relation to the reaction time. A specially developed sensor element fixture ensures contact between the element and the housing material in order to secure a fast heat transfer from the media to the sensor element. On top of this the sensor construction ensures minimum radiation of heat, which results in a measurement very close to the actual temperature of the media.

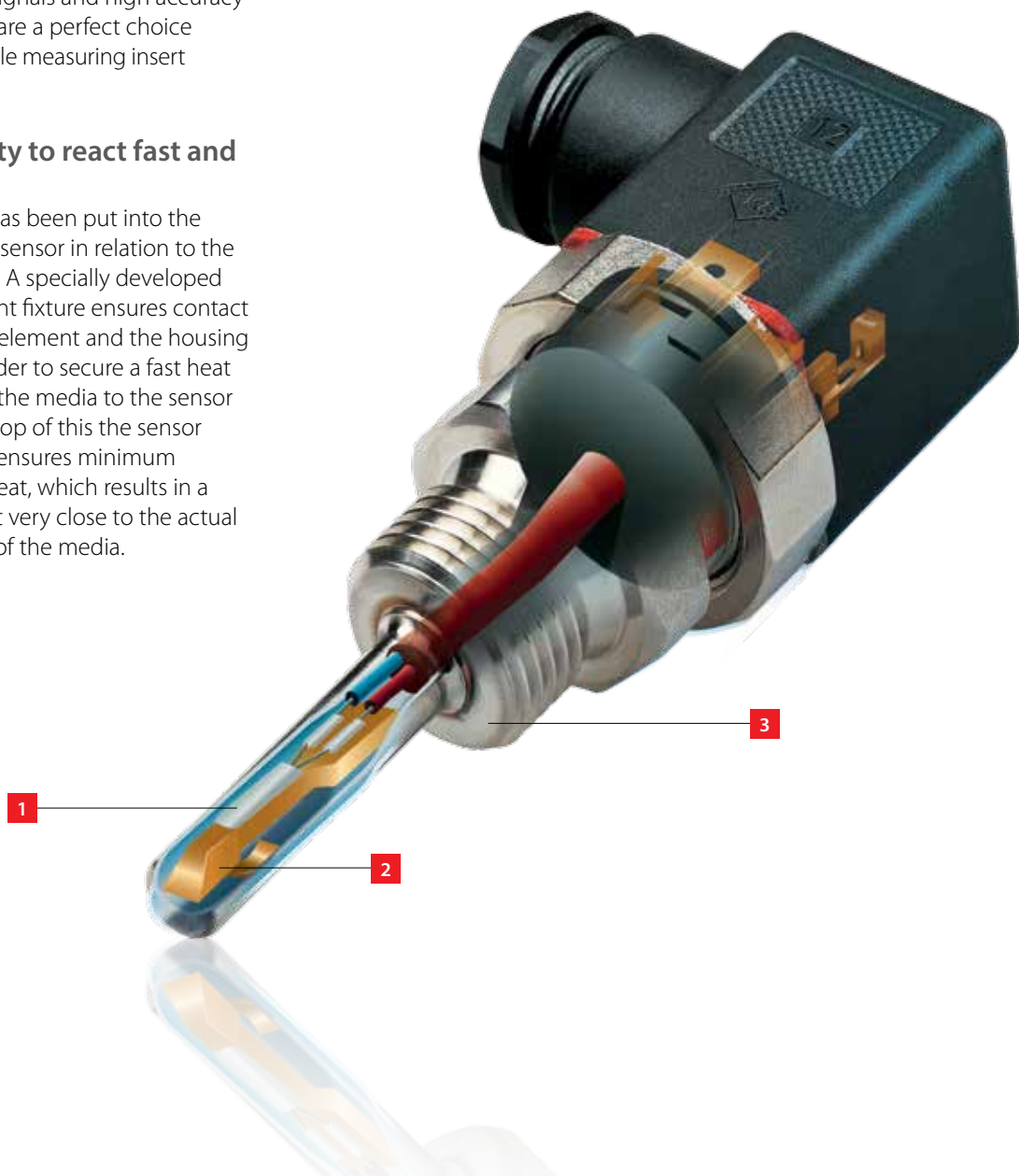
## 3 Packaging

The sensor design offers long-life stability through:

- High shock and vibration stability
- High enclosure grade IP65

Sensor material:

- Stainless steel (AISI 316)
- Gold plated contacts to secure flawless signal



# MBT 3250 temperature sensor



The MBT 3250 is a heavy-duty temperature sensor that can be used for controlling cooling water, lubrication oil, hydraulic oil and refrigeration plants within general industry applications.

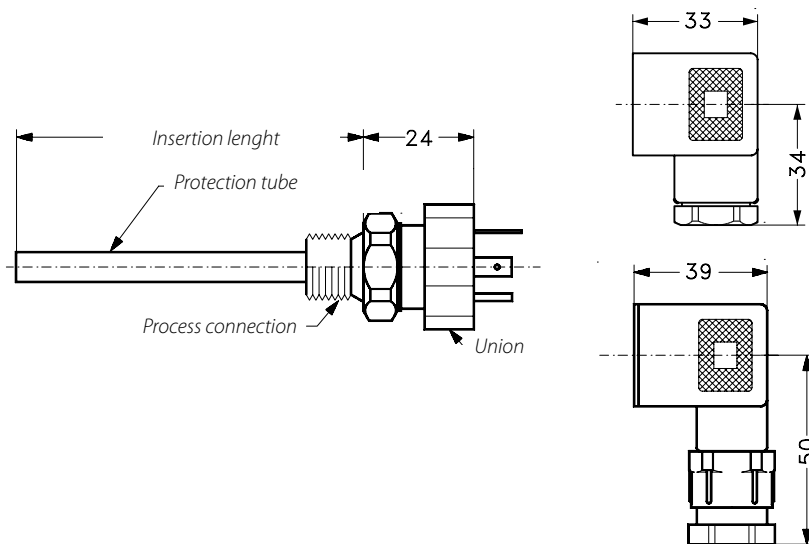
This temperature sensor is based on a standardized Pt100 or Pt1000 element, which gives a reliable and accurate measurement. The MBT 3250 can be delivered with NTC/PTC elements on request.

The measuring insert is based on a silicone cable, which makes the sensor very resistant towards vibrations. All parts in contact with the media are made of stainless steel AISI 316 Ti. The MBT 3250 is equipped with a EN 175301-803-A, Pg 9 plug as standard, but can be delivered with M12 or DIN 72585 Bayonet on request.

- For gaseous or liquid media, e.g. air, gas, vapour, water or oil
- Up to 200 °C media temperatures
- Pt100 or Pt1000 resistance element
- Can be used with 2- or 3-wire connections
- Gold plated male and female connector
- Interchangeable measuring insert
- Wetted parts: Stainless Steel (AISI 316)

## Dimensions and weight:

Weight: 0.145 – 0.220 kg  
depending on insertion length



All dimensions in millimetres

Approvals: CE

## MBT 3250 temperature sensor

Measuring range: -50 – 200 °C

Resistance element: 1 x Pt 100

Extension length: None



Insertion length [mm]	Process connection size	Electrical connection: EN 175301-803-A		Code number
		Pg 9	Pg 11	
50	G ½ A	✓		<b>084Z2446</b>
50	G ½ A		✓	<b>084Z2447</b>
50	G ¾ A		✓	<b>084Z2448</b>
100	G ¾ A		✓	<b>084Z2449</b>
100	G ½ A	✓		<b>084Z2450</b>
100	G ½ A		✓	<b>084Z2451</b>
150	G ½ A		✓	<b>084Z2452</b>
150	G ½ A	✓		<b>084Z2453</b>
150	G ¾ A			<b>084Z2454</b>
150	G ¾ A		✓	<b>084Z2455</b>
200	G ½ A	✓		<b>084Z2456</b>
200	G ½ A		✓	<b>084Z2457</b>
200	G ¾ A			<b>084Z2458</b>
200	G ¾ A		✓	<b>084Z2459</b>
50	G ¾ A			<b>084Z2460</b>
100	G ¾ A			<b>084Z2461</b>



# MBT 3270 temperature sensors



The flexible temperature sensor MBT 3270 can be used in many industrial applications such as: Air Compressors, Mobile Hydraulics and Exhaust gas return systems.

In other words application where robustness, size and performance are essentials.

The sensor can be equipped with different sensing element (RTD, NTC and PTC) and is available with different electrical connections (Cable, Delphi Metri Pack, AMP junior power Timer, Deutch DT04).

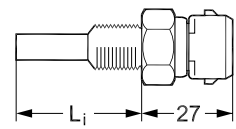
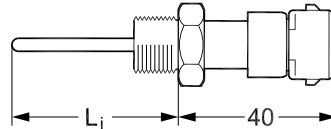
- Robust, high protection against moisture
- Fixed measuring insert
- Brass or stainless steel
- Very low response times
- Temperature range up to 300 °C
- Wetted parts: Stainless Steel (AISI 316)

## Dimensions and weight:

Weight: 0.085 kg



-50 – 300 °C



-50 – 150 °C

All dimensions in millimetres

## MBT 3270 temperature sensors

Fixed measuring insert

Very low response times



Resistance element		Insertion length (L <sub>i</sub> ) [mm]	Temperature range [°C]	Insertion Ø [mm]	Electrical connection			Code number
Pt 100	Pt 1000				AMP	Cable [m]	Deutsch	
✓		24	-50 – 150	6	✓			<b>084Z2014</b>
	✓	28	-50 – 150	4.2	✓			<b>084Z2012</b>
✓		40	-50 – 300	3	✓			<b>084Z2018</b>
✓		40	-50 – 300	3			✓	<b>084Z2019</b>
✓		40	-50 – 300	3		2		<b>084Z2021</b>

Approvals: CE

# MBT 3560 temperature sensors with built-in transmitter

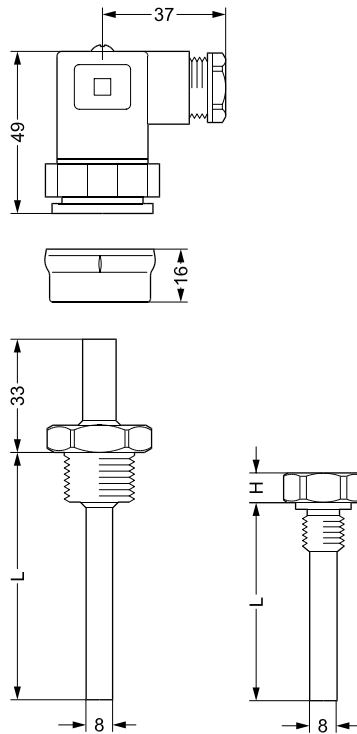


With MBT 3560 we have combined the technology of our standard temperature sensors and the electrical connections from the MBS pressure transmitters with a new developed electronics which has resulted in a compact temperature sensor with a built-in transmitter. The MBT 3560 is designed for use in harsh industrial environments where reliable, robust and accurate equipment is required. Available with a wide selection of process and electrical connections. Can be delivered with a 33 mm extension length which makes it possible to measure temperatures up to 200 °C without damaging the built-in electronics.

- Ultra compact design
- Acid-resistant stainless steel enclosure (AISI 316L)
- Temperature range -50 – 200 °C
- Pt 1000 resistance element
- Output signals: 4 – 20 mA or Ratiometric
- Protection tube:  $\varnothing$  8 mm
- Multiple insertion lengths: 50 – 250 mm
- Wetted parts: Stainless Steel (AISI 316)

## Dimensions and weight:

Weight: 0.15 kg – 0.22 kg  
depending on insertion length



$L$  = Insertion length  
 $H$  = 9 mm

All dimensions in millimetres

Approvals: CE

## MBT 3560 Temperature sensors with built-in transmitter

Measuring range: -50 – 200 °C  
 Electrical connection: EN175301-803A, Pg 9  
 Resistance element: Pt 1000  
 Protection tube: Ø 8 mm  
 Process connection: G ¼ A



Insertion length [mm]	Transmitter output 4 – 20 mA	Transmitter settings [°C]	Extension length [mm]	Code number
50	✓	0 – 100	-	<b>084Z4030</b>
100	✓	0 – 100	-	<b>084Z4031</b>
150	✓	0 – 100	-	<b>084Z4032</b>
200	✓	0 – 100	-	<b>084Z4033</b>
250	✓	0 – 100	-	<b>084Z4034</b>
50	✓	0 – 200	33	<b>084Z4035</b>
100	✓	0 – 200	33	<b>084Z4036</b>
150	✓	0 – 200	33	<b>084Z4037</b>
200	✓	0 – 200	33	<b>084Z4038</b>
250	✓	0 – 200	33	<b>084Z4039</b>

## Spare part and accessories

### Sensor pocket

Instertion length [mm]	Pocket insertion length [mm]	Process connection G ½ A	Protection tube Ø 11 [mm]	Code number
50	37.50	✓	✓	<b>084Z7258</b>
100	87.50	✓	✓	<b>084Z7259</b>
150	137.50	✓	✓	<b>084Z7260</b>
200	187.50	✓	✓	<b>084Z7261</b>
250	237.50	✓	✓	<b>084Z7262</b>



### Plug in display

Type	Description	Code number
MBD 1000	Microprocessor controlled plug-in display	<b>060G2850</b>



## MBT 153 cable-type temperature sensors



The MBT 153 is a heavy-duty temperature sensor that can be used for controlling cooling water and ventilation systems within general industry and marine applications.

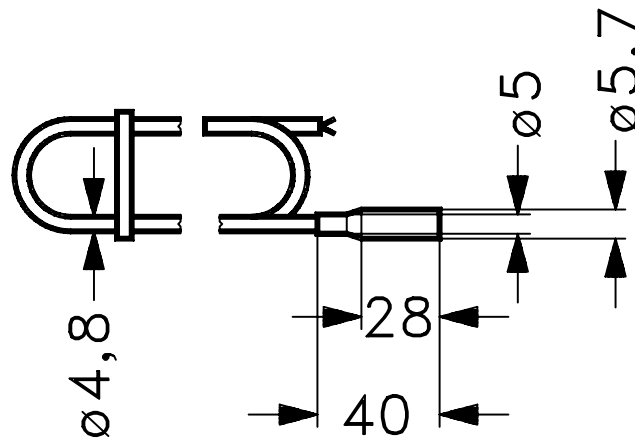
This temperature sensor is based on a standardized Pt100 or Pt1000 element, which gives a reliable and accurate measurement. On request the MBT 153 can also be delivered with NTC/PTC elements. The sensor is based on a stainless steel housing with a cable, which makes the sensor extremely flexible.

The MBT 153 can be combined with a sensor pocket to protect the silicone cable from the media. The MBT 153 has a PVC or silicone cable as standard but it can be delivered with teflon cable on request.

- Temperature range -50 – 200 °C
- Short response times
- Pt100 or Pt1000 resistance element
- 2- or 4-wire connection
- Wetted parts: Stainless Steel (AISI 316)

---

### Dimensions and weight:



Weight: 0.120 kg – 0.425 kg  
depending on cable length

All dimensions in millimetres

---

Approvals: CE, LR, DNV, ClassNK

## MBT 153 cable-type temperature sensors

Measuring range: -50 – 200 °C

Short response time

Resistance element		Cable length [m]	Cable type		Wires [pcs]	Code number
Pt 100	Pt 1000		PVC	Silicone		
✓		3.5	✓		2	<b>084Z6030</b>
✓		8.5	✓		2	<b>084Z6032</b>
	✓	3.5	✓		2	<b>084Z6033</b>
	✓	5.5	✓		2	<b>084Z6034</b>
	✓	8.5	✓		2	<b>084Z6035</b>
✓		3.5		✓	2	<b>084Z6036</b>
✓		5.5		✓	2	<b>084Z6037</b>
✓		8.5		✓	2	<b>084Z6038</b>
	✓	3.5		✓	2	<b>084Z6039</b>
✓		3.5		✓	4	<b>084Z6215</b>
✓		5.5		✓	4	<b>084Z6042</b>
✓		8.5		✓	4	<b>084Z6216</b>

## Spare parts and accessories

### Sensor pocket MBT 120

Insertion length [mm]	Process connections G ½ A	External diameter [mm]	Code number
50	✓	8	<b>084Z6050</b>
100	✓	8	<b>084Z6051</b>
200	✓	8	<b>084Z6053</b>
250	✓	8	<b>084Z6054</b>

# MBT 5250 temperature sensor

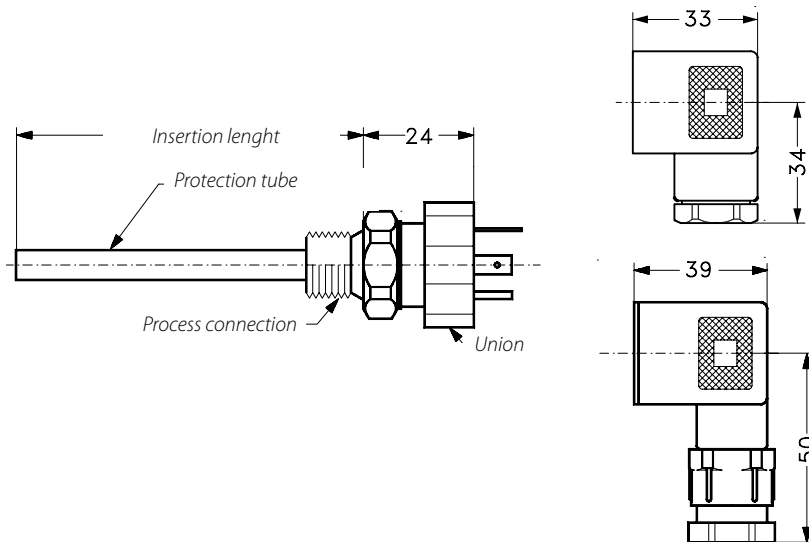


The MBT 5250 is a heavy-duty temperature sensor that can be used for controlling cooling water, lubrication oil, hydraulic oil and refrigeration plants within general industry and marine applications. This temperature sensor is based on a standardized Pt100 or Pt1000 element, which gives a reliable and accurate measurement. The MBT 5250 can be delivered with NTC/PTC elements on request. The measuring insert is based on a silicone cable, which makes the sensor very resistant towards vibrations. All parts in contact with the media are made of stainless steel AISI 316 Ti. The MBT 5250 is equipped with a EN 175301-803-A, Pg 9 plug as standard, but can be delivered with M12 or DIN 72585 Bayonet on request.

- For gaseous or liquid media, e.g. air, gas, vapour, water or oil
- Up to 200 °C media temperatures
- Pt100 or Pt1000 resistance element
- Can be used with 2- or 3-wire connections
- Gold plated male and female connector
- Interchangeable measuring insert
- Available with all relevant marine approvals
- Wetted parts: Stainless Steel (AISI 316)

## Dimensions and weight:

Weight: 0.145 – 0.220 kg  
depending on insertion length



All dimensions in millimetres

Approvals: CE, LR, GL BV, DNV, ClassNK, RINA, ABS, CCS

## MBT 5250 temperature sensor

Measuring range: -50 – 200 °C

Resistance element: 1 x Pt 100

Extension length: None



Insertion length [mm]	Process connection size	Electrical connection: EN 175301-803-A			Code number
		Pg 9	Pg 11	Pg 13.5	
50	G ½ A	✓			<b>084Z8011</b>
50	G ½ A		✓		<b>084Z8036</b>
50	G ¾ A		✓		<b>084Z8037</b>
100	G ¾ A		✓		<b>084Z8006</b>
100	G ½ A	✓			<b>084Z8012</b>
100	G ½ A		✓		<b>084Z8039</b>
150	G ½ A		✓		<b>084Z8008</b>
150	G ½ A	✓			<b>084Z8010</b>
150	G ¾ A			✓	<b>084Z8014</b>
150	G ¾ A		✓		<b>084Z8041</b>
200	G ½ A	✓			<b>084Z8022</b>
200	G ½ A		✓		<b>084Z8043</b>
200	G ¾ A			✓	<b>084Z8218</b>
200	G ¾ A		✓		<b>084Z8044</b>
50	G ¾ A			✓	<b>084Z8058</b>
100	G ¾ A			✓	<b>084Z8013</b>

# MBT 5252 temperature sensors



The MBT 5252 is a heavy-duty temperature sensor that can be used for controlling cooling water, lubrication oil, hydraulic oil and refrigeration plants within general industry and marine applications. This temperature sensor is based on a standardized Pt100 or Pt1000 element, which gives a reliable and accurate measurement. NTC/ PTC elements available on request.

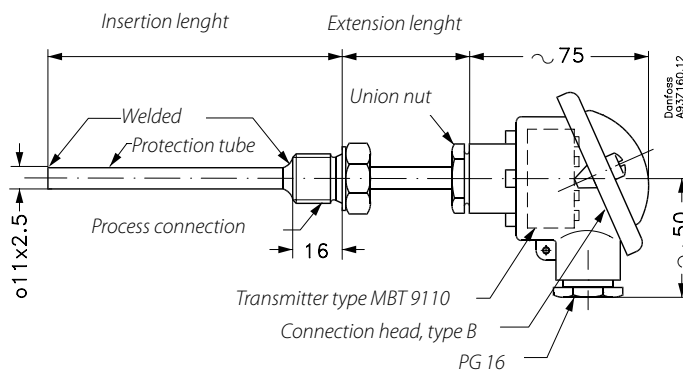
MBT 5252 can also be delivered with transmitter insert for 4 – 20 mA output. In the low temperature version (-50 – 200 °C) the measuring insert is based on a silicone cable, which makes the sensor very resistant towards vibrations.

All parts in contact with the media are made of stainless steel AISI 316 Ti. The MBT 5252 is equipped with a B-head as standard, but can be delivered with B-mini on request.

- For gaseous or liquid media, e.g. air, gas, vapour, water or oil
- Up to +400 °C media temperatures
- Available with built-in transmitter
- Available with all relevant marine approvals
- Wetted parts: Stainless Steel (AISI 316)

## Dimensions and weight:

*Weight: 0.37 – 0.45 kg  
depending on insertion length*



*All dimensions in millimetres*

Approvals: CE, LR, BV, DNV, ClassNK, RINA, ABS, KRS, CCS



## MBT 5252 temperature sensors

Measuring range: -50 – 200 °C

Resistance element: Pt 100

Connection head: B-head

Extension length: 50 mm



Insertion length [mm]	Transmitter output 4 – 20 mA	Transmitter setting 0 – 100 °C	Code Number	
			G ½A	G ¾A
50	-	-	<b>084Z8210</b>	<b>084Z8230</b>
80	-	-	<b>084Z6140</b>	<b>084Z6164</b>
100	-	-	<b>084Z8211</b>	<b>084Z8231</b>
150	-	-	<b>084Z8212</b>	<b>084Z8232</b>
200	-	-	<b>084Z8213</b>	<b>084Z8233</b>
250	-	-	<b>084Z6139</b>	<b>084Z6141</b>
50	✓	✓	<b>084Z8214</b>	<b>084Z8234</b>
80	✓	✓	<b>084Z6142</b>	<b>084Z6144</b>
100	✓	✓	<b>084Z8215</b>	<b>084Z8235</b>
150	✓	✓	<b>084Z8216</b>	<b>084Z8236</b>
200	✓	✓	<b>084Z8217</b>	<b>084Z8237</b>
250	✓	✓	<b>084Z6143</b>	<b>084Z6145</b>

# MBT 5113 Temperature sensor

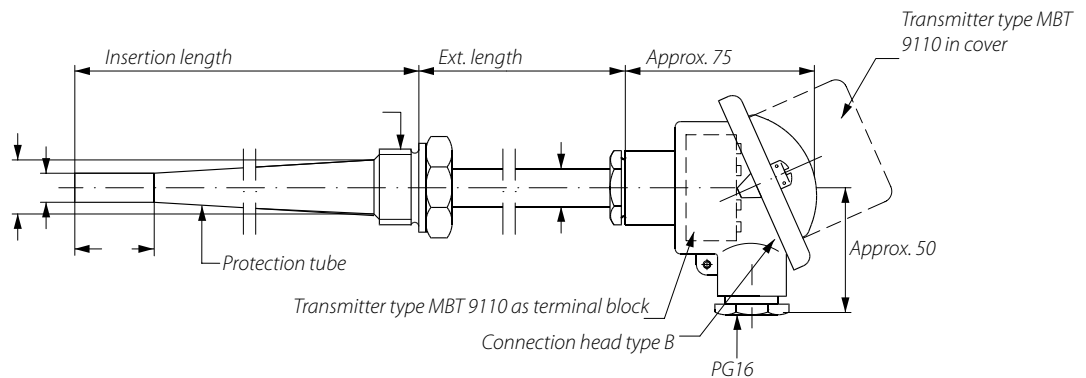


The MBT 5113 is a heavy-duty temperature sensor that can be used for measuring and regulating exhaust gas from diesel engines, turbines and compressors within stationary and marine applications. This temperature sensor is based on a type K thermo couple, which measures temperatures up to 800 °C. The measuring insert can be changed even while operating the application. All parts in contact with the media are made of stainless steel AISI 316 Ti. The sensor is delivered with B-head as standard and, if needed, a transmitter (MBT 9110) can be ordered as an integrated part of the sensor.

- With thermocouple up to 800 °C media temperature
- Available with built-in transmitter - with or without Eex ia IIC T4/T6 approval
- Available with all relevant marine approvals

## Dimensions and weight:

*Weight: 0.48 – 1.04 kg  
depending on insertion length  
and process connection  
(excl. transmitter)*



*All dimensions in millimetres*

*Approvals: CE, LR, BV, DNV, GL, Class NK, RINA, ABS, KRS CCS*

## MBT5113 Temperature sensor

Measuring range: -50 – 800 °C  
Measuring element: Thermocouple  
Connection head: B-head  
Process connection:  $\frac{3}{4}A$

Insertion length [mm]	Transmitter output 4 – 20 mA	Transmitter range 0 – 600 °C	Extension length [mm]	Code number
100	-	-	50	<b>084Z5052</b>
200	-	-	50	<b>084Z5248</b>
100	✓	✓	100	<b>084Z5276</b>
200	✓	✓	100	<b>084Z5277</b>

# MBT 5116 Temperature sensors



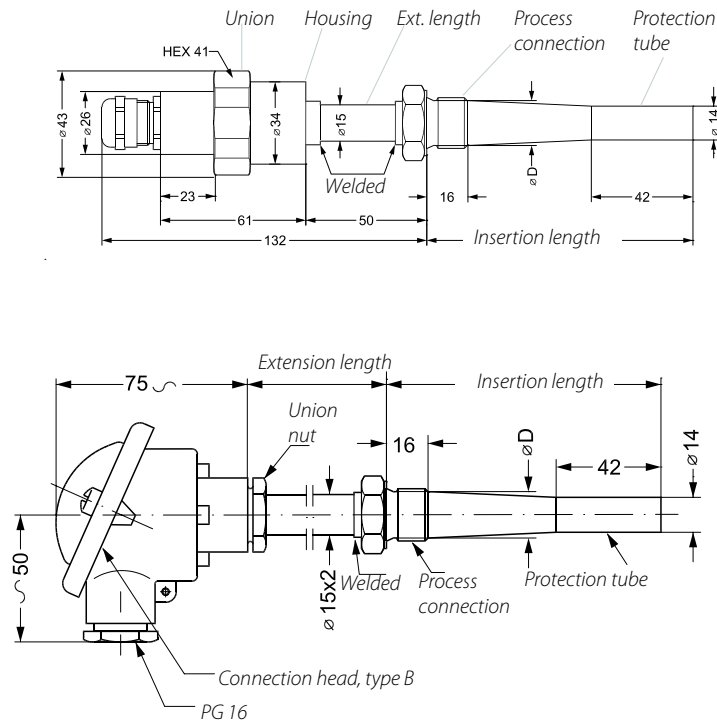
The MBT 5116 is a heavy-duty temperature sensor that can be used for measuring and regulating exhaust gas from diesel engines, turbines and compressors within stationary and marine applications. This temperature sensor is based on a standardized Pt100 element, which gives a reliable and accurate measurement. The Pt100 element is a thin film element specially designed for heavy-duty applications up to 600 °C.

The measuring insert can be changed even while operating the application. All parts in contact with the media are made of stainless steel AISI 316 Ti. The sensor is constructed to fit where there is limited space.

- Up to 600 °C media temperature
- Can be used with 2- or 3-wire connections
- Robust and compact construction with extremely high resistance to shock and vibration according to IEC 68-2-6
- Easy exchange of measuring insert
- Pt 100 thin film technology specially developed for heavy duty applications
- Can be mounted in all positions
- Solid drilled protection tube
- Available with all relevant marine approvals

## Dimensions and weight:

*Weight: 0.52 – 1.04 kg  
depending on insertion length  
and process connection  
(excl. transmitter)*



*All dimensions in millimetres*

Approvals: CE, LR, GL, RINA, ABS, BV, DNV, Class NK, KRS, CCS

## MBT5116 Temperature sensors

Measuring range: -50 – 600 °C

Measuring element: Pt 100

Extension length: 50 mm

Process connection:  $\frac{3}{4}A$

B-head	Sensor design		Insertion length [mm]	Code number
	Slim-line Pg 9	Slim-line Pg 13.5		
✓			100	<b>084Z5160</b>
✓			200	<b>084Z5025</b>
✓			250	<b>084Z5034</b>
✓			300	<b>084Z5026</b>
	✓		100	<b>084Z3257</b>
	✓		200	<b>084Z3260</b>
	✓		250	<b>084Z3261</b>
	✓		300	<b>084Z3262</b>
		✓	100	<b>084Z8150</b>
		✓	200	<b>084Z8154</b>
		✓	250	<b>084Z8155</b>
		✓	300	<b>084Z8156</b>

# Pressure and temperature switches

When it comes to demanding applications, Danfoss' know-how and expertise is unsurpassed. Our robust switches offer flawless performance day after day and are trusted in the most challenging situations in a variety of industries and applications, of which some are mentioned in the following.

## Marine and railway equipment

Break down of essential functions in trains and ships due to failures in the controls and safety equipment can be dangerous, very costly and time consuming. These customers therefore choose partners who have a good reputation and superior products to offer, among others:

- Temperature and pressure control and alarm functions in lubrication oil systems – type KPS, CAS and MBC.
- Pressure control for air compressors – type MBC, KP and RT.
- Essential safety control on trains – type RT and CAS.

## Water pumps and air compressors

In water pumps and air compressors it is important to keep a constant pressure and a continuous flow. To ensure this Danfoss offers a range of switches for:

- Monitoring and direct start/stop of single or three phase motors – type RT, MBC, CS, CAS and KP/KPI.
- Dry run protection of pumps – type KP/KPI and RT.

## Industrial boilers and boiler room equipment

For boilers and in boiler rooms, accurate monitoring of steam/hot water installations, heat exchangers and water treatment equipment for feed water is vital. Danfoss' programme for steam and high-pressure hot water boilers and burners includes:

- Safety approved pressure controls – type BCP and RT.
- Reliable alarm and safety functions – type BCP, RT and KP.



### Hydraulic equipment and windmills

Danfoss switches are intended for flawless alarm indication, shut down, control and diagnostics in a variety of demanding applications:

- Cooling and lubrication systems for generators and gear-boxes – type MBC, KPS, KPI, KP, CAS and RT.
- Hydraulic units such as disk brakes and pitch cylinders – type MBC, KPS and RT.
- Power packs – type MBC and KP.

### Autoclaves and sterilisers

High control and safety are essential within the autoclave process.

Temperatures and pressures must be controlled within narrow limits over time by products with high repeatability and trustworthy performance:

- Check of door sealing – type KP, BCP and RT.
- Pressure controls of steam supply – type KP, RT and BCP.
- Control and alarm of pressure in the process chamber – type BCP, KP and RT.

### Examples



The BCP pressure switch packs all our expertise into a sleek, modern design. The advanced technology built into this durable boiler control sets new standards for reliability - and ensures a long life with a minimum of maintenance.



Marine applications where space and reliability are the most important features are the natural habitat of the MBC 5100 block-type pressure switch. With their high vibration resistance and all common marine approvals, they are trusted at high seas.



On wind turbines, helping to increase the amount of wind-produced power worldwide, the KPS temperature switch provides on-off limits when critical temperatures are reached.

# Industrial Switches

In this catalogue

Pressure switches



Type

RT

BCP

KPS

CAS

KP/KPI

CS

Segments	Marine and railway equipment						
	Industrial boilers and boiler room equipment						
	Autoclaves and sterilisers						
	Water pumps and air compressors						
	Hydraulic equipment						
	Windmills						
Characteristics	Setting range	-1 – 30 bar	0.03 – 40 bar	0 – 60 bar	0 – 60 bar	-0.2 – 28 bar	2 – 20 bar
	Contact system	SPDT	SPDT	SPDT	SPDT	SPDT	TPST and SPST
	Electrical rating AC-3	4 A, 400 V	3 A, 250 V	6 A, 400 V	-	16/ 6 A, 400 V	12 A, 400 V
	Electrical rating AC-15	3 A, 400 V	2 A, 250 V	4 A, 400 V	0.1 A, 220 V	10/4 A, 400 V	-
	Electrical connection	Screw terminals	DIN plug	Screw terminals	Screw terminals	Screw terminals	Screw terminals
	Contact material	Silver or Gold	Silver or Gold	Gold	Silver	Silver or Gold	Silver
	Differential	Adjustable	Adjustable	Adjustable	Fixed	Adjustable	Adjustable
	Special approvals	Marine, TÜV	TÜV	Marine, UL	Marine	Marine	
	Degree of enclosure	IP66 or IP54	IP65	IP67	IP67	IP30, IP44 or IP55	IP43 or IP55
Design	Box industrial	Box industrial	Box heavy duty	Box heavy duty	Box	Box	
Adjustable neutral zone	Yes						

Railways and marine

Industrial hydraulics, air compressors and water pumps

Electric power and wind turbines

Boiler and boiler room equipment, sterilisers and autoclaves



### Differential pressure switches

### Temperature switches



MBC

RT

CAS

MBC

RT

KPS

KP

MBC



-0.2 – 400 bar

0 – 11 bar

0.2 – 2.5 bar

0.3 – 5 bar

-60 – 300 °C

-10 – 200 °C

0 – 150 °C

-10 – 200 °C

SPDT

SPDT

SPDT

SPDT

SPDT

SPDT

SPDT

SPDT

3 A, 250 V  
0.5 A, 250 V

4 A, 400 V  
3 A, 400 V

-  
0.1 A, 220 V

3 A, 250 V  
0.5 A, 250 V

4 A, 400 V  
3 A, 400 V

6 A, 400 V  
4 A, 400 V

16 A, 400 V  
10 A, 400 V

3 A, 250 V  
0.5 A, 250 V

DIN plug

Screw terminals

Screw terminals

DIN plug

Screw terminals

Screw terminals

Screw terminals

DIN plug

Silver

Silver or Gold

Silver

Silver

Silver or Gold

Gold

Silver

Silver

Fixed

Fixed

Fixed

Fixed

Adjustable

Adjustable

Adjustable

Fixed

Marine

Marine

Marine

Marine

Marine

Marine, UL

Marine, UL

Marine

IP65

IP66

IP67

IP65

IP66 or IP54

IP67

IP30, IP44 or IP55

IP65

Compact

Box industrial

Box heavy duty

Compact

Box industrial

Box heavy duty

Box

Compact

Yes

Yes

# Discover a variety of built-in benefits



Ongoing development of new technology and new features is at the very heart of Danfoss. We want our switches to be among the very best on the market – living up to your expectations.

## 1 Adjustable differential switching

Pressure and temperature controls have either fixed or adjustable differential settings, good readability, and high accuracy of range setting with use of the scale.

## 2 Bellows technology

The lifetime of a pressure and temperature switch is determined by the quality of the bellows. Using advanced technology, and being world leader, Danfoss' bellows are manufactured without any welding points, which makes them stress free and completely tight.

## 3 Designed for various applications

Danfoss offers a very broad range of purpose-specific enclosures and connections.

## 4 Snap action contacts

All contacts are "snap-action" types, maintaining the contact force until the moment of contact break. Units with gold-plated contacts are ideal for low electrical loads while the silver-cadmium contacts are developed for high loads.

## 15 international approvals

Danfoss offers a wide range of approvals suited for different industries and geographical markets.

## High vibration stability

Outstanding vibration stability in switches ensures flawless operation even in heavy-duty applications.

## Wide pressure ranges

The programme covers working ranges from -1 bar up to 400 bar.

## High reliability

All switches feature high accuracy, repeatability and stability over time.

## Different temperature sensing elements

As experts in charging technologies Danfoss offers temperature switches that operate in a wide temperature range.

# Selection Made Easy

Need help selecting the right component for your application? With only a few clicks, Danfoss product selectors can help you find the right product for standard applications.

All it takes is an internet connection to access the pressure switch selector tool from your desk or laptop, tablet or smart-phone.

Developed to help wholesalers, retailers, installers and end-users pinpoint the solenoid valve needs, the web-based tool makes product selection quick and easy.

To discover just how easy the product selectors are to use, please visit:

<http://switchselector.danfoss.com>

To visit by mobile, scan the QR code:




# Pressure and temperature switches – Introduction

## Setting range

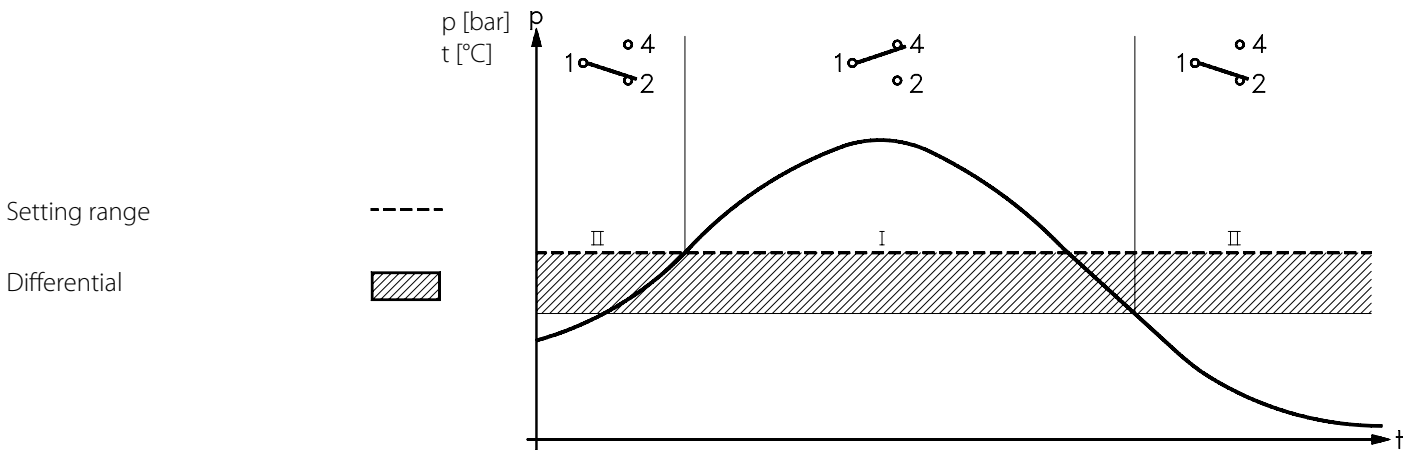
All Danfoss pressure and temperature switches have a given pressure / temperature range which can be set by the user from a scale on the unit. The given cut-in / cut-out temperature or pressure is indicative only. For accurate setting a thermometer or pressure gauge must be used.

## Differential

Differential is a difference between cut-in and cut-out values. It is not recommended to see small differential as it causes system hunting. The bigger differential the less switch over cycles per ahour what benefits in longer life of the contact system.

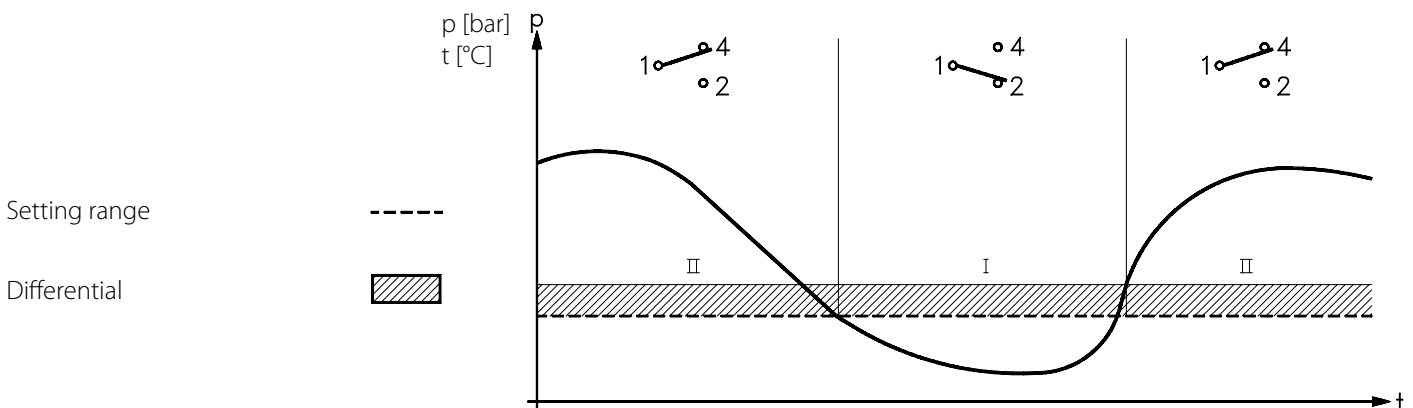
## Contact function, setting for rising pressure / temperature

- RT with maximum reset
- KPI
- KP and BCP with automatic and maximum reset
- KPS (except KPS 31)



## Contact function, setting for falling pressure / temperature

- RT with automatic and minimum reset
- KP and BCP with minimum reset
- CAS
- KPS 31



# RT pressure switches



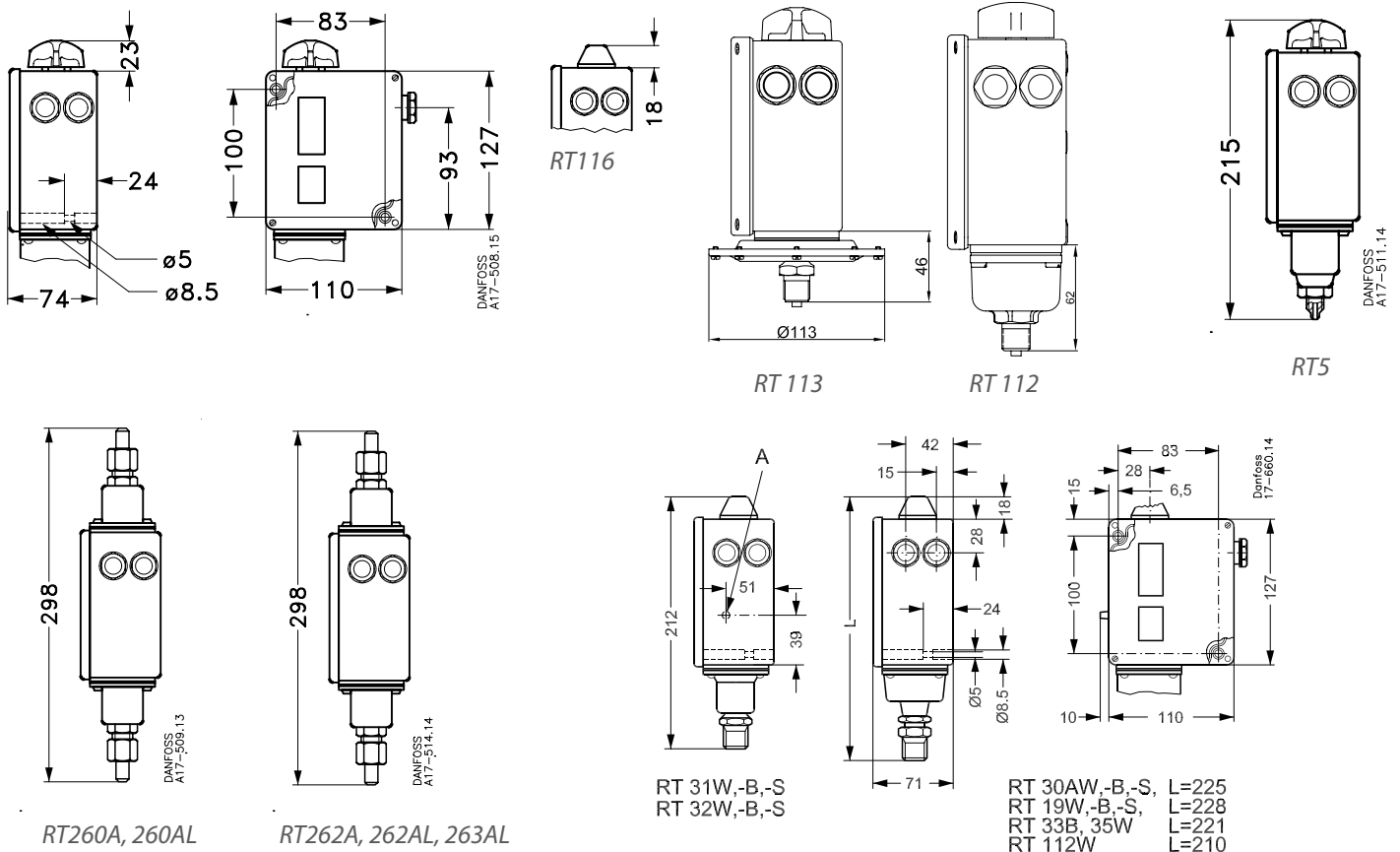
RT switches are used in general industrial, heating and marine sectors. The RT single pressure switches series consist of a variety of controls including neutral zone pressure switches and safety pressure switches for steam boiler plant.

RT switches have been in service for more than 70 years.

- Pressure ranges: -1 – 30 bar
- Replaceable contact system
- Also available with gold plated contact systems
- Fail-safe design
- Adjustable differential
- Adjustable neutral zone
- Enclosure IP66
- Available with TÜV approvals
- Available with min. and max. reset function (IP54)
- Also available as differential switch
- Available with all relevant marine approvals

## Dimensions and weight:

Weight: Appr. 1 kg



All dimensions in millimetres

Approvals: CE marked in accordance with EN60947-4/-5. Relevant marine approvals.

## RT pressure switches

**Contact type:** Single pole double throw (SPDT)  
**Contact material:** Silver cadmium oxide (other contact types - see accessories)  
**Loads:** AC-1 ohmic 10A 400V  
 AC-3 (motor) 4A 400V  
 AC-15 (inductive) 3A 400V

**Ambient temperature:** -50 – 70 °C  
**Media temperature:** -40 – 100 °C



## RT pressure switches

Pressure connection: G 3/8 A

Type	Setting range P <sub>e</sub> [bar]	Mechanical differential [bar]	Max. working pressure P <sub>e</sub> [bar]	Reset			Code number
				Auto- matic	Min.	Max.	
RT121	-1 – 0	0.09 – 0.4	7.0	✓			<b>017-521566</b>
RT113 <sup>1)</sup>	0 – 0.3	0.01 – 0.05	0.4	✓			<b>017-519666</b>
RT112	0.1 – 1.1	0.07 – 0.16	7.0	✓			<b>017-519166</b>
RT112	0.1 – 1.1	0.07	7.0			✓	<b>017-519266</b>
RT110	0.2 – 3	0.08 – 0.25	7	✓			<b>017-529166</b>
RT200	0.2 – 6	0.25 – 1.2	22	✓			<b>017-523766</b>
RT200	0.2 – 6	0.25	22			✓	<b>017-523866</b>
RT200	0.2 – 6	0.25	22		✓		<b>017-523966</b>
RT116	1 – 10	0.3 – 1.3	22	✓			<b>017-520366</b>
RT116	1 – 10	0.3	22			✓	<b>017-520466</b>
RT116	1 – 10	0.3	22		✓		<b>017-519966</b>
RT116 <sup>2)</sup>	1 – 10	0.3 – 1.3	22	✓			<b>017-520066</b>
RT5	4 – 17	1.2 – 1.3	22			✓	<b>017-509466</b>
RT5	4 – 17	1.2 – 4	22	✓			<b>017-525566</b>
RT117	10 – 30	1 – 4	42	✓			<b>017-529566</b>

<sup>1)</sup>Ambient temperature: -10 – 70 °C

<sup>2)</sup>Tamper proof setting knob

## RT pressure switches with neutral zone

Pressure connection: G 3/8 A

Type	Setting range P <sub>e</sub> [bar]	Mechanical differential [bar]	Adjustable neutral zone [bar]	Max. working pressure P <sub>e</sub> [bar]	Code number
RT 200L	0.2 – 6	0.25	0.25 – 0.7	22	<b>017L003266</b>



## RT pressure switches for steam plant

Pressure connection: G $\frac{1}{2}$  A



Type	Setting range P <sub>e</sub> [bar]	Mechanical differential [bar]	Max. working pressure P <sub>e</sub> [bar]	Auto- matic	Reset		Code number
					Min.	Max.	

**PED approved. For rising pressure. Ambient temperature: -40 – 70 °C**

RT112W	0.1 – 1.1	0.07	7	✓			<b>017-528266</b>
RT35W	0 – 2.5	0.1	7	✓			<b>017-528066</b>
RT30AS	1 – 10	0.4	22			✓	<b>017-518966</b>
RT30AB	1 – 10	0.6	22			✓	<b>017-518866</b>
RT30AW	1 – 10	0.8	22	✓			<b>017-518766</b>
RT19B	5 – 25	1.0	42			✓	<b>017-518266</b>
RT19W	5 – 25	1.2	42	✓			<b>017-518166</b>

**PED approval. For falling pressure. Ambient temperature: -40 – 70 °C**

RT33B	0 – 2.5	0.1	7			✓	<b>017-526266</b>
RT31W	2 – 10	0.3 – 1	22	✓			<b>017-526766</b>
RT31B	2 – 10	0.3	22			✓	<b>017-526866</b>
RT31S	2 – 10	0.3	22			✓	<b>017-526966</b>

All RT pressure switches for steam plant are TÜV approved. Media temperature: -40 – 150 °C

## Differential pressure switches

Pressure connection: G $\frac{3}{8}$  A



Type	Setting range P <sub>e</sub> [bar]	Mechanical differential [bar]	Operation range [bar]	Max. working pressure P <sub>e</sub> [bar]	Code number
RT262A	0.1 – 1.5	0.1	-1 – 9	11	<b>017D002566</b>
RT262A	0 – 0.3	0.035	-1 – 10	11	<b>017D002766</b>
RT260A	0.5 – 4	0.3	-1 – 18	22	<b>017D002166</b>
RT260A	0.5 – 6	0.5	-1 – 36	42	<b>017D002366</b>
RT260A	1.5 – 11	0.5	-1 – 31	42	<b>017D002466</b>

## Differential pressure switches with adjustable neutral zone

Pressure connection: G $\frac{3}{8}$  A



Type	Setting range P <sub>e</sub> [bar]	Mechanical differential [bar]	Adjustable neutral zone [bar]	Operation range [bar]	Max. working pressure P <sub>e</sub> [bar]	Code number
RT263AL	0.1 – 1	0.05	0.05 – 0.23	-1 – 6	7	<b>017D004566</b>
RT260AL	0.5 – 4	0.3	0.3 – 0.9	-1 – 18	22	<b>017D004866</b>

## Spareparts and accessories for RT pressure switches

Type	Version	Description	
Contact system	Standard	Snap action single-pole changeover switch (SPDT) with silver cadmium oxide contact. Fitted in all standard versions of type RT	<b>017-403066</b>
Contact system	Standard	Snap action single-pole changeover switch (SPDT) with gold plated (oxide free) contact surfaces. Increases cut-in reliability on alarm and monitoring systems etc.	<b>017-424066</b>
Contact system	Max reset	Snap action single-pole changeover switch (SPDT) with silver cadmium oxide contact. Designed for RT units performing max reset function.	<b>017-404266</b>
Contact system	Min reset	Snap action single-pole changeover switch (SPDT) with silver cadmium oxide contact. Designed for RT units performing min reset function.	<b>017-404166</b>



Type	Description	
Setting knob	Replacement. Pale grey Ral 7035	<b>017-436366</b>
Seal cap	Seal cap to replace setting knob so that setting can only be altered with tools (tamper proof seal cap). Black	<b>017-436066</b>
Screws	Seal screws for cover and seal cap	<b>017-425166</b>
Solder nipple	Pipe thread ISO 228/1, G 3/8 connector, nipple and AL washer (10 mm ext. / 8 mm int. diam). for soldering onto steel or copper tubing. Steel span of jaws: 22	<b>017-436866</b>
Reducer	Pipe thread ISO 228/1, G 1/2 x G 3/8, steel, span of jaws 22	<b>017-421966</b>
Reducer	Pipe thread ISO 228/1, G 3/8 x 7/16 - 20 UNF reducer, washer, brass, span of jaws 22	<b>017-420566</b>
Adaptor	Pipe thread ISO 228/1, G 3/8 A x R 3/8 (ISO 7/1) brass, span of jaws 17	<b>060-324166</b>



Type	Description	
Damping coil	1 m. damping coil with 7/16 - 20 UNF connectors. Reducer code no 017-420566 is necessary if the damping coil is to be used with RT units with pipe thread: ISO 228/1, G 3/8 connection.	<b>060-019166</b>
Damping coil	Pipe thread ISO 228/1, damping coil with G 3/8 connector and 1.5 m copper capillary tube. Standard washers are supplied	<b>060-104766</b>
Armoured damping coil	Pipe thread ISO 228/1, damping coil with G 3/8 connector and 1 m. copper capillary tube. Standard washers are supplied	<b>060-333366</b>
Air bell for liquid level control	Air bell for liquid level control RT113. 62 mm diam. ext x 204 mm length. Pipe thread ISO 228/1, G 3/8 connector and nipple (10 mm o.d./6.5 mm i.d.) for welding or brazing on to steel or copper tubing. Brass.	<b>017-401366</b>



# The BCP pressure switch for reliable boiler control

A series of dedicated pressure switches, BCPs control, monitor and limit the pressure in steam and hot water boilers. Simple to install and operate, BCP pressure switches combine advanced technology, durability and design to provide failsafe boiler operation.

## Fluid temperature

The BCP can cope with fluid temperatures up to 120 °C. For temperatures above 120°C, a water-filled loop must be installed.

## Pressure range from 0 to 40 bar

The BCP is designed to handle a wide pressure range from low pressure BCP1 with a narrow differential, to high pressure BCP7.

## Plug and play (DIN 43650)

A DIN 43650 plug and an external reset – operated by a screwdriver – makes electrical installation and operation easy.

## Manual reset with a standard screwdriver

All BCP pressure switches are available with an automatic reset for boiler operations, or a manual reset to be used as a safety limit switch.

## Failsafe versions

For added safety, dual bellows enable an off function (safety cut-out) if a fault occurs.

## Approvals

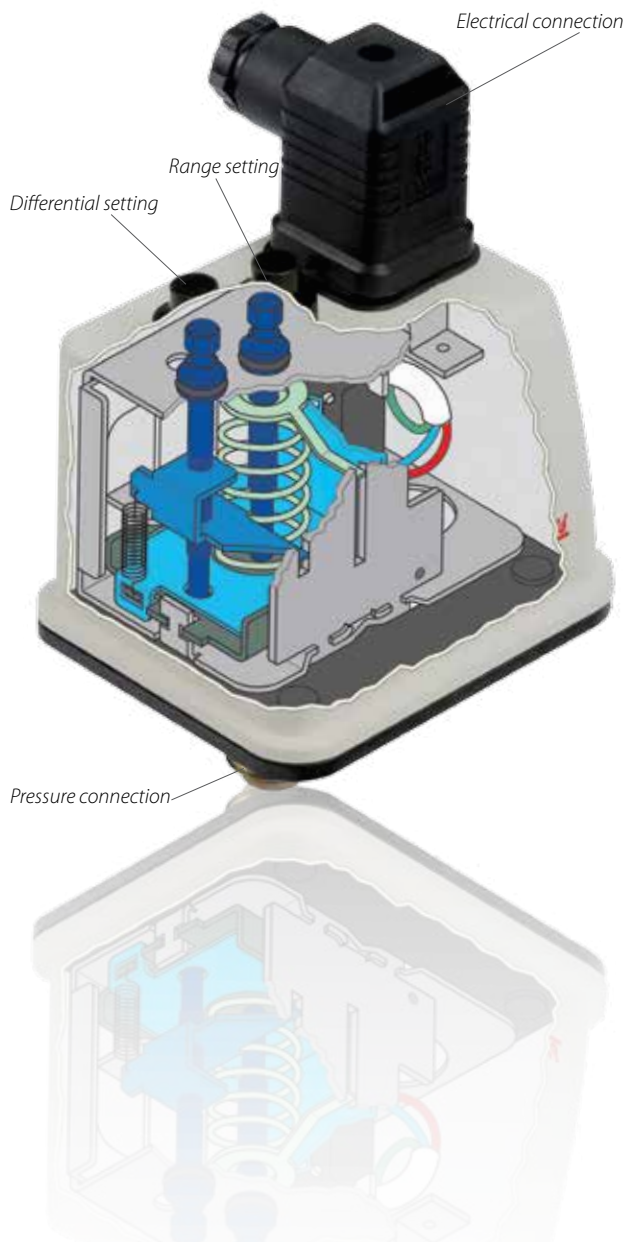
The BCP range is CE-marked in accordance with EN 60730-1, VdTÜV-Merkblatt Druck 100 TÜV. SDWFS/SDBFS. 08 – 335 and PED 97/23/ED, category IV, safety equipment. It is tested according to EN12952-11 and EN12953-9.

## Bracket for wall and DIN rail mounting

The BCP can be directly mounted on the pressure connection or wall mounted with a bracket.

## User friendly

- Easy external adjustment of the pressure setting and pressure differential
- Separate scales for pressure setting and differential setting



# BCP pressure controller / pressure limiter

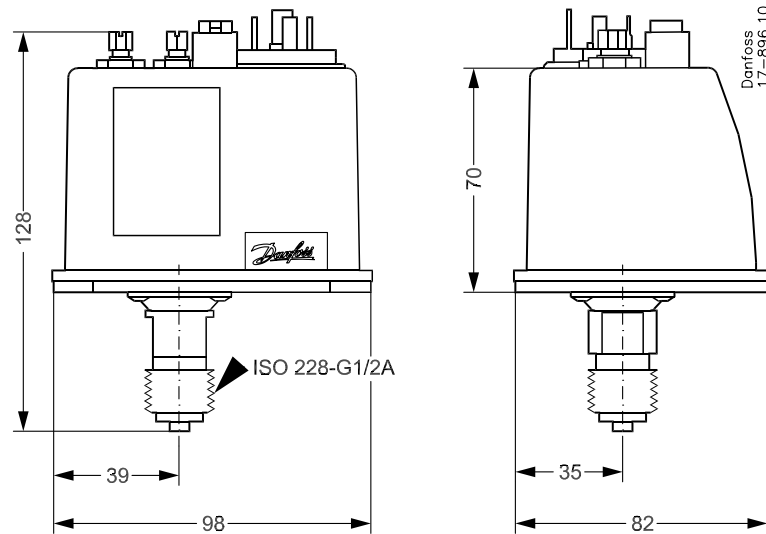


The BCP type is a series of dedicated pressure switches for control, monitoring and safety of steam and hot water boilers. The BCP incorporates a single-pole changeover microswitch where the contact position depends on the pressure in the connection port and the range set value. For installations, in which operation is particularly critical for safety reason, the use of fail-safe control is recommended.

- Available as high and low pressure limiters as well as pressure controllers
- Wide pressure range: from low pressure BCP1 with narrow differential to high pressure BCP7
- The fail-safe dual bellows enable premature cut-out when fault occurs
- Din plug mounted on the top of control for easy electrical wiring
- Single-pole changeover switch (SPDT), switch + alarm
- Direct mounting on pressure connection or wall mounting by means of a bracket
- Versions with automatic and manual resets available
- Screw adjustments made on top of housing
- Manual reset for pressure limiters possible only by means of tools
- Version with gold plated contact for electronic devices

## Dimensions and weight:

Weight: 0.5 kg



Dimensions in millimetres

Approvals: CE marked in accordance with EN60730-1 and PED 97/23.

## BCP pressure controller/ pressure limiter

Contact type:	Single pole double throw (SPDT)
Contact material:	Gold plated silver. <i>(On request silver cadmium oxide is available for higher loads)</i>
Loads:	AC-1 (ohmic) 6A 250V AC-15 (inductive) 1 A 250V
Pressure connection:	G $\frac{1}{2}$ A
Enclosure:	IP65
Ambient temperature:	-20 – 70 °C
Media temperature:	Up to 120 °C



### BCP pressure controller, automatic reset

Type	Setting range P <sub>e</sub> [bar]	Differential [bar]	Max. working pressure P <sub>e</sub> [bar]	Max. test pressure P <sub>e</sub> [bar]	Code number
BCP1	0.1 – 1.1	0.15 – 0.6	6	7	<b>017B0002</b>
BCP2	0 – 2.5	0.4 – 1	10	11	<b>017B0006</b>
BCP3	0 – 6	0.7 – 1.4	16	18	<b>017B0010</b>
BCP4	1 – 10	1 – 2.5	25	28	<b>017B0014</b>
BCP5	2 – 16	2 – 3.2	32	35	<b>017B0018</b>
BCP6	5 – 25	2.5 – 4	40	45	<b>017B0022</b>
BCP7	10 – 40	3 – 6	63	70	<b>017B0026</b>

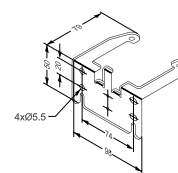


### BCP pressure limiter

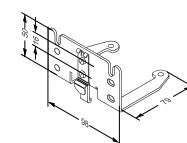
Type	Setting range P <sub>e</sub> [bar]	Differential [bar]	Max. working pressure P <sub>e</sub> [bar]	Max. test pressure P <sub>e</sub> [bar]	Code number
<b>For falling pressure, minimum reset</b>					
BCP2L	0 – 2.5	0.2	10	11	<b>017B0058</b>
BCP3L	0 – 6	0.4	16	18	<b>017B0062</b>
BCP4L	1 – 10	0.45	25	28	<b>017B0066</b>
BCP5L	2 – 16	1.2	32	35	<b>017B0070</b>
BCP6L	5 – 20	1.2	40	45	<b>017B0074</b>
<b>For rising pressure, maximum reset</b>					
BCP1H	0.1 – 1.1	0.1	6	7	<b>017B0030</b>
BCP2H	0 – 2.5	0.2	10	11	<b>017B0034</b>
BCP3H	0 – 6	0.4	16	18	<b>017B0038</b>
BCP4H	1 – 10	0.45	25	28	<b>017B0042</b>
BCP5H	2 – 16	1.2	32	35	<b>017B0046</b>
BCP6H	5 – 25	1.5	40	45	<b>017B0050</b>
BCP7H	10 – 40	2.3	63	70	<b>017B0054</b>

### Spareparts for BCP pressure switch

Description	Code numbers
Bracket for wall mounting	<b>017B1018</b>
Bracket for 35 mm rail mounting	<b>017B1019</b>



For wall mounting



For 35 mm rail mounting

# KPS heavy-duty pressure switches

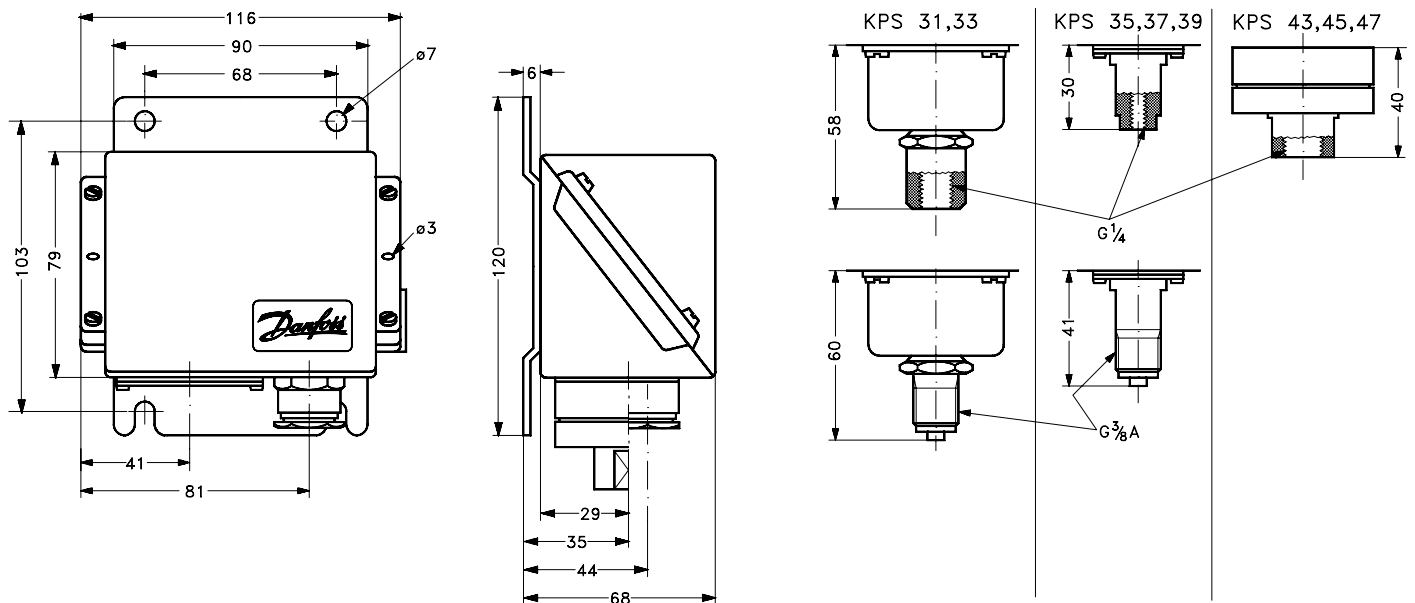


In the KPS series, special attention has been given to meeting important demands for a high level of enclosure, a robust, compact construction and resistance to shock and vibration. The KPS range covers most outdoor as well as indoor application requirements, and are suitable for use in alarm and regulation systems in factories, diesel plant, compressors, powerstation and on board ships.

- Pressure ranges: 0 – 60 bar
- Gold plated contact systems
- Adjustable or fixed differential
- Robust and compact construction
- Resistance to shock and vibrations
- Diaphragm version for applications with: Pulsations/pressure peaks
- Also sea water as media
- Enclosure IP67. Sturdy and sea water resistant.
- Available with all relevant marine approvals

## Dimensions and weight:

*Weight:*  
 KPS 31 – 39: 1.0 kg  
 KPS 43 – 47 1.3 kg



*Dimensions in millimetres*

*Approvals: CE marked in accordance with EN60947-4/-5. UL E73170. All relevant marine approvals*

## KPS heavy-duty pressure switches

**Contact type:** Single pole double throw (SPDT)  
**Contact material:** Gold plated silver  
**Loads:** AC-1 (ohmic) 10A 440V  
 AC-3 (motor) 6A 440V  
 AC-15 (inductive) 4A 440V  
**Enclosure:** IP67



Type	Setting range	Differential	Max. working pressure	Connection size		Code number
	$P_e$ [bar]	[bar]	$P_e$ [bar]	G ¼ A	G ¾ A	

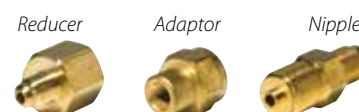
Controls for low and medium pressure. Ambient temperature: -40 – 70 °C. Media temperature: -40 – 100 °C.

KPS31	0 – 2.5	0.1	6		✓	060-310966
KPS31	0 – 2.5	0.1	6	✓		060-311066
KPS33	0 – 3.5	0.2	10		✓	060-310366
KPS33	0 – 3.5	0.2	10	✓		060-310466
KPS35	0 – 8	0.4 – 1.5	12		✓	060-310066
KPS35	0 – 8	0.4 – 1.5	12	✓		060-310566
KPS35	0 – 8	0.4	12	✓		060-310866
KPS37	6 – 18	0.85 – 2.5	22		✓	060-310166
KPS37	6 – 18	0.85 – 2.5	22	✓		060-310666
KPS39	10 – 35	2 – 6	45		✓	060-310266
KPS39	10 – 35	2 – 6	45	✓		060-310766

Controls for high pressure and strongly pulsating media. Ambient temperature: -25 – 70 °C. Media temperature: -25 – 100 °C.

KPS43	1 – 10	0.7 – 2.8	120	✓		060-312066
KPS45	4 – 40	2.2 – 11	120	✓		060-312166
KPS47	6 – 60	3.5 – 17	120	✓		060-312266

## Spareparts for KPS



Description	Code numbers
Reducer. G ¾ x 7/16 - 20 UNF (¼ flare) reduction with washer	017-420566
Adaptor G ¾ A x ¼ - 18 NPT with washer	060-333666
Nipple G ¼ A x G ¾ A	060-333266
Damping coil with ¼ flare connectors and 1 m copper capillary tube. Damping coils used for applications with ¾ RG connector requires the use of reducer.	060-007166
Damping coil with G ¾ connectors and 1.5 m copper capillary tube	060-104766
Armoured damping coil with ¾ connectors and 1 m armoured capillary tube. Standard washers included.	060-333366



# CAS heavy-duty pressure switches

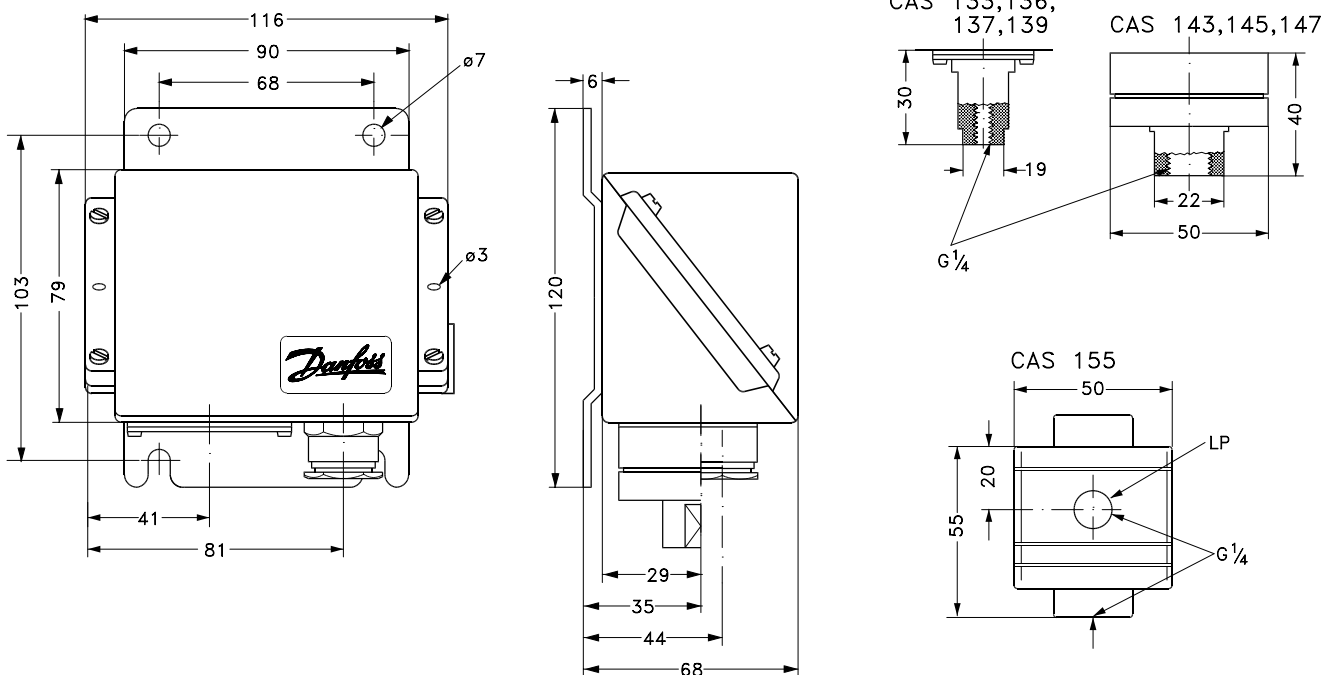


In the CAS pressure switches series, special attention has been given to meeting demands for a high level of enclosure, low differential, robust, compact construction and resistance to shock and vibration. The CAS series covers most outdoor as well as indoor application requirements. CAS pressure switches are suitable for use in alarm and regulation systems in factories, diesel plant, compressors, power stations and on board ships.

- Pressure ranges: 0 – 60 bar
- Low differential (fixed) micro switch
- Enclosure IP67. Sturdy and sea water resistant
- Robust and compact construction
- Resistance to shock and vibrations
- Diaphragm version applications with: Pulsations/pressure peaks and seawater as media
- Also available as differential pressure switch
- Available with all relevant land and marine approvals

## Dimensions and weight:

Weight:  
CAS 133 – 139 1.0 kg.  
CAS 143 – 147 1.3 kg.



All dimensions in millimetres

Approvals: CE marked in accordance with EN 60947-5. All relevant land and marine approvals.

## CAS Heavy-duty pressure switches with pipe thread connection

Contact type: Single pole double throw (SPDT)  
 Loads: AC-1 (ohmic)  
 AC-3 (motor)  
 AC15 (inductive) 0.1 A 220V  
 Pressure connection: G ¼ A



Type	Setting range P <sub>e</sub> [bar]	Differential [bar]	Max. working pressure P <sub>e</sub> [bar]	Code number
------	---------------------------------------	-----------------------	---	-------------

Ambient temperature: -40 – 70 °C. Media temperature: -40 – 100 °C.

CAS133	0 – 3.5	0.1	10	<b>060-315066</b>
CAS136	0 – 10	0.2	22	<b>060-315166</b>
CAS137	6 – 18	0.3	27	<b>060-315266</b>
CAS139	10 – 35	0.6	53	<b>060-315366</b>

### CAS pressure switches for high pressure and strongly pulsating media

Ambient temperature: -25 – 70 °C. Media temperature: -25 – 100 °C.

CAS143	1 – 10	0.2 – 0.6	120	<b>060-316066</b>
CAS145	4 – 40	0.8 – 2.4	120	<b>060-316166</b>
CAS147	6 – 60	1 – 3	120	<b>060-316266</b>

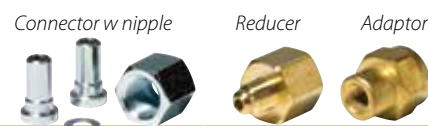


## CAS differential pressure switch

Pressure connection: 2 x G ¼. Ambient temperature: -25 – 70 °C

Type	Setting range P <sub>e</sub> [bar]	Differential [bar]	Max. working pressure P <sub>e</sub> [bar]	Code number
CAS155	0.2 – 2.5	0.1	0 – 8	<b>060-313066</b>

## Spare parts for CAS pressure switch



Description	Code numbers
Connector with nipple. Pipe thread ISO 228/1, G ¾ connector, nipple and AL washer (10 mm ext. / 8 mm int. diam). for soldering onto steel or copper tubing. Steel span of jaws: 22	<b>017-436866</b>
Connector with nipple. G ¾ connector nipple and washer (10 mm ext. / 6.5 mm int. diam). For welding. Steel span of jaws: 22	<b>017-422966</b>
Reducer. G ¾ x 7/16 - 20 UNF (¼ flare) reduction with washer	<b>017-420566</b>
Adaptor G ¾ A x ¼ - 18 NPT with washer	<b>060-333666</b>
Nipple G ¼ A x G ¾ A	<b>060-333266</b>
Damping coil with G ¾ connectors and 1.5 m copper capillary tube	<b>060-104766</b>
Armoured damping coil with ¾ connectors and 1 m armoured capillary tube. Standard washers included.	<b>060-333366</b>





# The KPI pressure switch for liquid and gaseous media

Designed to control and monitor industrial application systems, the KPI is a compact and robust solution that offers safety and longevity.

## Wide setting range

Available in pressure ranges from -0.2 – 28 bar, there is a KPI with the pressure setting you require.

## Pressure control for most industrial applications

Easy and stable setting values make it easy to control liquid and gaseous media in most industrial applications, e.g. pumps and compressors

## Easy to install

The small dimensions of the KPI saves space and makes it easy to install.

## Shock and impact resistant

Vibration-proof from 0 – 1000 Hz, 4g (1g = 9.81 m/s<sup>2</sup>), the KPI is ideal for mobile applications where shock and strokes occur.

## Ultra-short bounce times

The perfect Single Pole Double Throw (SPDT) snap-function minimises wear during each operation and extends contact life.

## Cable entry for 6 – 14 mm diameter cables

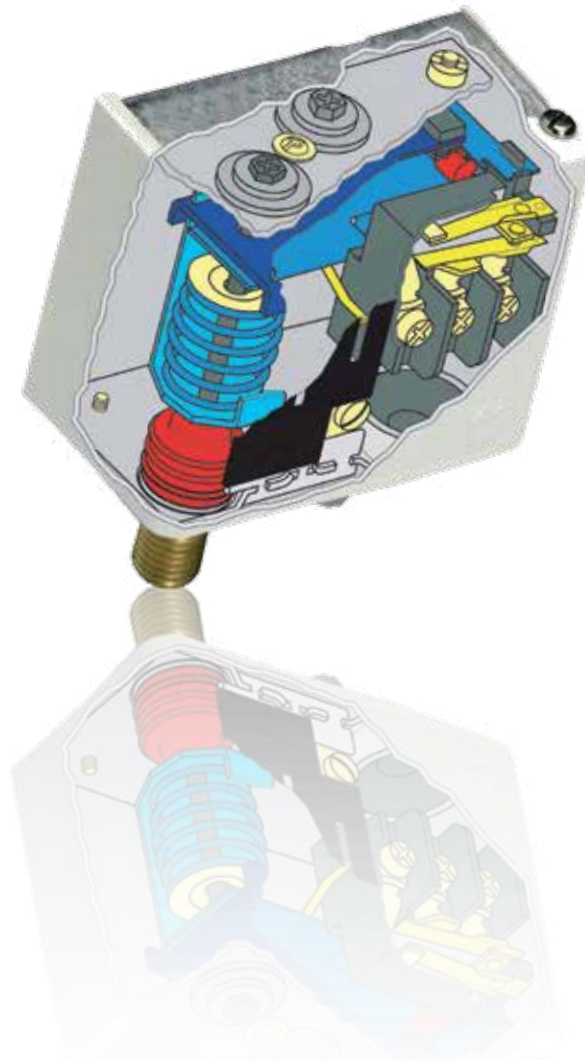
Two cable entries on the front of the pressure switch provide a number of possible electrical cable connections.

## High contact load

The SPDT's silver contacts can cope with loads up to 16A, 400V AC3. And gold contacts are also available to ensure perfect function with low electrical loads.

## Longevity

On average, the KPI can perform more than 400,000 electrical operations during its lifetime, which is four times more than approval requirements.





# KPI pressure switches for light industry

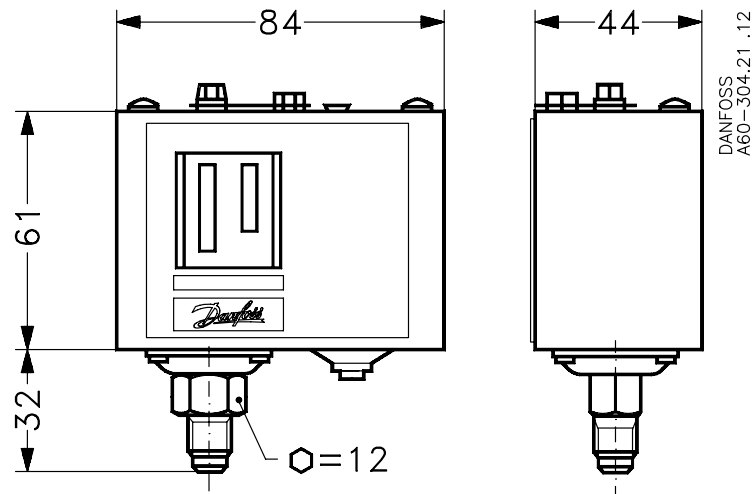


Danfoss KPI pressure switches are used for control, monitoring and alarm systems in industrial applications. The KPI series are suitable for plant in connection with liquid and gaseous media. They are fitted with a single-pole switch changeover (SPDT).

- Pressure ranges: -0.2 – 28 bar
- High contact load
- Ultra short bounce-time
- Available with gold plated contact systems
- Adjustable differential
- Scale for setting of range and differential
- Enclosure IP44 when mounted with top cover and back plate
- Snap action contact system with omega spring

## Dimensions and weight:

Weight: 0.3 kg



All dimensions in millimetres

Approvals: CE marked in accordance with EN60947-4/-5. Electrical safety certificate - FM. UL E31024.

## KPI pressure switches for light industry with pipe thread connection

**Contact function:** Single pole double throw (SPDT)  
**Contact material:** Silver cadmium oxide  
**Loads:** AC-1 ohmic 10A 440V  
 AC-3 (motor) 6A 440V  
 AC-15 (inductive) 4A 440V  
**Reset:** Automatic  
**Pressure connection:** G ¼A  
**Ambient temperature:** -40 – 65 °C  
**Media temperature:** -40 – 100 °C  
**Enclosure:** IP30, IP33 when wall mounted, IP44 with top plate



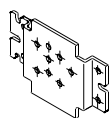
Type	Setting range P <sub>e</sub> [bar]	Differential [bar]	Max. working pressure P <sub>e</sub> [bar]	Code number
KPI 35	-0.2 – 8	0.4 – 1.5	18	<b>060-121766</b>
KPI 35 <sup>1)</sup>	-0.2 – 8	0.4 – 1.5	18	<b>060-316466</b>
KPI 35	-0.2 – 8	0.5 – 2	18	<b>060-121966</b>
KPI 36	2 – 12	0.5 – 1.6	18	<b>060-316966</b>
KPI 36 <sup>1)</sup>	4 – 12	0.5 – 1.6	18	<b>060-113866</b>
KPI 36	2 – 12	0.5 – 1.6	18	<b>060-319366</b>
KPI 36	4 – 12	0.5 – 1.6	18	<b>060-118966</b>
KPI 38	8 – 28	1.8 – 6	30	<b>060-508166</b>

<sup>1)</sup> Contact material: Gold plated silver

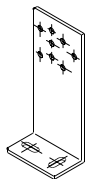
## Spareparts and accessories for KPI pressure switch

Type	Description	Code numbers
Wall bracket	Mounting screw and washers included	<b>060-105566</b>
Angle bracket	Mounting screw and washers included	<b>060-105666</b>
Seal screw for locking plate	Seal screw according to DIN 405, for locking of setting point	<b>060-105766</b>
Screwed cable entry	Pg 13.5 with special nut. For 6 – 14 mm diameter cables	<b>060-105966</b>
Top cover	For single control. If a wall or angle bracket is mounted on the backplate of the housing, the KP will have an IP44 grade of enclosure by means of this cover	<b>060-109766</b>
IP55 enclosure	For single control. Specially designed IP55 enclosure, not transparent	<b>060-033066</b>

Brackets



For wall mounting



For 35 mm rail mounting



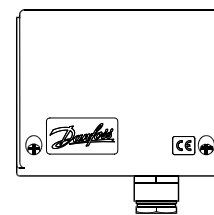
Seal screw



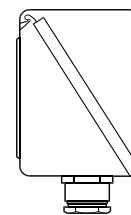
Screwed cable entry



Top cover



IP55 enclosure



## KP pressure switches for light industry



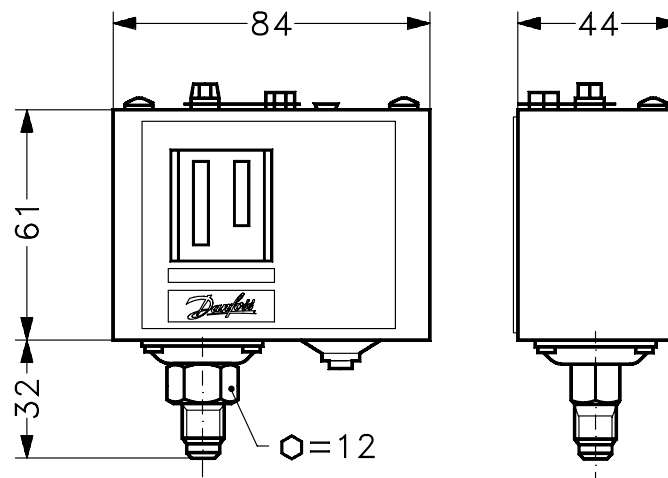
Danfoss KP pressure switches are used for control, monitoring and alarm systems in industrial applications.

The KP series are suitable for gaseous media and air. They are fitted with a single-pole switch changeover (SPDT), and can control single-phase ac motors of up to 2 kW directly.

- Pressure ranges: -0.2 – 21 bar
- High contact load - Ultra short bounce-time
- Also available with gold plated contact systems
- Media: Gaseous media and air
- Enclosure IP44 when mounted with top cover and back plate
- Small dimensions - space saving - easy to install

### Dimensions and weight:

Weight: 0.34 kg



KP 35 and KP 36

All dimensions in millimetres

Approvals: CE marked in accordance with EN60947-4/-5. Electrical Safety Certificate - FM. UL E31024. Relevant marine approvals.

## KP pressure switches for light industry with pipe thread connection

**Contact system:** Single pole double throw (SPDT)  
**Contact material:** Silver cadmium oxide  
**Loads:** AC-1 ohmic 16A 400V  
 AC-3 (motor) 16A 400V  
 AC-15 (inductive) 10A 400V  
**Reset function:** Automatic  
**Ambient temperature:** -40 – 65 °C  
**Media temperature:** -40 – 100 °C



Type	Setting range P <sub>e</sub> [bar]	Differential P <sub>e</sub> [bar]	Max. working pressure P <sub>e</sub> [bar]	Enclosure	Code number
<b>Pressure connection: G 1/4A</b>					
KP2	-0.2 – 3.5	0.3 – 1.0	10	IP30	<b>060-131866</b>
KP35	-0.2 – 7.5	0.7 – 4	17	IP30	<b>060-113366</b>
KP35	-0.2 – 7.5	0.7 – 4	17	IP55	<b>060-538666</b>
KP35 <sup>1)</sup>	-0.2 – 7.5	0.7 – 4	17	IP30	<b>060-504766</b>
KP36 <sup>1)</sup>	2 – 14	0.7 – 4	17	IP30	<b>060-113766</b>
KP36	2 – 14	0.7 – 4	17	IP30	<b>060-110866</b>
KP36	2 – 14	0.7 – 4	17	IP55	<b>060-538766</b>
KP36 <sup>1)</sup>	4 – 12	0.5 – 1.6	17	IP30	<b>060-114466</b>
KP36	4 – 12	0.5 – 1.6	17	IP30	<b>060-122166</b>

<sup>1)</sup> Contact material: Gold plated silver

## KP pressure switches for boilers

**Contact system:** Single pole double throw (SPDT)  
**Contact material:** Silver cadmium oxide  
**Loads:** AC-1 (ohmic) 16 A 400 V  
 AC-3 (motor) 16 A 400 V  
 AC-15 (inductive) 10 A 400 V  
**Reset function:** Manual or Automatic  
**Ambient temperature:** -40 – 65 °C  
**Media temperature:** - 40 – 100 °C  
**Pressure connection:** G1/2 A  
**Enclosure:** IP30, IP33 when wall mounted, IP44 with top plate

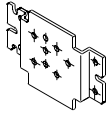


Type	Setting range P <sub>e</sub> [bar]	Differential P <sub>e</sub> [bar]	Max. working pressure P <sub>e</sub> [bar]	Reset	Code number
KP 34	0.1 – 1	0.1 – 4	4.0	Automatic	<b>060-216466</b>
KP 34	0.1 - 1	0.2 fixed	4.0	Manual	<b>060-216366</b>
KP 35	0.4 – 3.4	0.4 – 2.2	10	Automatic	<b>060-216666</b>
KP 35	0.4 – 3.4	0.5 fixed	10	Manual	<b>060-216566</b>
KP36	1 – 10	0.7 – 4	17	Automatic	<b>060-215966</b>
KP 36	1 - 10	0.7 fixed	17	Manual	<b>060-216066</b>
KP 37	4 – 20	1.8 – 3.1	28	Automatic	<b>060-216166</b>
KP 37	4 – 20	3.0 fixed	28	Manual	<b>060-216266</b>

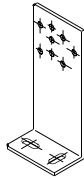
## Spareparts and accessories for KP pressure switch

Type	Description	
Wall bracket	Mounting screw and washers included	<b>060-105566</b>
Angle bracket	Mounting screw and washers included	<b>060-105666</b>
Seal screw for locking plate	Seal screw according to DIN 405, for locking of setting point	<b>060-105766</b>
Screwed cable entry	Pg 13.5 with special nut. For 6 – 14 mm diameter cables	<b>060-105966</b>
Top cover	For single control. If a wall or angle bracket is mounted on the backplate of the housing, the KP will have an IP44 grade of enclosure by means of this cover	<b>060-109766</b>
IP55 enclosure	For single control. Specially designed IP55 enclosure , not transparent	<b>060-033066</b>

Brackets



For wall mounting



For 35 mm rail mounting



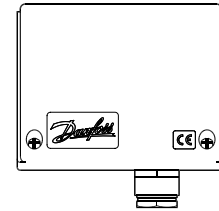
Seal screw



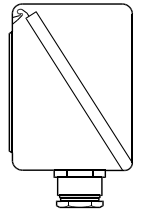
Screwed cable entry



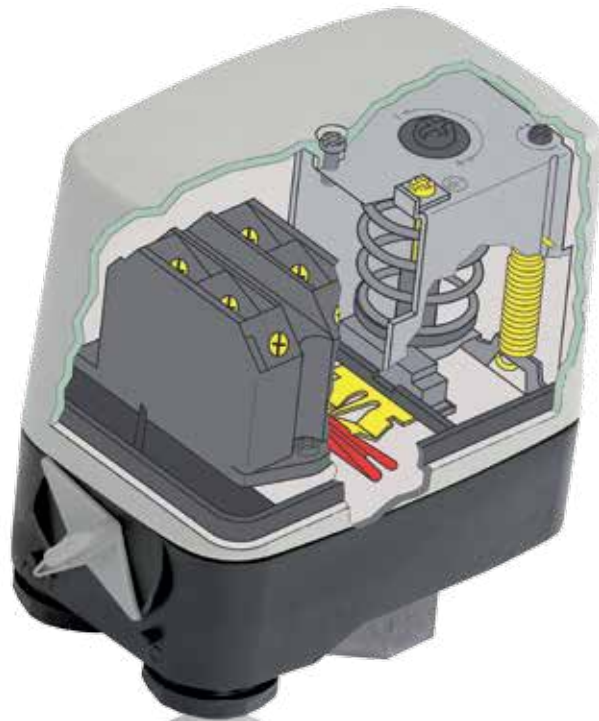
Top cover



IP55 enclosure



# The CS pressure switch for excellent pressure control



Designed for air compressors and water pump applications, the CS pressure switch has a built-in, pressure-operated three-pole contact system. Made for the direct start of pumps and as on/off functions in control circuits, the CS switch is robust and reliable.

### **Adjustable range and differential**

The CS switch can be adjusted to suit a variety of working conditions and pressures, ranging from 2 – 20 bar.

### **Special compressor application accessory**

To prevent air compressors starting under load, a pressure relief valve can be used with the CS switch to relieve pressure on the compressor piston.

### **Robust and tight**

Enclosed in heavy-duty plastic, the CS switch is available in IP43 or IP55 versions to ensure high performance in wet or dusty environments.

### **Safe and reliable**

For added safety in the event of system failure or maintenance purposes, the CS is fitted with a manual switch to lock the contact system in the open position, independent of the pressure in the system.

## CS pressure switches for air and water



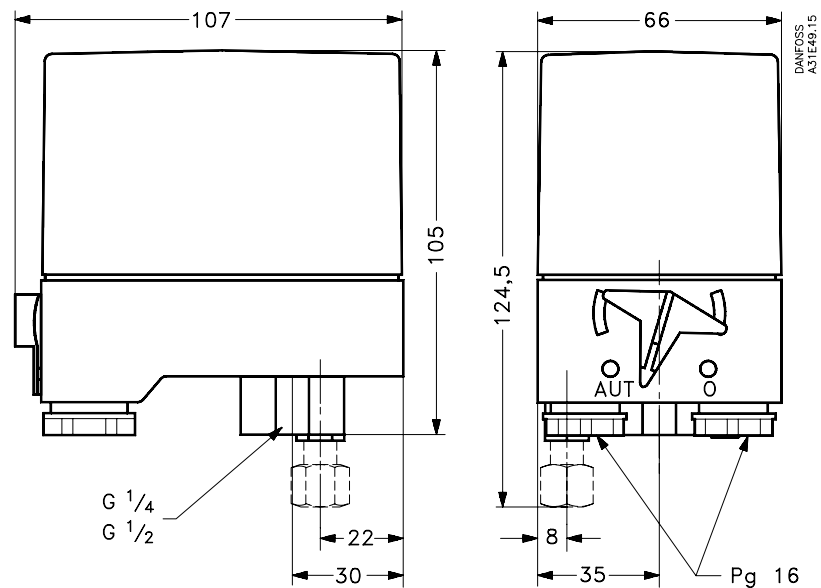
CS pressure switches have a three-pole switch and adjustable differential.

The pressure switches are fitted with a manual switch that will lock the contact system in the open position independently of the pressure in the system.

- For automatic start and stop of air compressors and water pumps
- Pressure ranges: 2 – 20 bar
- Contact system: 3-pole (standard) and 1-pole (accessory)
- Adjustable differential from 0.7 – 7 bar
- Manual switch to lock the contact system
- Relief valve (accessory)
- Enclosure IP43 or IP55
- Versions for drinking water

### Dimensions and weight:

Weight: 0.5 kg



All dimensions in millimetres

Approvals: CE according to EN 60947-4-5

## CS pressure switches

**Contact function:** Triple pole single throw (TPST)  
**Contact material:** Silver cadmium oxide  
**Loads:** AC-3 12A 220 – 415V  
 9A 600V  
**Ambient temperature:** -20 – 70 °C  
**Media temperature:** Water: 0 – 70 °C  
 Air: -20 – 70 °C



Setting range $P_e$ [bar]	Factory setting $P_e$ [bar]	Min. differential [bar]	Max. differential [bar]	Max. working pressure $P_e$ [bar]	Connection size		Enclosure	Code number
					G ¼ A	G ½ A		
2–6	4	0.72–1	1–2	6	✓		IP43	<b>031E020066</b>
2–6	4	0.72–1	1–2	6	✓		IP55	<b>031E020566</b>
2–6	4	0.72–1	1–2	6		✓	IP43	<b>031E021066</b>
2–6	4	0.72–1	1–2	6		✓	IP55	<b>031E021566</b>
4–12	4	1–1.5	2–4	12	✓		IP43	<b>031E022066</b>
4–12	4	1–1.5	2–4	12	✓		IP55	<b>031E022566</b>
4–12	4	1–1.5	2–4	12		✓	IP43	<b>031E023066</b>
4–12	4	1–3	2–4	12		✓	IP55	<b>031E023566</b>
7–20	7	2–3.5	3.5–7	20	✓		IP55	<b>031E024566</b>
7–20	7	2–3.5	3.5–7	20		✓	IP43	<b>031E025066</b>
7–20	7	2–3.5	3.5–7	20		✓	IP55	<b>031E025566</b>

### Contact function: SPST

Setting range $P_e$ [bar]	Min. differential [bar]	Max. differential [bar]	Max. working pressure $P_e$ [bar]	Connection size G ¼ A	Enclosure	Code number
2–6	0.72–1	1–2	6	✓	IP43	<b>031E020266</b>



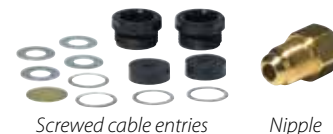
## Spareparts for CS pressure switch

Description	Code number
Three pole contact system TPST	<b>031E029166</b>
Pressure relief valve, incl. fixing screw for 6 mm pipe/hose	<b>031E029866</b>
Pressure relief valve, incl. fixing screw for ¼ in. pipe/hose	<b>031E029766</b>
Two Pg 16 screwed cable entries with gaskets, cable diam. 6.5 – 15 mm	<b>031E029366</b>
Nipple with 7/16 - 20 UNF and M10 x 1 int.	<b>031E029666</b>

TPST contact system



Pressure relief valve



Screwed cable entries

Nipple



# MBC 5100 block-type compact pressure switches



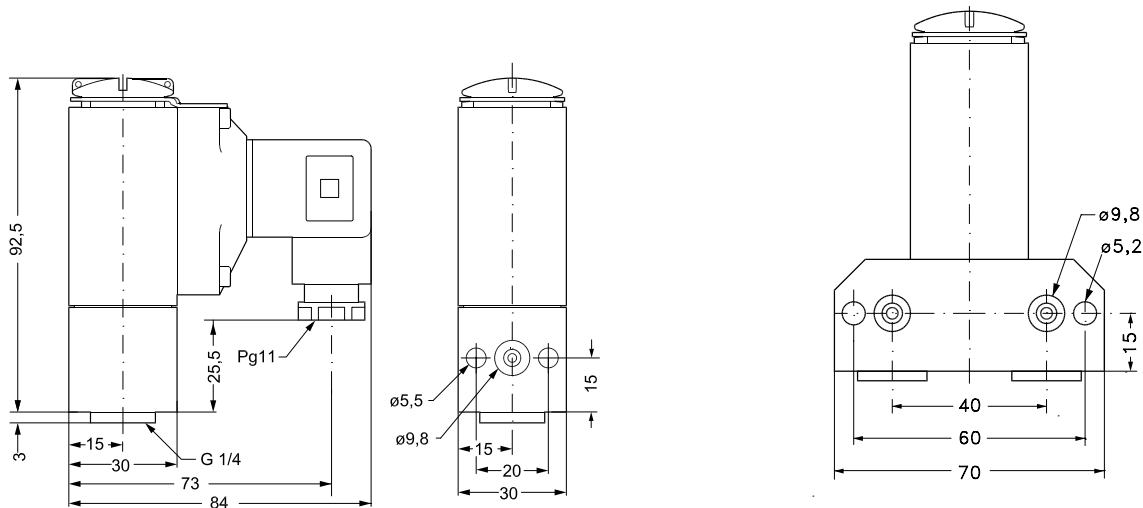
MBC pressure switches are used in industry and marine applications where space and reliability are the most important features. MBCs are compact pressure switches, designed according to our new block design to survive in the harsh conditions known from machine rooms onboard ships.

MBCs have high vibration resistance and feature all commonly marine approvals. The fixed, but low differential guarantees accurate monitoring of critical pressures. MBV test valves can be delivered as standard option for MBC pressure switches.

- All relevant marine approvals
- Pressure ranges: -0.2 – 400 bar
- Low differential (fixed) micro switch
- Resistant to shock and vibrations
- Enclosure IP65
- Diaphragm version for applications with pulsations/pressure peaks
- Compact design
- Low installations costs
- Fast and easy to operate
- Easy to mount on block test valve
- Available as differential pressure switch

## Dimensions and weight:

Weight: 0.4 kg.



All dimensions in millimetres

Approvals: CE marked in accordance with EN60947-5. All relevant marine approvals

## MBC 5100 block-type compact pressure switches

Contact function: Single pole double throw (SPDT)

Contact material: Silver

Loads: AC-1 (ohmic) 10A, 250V

AC-3 (motor) 3A, 250V

AC-15 (inductive) 0.5A, 250V



Plug Pg 11. Other electrical connections available on request

Setting range $P_e$ [bar]	Min. differential setting [bar]	Max differential setting [bar]	Max. working pressure $P_e$ [bar]	Connection		Code number
				G ¼ A	Flange	
<b>Low pressure bellows. Ambient temperature: -40 to 85 °C</b>						
-0.2 – 1	0.15	0.45	15	✓	✓	<b>061B000566</b>
-0.2 – 4	0.15	0.45	15	✓	✓	<b>061B000466</b>
-0.2 – 4	0.15	0.45	15	✓		<b>061B001066</b>
-0.2 – 10	0.15	0.6	15	✓	✓	<b>061B000266</b>
<b>Low pressure diaphragm. Ambient temperature: -10 to 85 °C</b>						
1 – 10	0.30	2.5	150	✓	✓	<b>061B100466</b>
1 – 10	0.30	2.5	150	✓		<b>061B100866</b>
5 – 20	0.4	2.5	150	✓	✓	<b>061B100266</b>
<b>High pressure diaphragm. Ambient temperature: -10 to 85 °C</b>						
5 – 40	1.0	7	150	✓	✓	<b>061B100566</b>
10 – 100	1.7	14	150	✓	✓	<b>061B100366</b>
<b>High pressure piston. Ambient temperature: -40 to 85 °C</b>						
16 – 160	12	30	600	✓		<b>061B510066</b>
25 – 250	12	40	600	✓		<b>061B510166</b>
40 – 400	15	50	600	✓		<b>061B510266</b>



## MBC 5180 block-type differential pressure switch

Setting range $P_e$ [bar]	Operating range LP side $P_e$ [bar]	Max. working pressure $P_e$ [bar]	Connection		Code number
			G ¼ A	G ¼ A w. flange	
0.3 – 5	0 – 30	45		✓	<b>061B128066</b>
0.3 – 5	0 – 30	45	✓		<b>061B129066</b>

## Spareparts for MBC5100

Type	Description	Code number
Pulse-snobber	Male, G ¼A, length 20 mm	<b>061B400101</b>
Pulse-snobber	Male, G ¼A, length 34 mm	<b>061B400201</b>
Pulse-snobber	For flange connection	<b>061B722101</b>



Pulse snubber  
20 mm



Pulse snubber  
34 mm



Pulse snubber for  
flange connection

# MBV 5000 pressure test valve

The MBV 5000 is a part of a block concept covering block pressure switches, block pressure transmitters, block test valves and accessories.

The block concept has been developed to save space, weight, and costs and meet the strict demands on marine equipment, including EU stipulations on such products.

MBV 5000 is designed in many different configurations for use in many different marine applications, for example: Monitoring, alarm indication, shut-down, diagnosing on equipment such as motors, gears, thrusters, pumps, filters, compressors, etc.

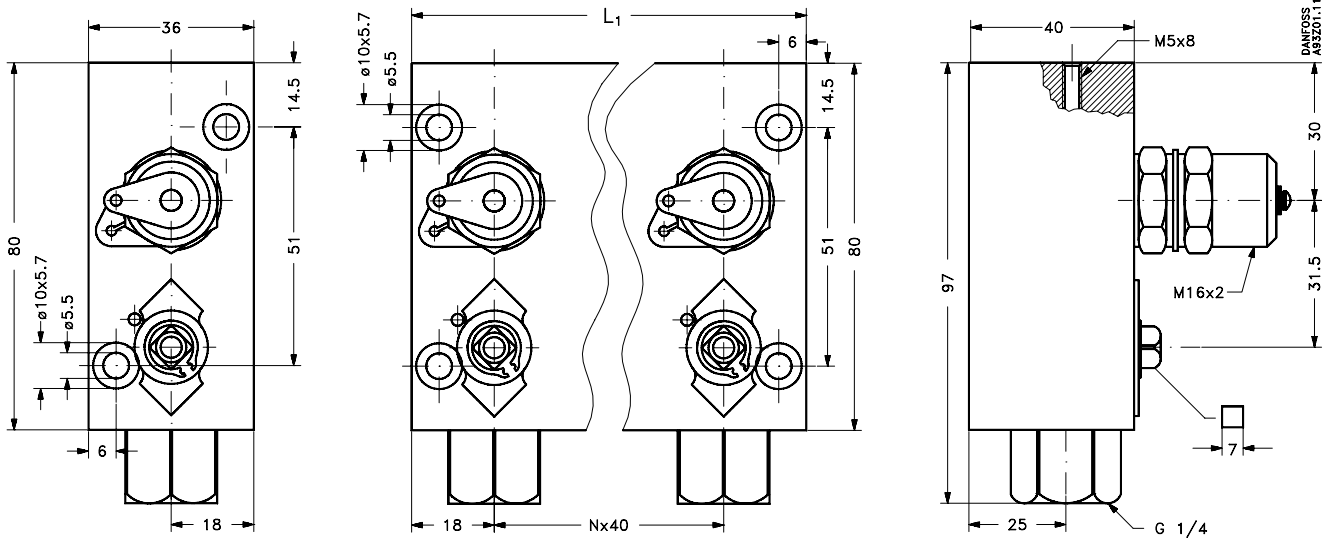
The block valve meets demands for fast installation, simple isolation, and easy test pressure connection.

- The MBV block valves designed in many configurations are for use with the MBC pressure switch or the MBS block pressure transmitter within the marine industry
- The valve meets demands for fast installation, simple isolation and easy test pressure connection



## Dimensions and weight:

Weight: 0.4 – 2.0 kg



All dimensions in millimetres

## MBV 5000 pressure test valve

Max working pressure, liquid media: 180 bar P<sub>e</sub> / gaseous media: 120 bar P<sub>e</sub>

Ambient temperature: -20 – 120 °C

Media temperature: -20 – 120 °C

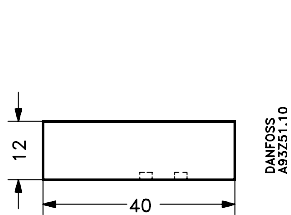


Type	Output no.	Length [mm]	Weight [kg]	Code number
MBV5000-1111	x1	36	0.4	<b>061B7000</b>
MBV5000-1211	x2	76	0.8	<b>061B7001</b>
MBV5000-1311	x3	116	1.2	<b>061B7002</b>
MBV5000-1411	x4	156	1.6	<b>061B7003</b>
MBV5000-1511	x5	196	2.0	<b>061B7004</b>
MBV5000-2211	x2	76	0.8	<b>061B7005</b>
MBV5000-2311	x3	116	1.2	<b>061B7006</b>
MBV5000-2411	x4	156	1.6	<b>061B7007</b>
MBV5000-2511	x5	196	2.0	<b>061B7008</b>
MBV5000-3211	x2	76	0.7	<b>061B7009</b>
MBV5000-3311	x3	116	1.0	<b>061B7010</b>
MBV5000-3411	x4	156	1.3	<b>061B7011</b>
MBV5000-3511	x5	196	1.6	<b>061B7012</b>

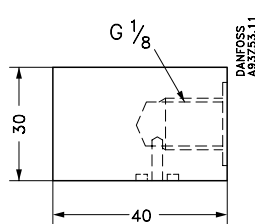
## Spareparts for MBV 5000

### Standard flange - G 1/8 adapters

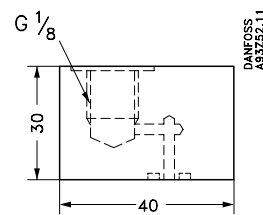
Description	Code number
Cover	<b>061B720001</b>
Angleway adapter	<b>061B720101</b>
Straightway adapter	<b>061B720201</b>



Cover



Angleway adapter



Straightway adapter

# RT temperature switches for temperature regulation



Suitable for a wide range of demanding industrial applications, RT temperature switches are designed to maintain a specific temperature difference between two media.

## **Wide regulating range**

The RT has a wide temperature regulating range from  $-60 - 300\text{ }^{\circ}\text{C}$ . Precise scales make it easy to set the temperature range and differential.

## **Variety of sensors and functions**

An IP66 enclosure and a range of sensor types – such as capillary tube sensors, room sensors and duct sensors – enable neutral zone adjustment and manual reset functions.

## **Contact systems**

RT temperature switches are available with standard contact systems for 3A, 400V AC15 loads and 4A, 400V AC3. Special contact versions are also available as spare parts.

## **Ultra-short bounce times**

The perfect Single Pole Double Throw (SPDT) snap function minimises wear during each operation and extends the contact life.

## **Cable entry for 6-14 mm diameter cables**

Two cable entries provide a number of possible electrical cable connections.

## **Longevity**

The RT has a mechanical lifetime of one million cycles over the full temperature range, and an electrical lifetime of 100,000 cycles at maximum load.

# RT temperature switches



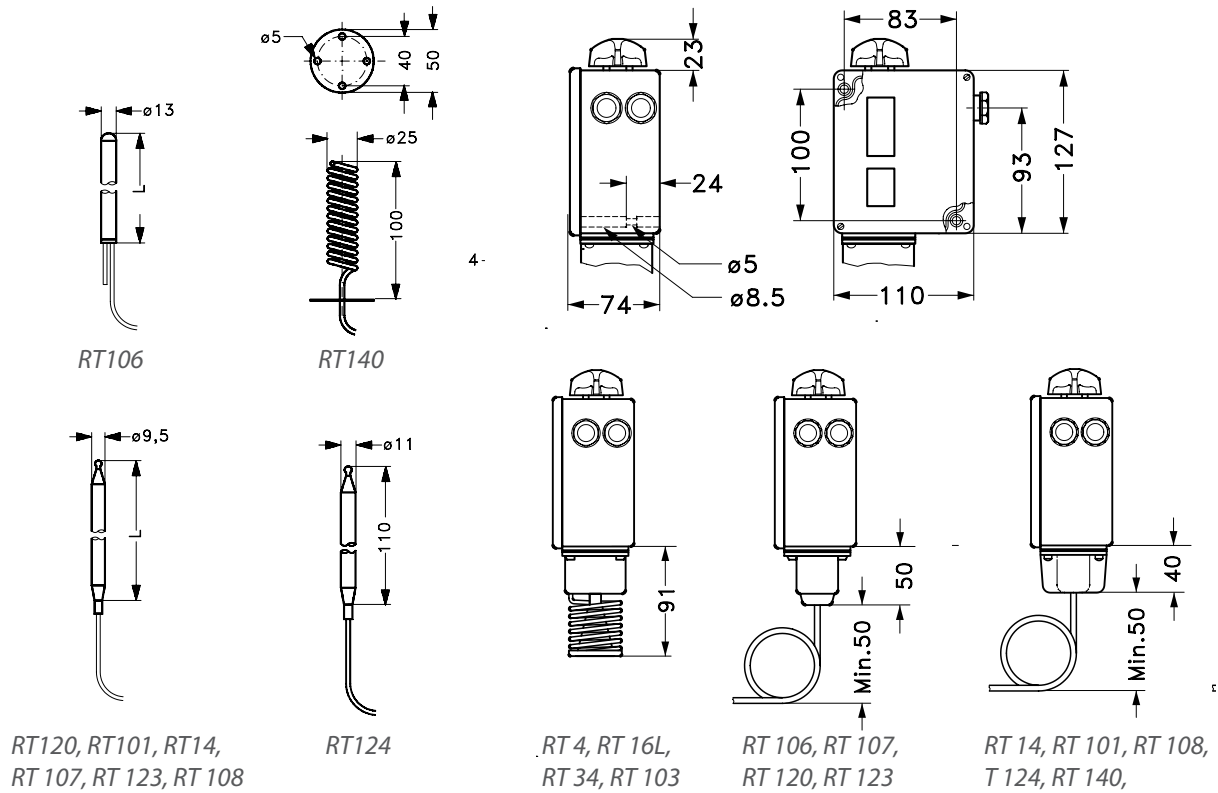
RT controls are used in general industrial and marine sectors. The RT temperature switch series consist of a variety of room temperature switches and remote sensor temperature switches including neutral zone temperature switches. RT temperature switches are generally recommended for applications where safety or economical consequences are critical factors.

RT controls have been in service for more than 70 years.

- Temperature range: -60 – 300 °C
- Replaceable contact system
- Also available with gold plated contact systems
- Adjustable differential
- Enclosure IP66
- Available with external max. reset function (IP54)
- Available with dead zone
- Available with all relevant marine approvals

## Dimensions and weight:

Weight: Appr. 1 kg



All dimensions in millimetres

Approvals: CE marked in accordance with EN60947-4/-5. Relevant marine approvals

## RT temperature switches - remote sensor with capillary tube

**Contact function:** Single pole double throw (SPDT)  
**Contact material:** Silver cadmium oxide (other contact material - see accessories)  
**Loads:** AC-1 ohmic 10A 400V  
 AC-3 (motor) 4A 400V  
 AC-15 (inductive) 3A 400V  
**Ambient temperature:** -50 – 70 °C  
**Media Temperature:** -40 – 100 °C



Type	Setting range [°C]	Adjustable differential range		Max sensor temperature [°C]	Capillary tube length [m]	Code number
		at lowest setting [°C]	at highest setting [°C]			

### Reset: Automatic. Enclosure: IP66

RT14	-5 – 30	2 – 8	2 – 10	150	2	<b>017-509966</b>
RT106	20 – 90	4 – 20	2 – 7	120	2	<b>017-504866</b>
RT101	25 – 90	2.4 – 10	3.5 – 20	300	2	<b>017-500366</b>
RT101	25 – 90	2.4 – 10	3.5 – 20	300	3	<b>017-500666</b>
RT101	25 – 90	2.4 – 10	3.5 – 20	300	5	<b>017-502266</b>
RT108	30 – 140	5 – 20	4 – 14	220	2	<b>017-506066</b>
RT107	70 – 150	6 – 25	1.8 – 8	215	2	<b>017-513566</b>
RT107	70 – 150	6 – 25	1.8 – 8	215	3	<b>017-513966</b>
RT107	70 – 150	6 – 25	1.8 – 8	215	5	<b>017-514066</b>
RT120	120 – 215	7 – 30	1.8 – 9	260	2	<b>017-520866</b>
RT123	150 – 250	6.5 – 30	1.8 – 9	300	2	<b>017-522066</b>
RT124	200 – 300	5 – 25	2.5 – 10	350	2	<b>017-522766</b>

### Reset: Max. Enclosure: IP54

RT101	25 – 90	2.4	4.1	300	2	<b>017-500466</b>
RT107	70 – 150	6	1.8	215	2	<b>017-513666</b>
RT107	70 – 150	6	1.8	215	5	<b>017-514166</b>
RT120	120 – 215	7	1.8	260	2	<b>017-521466</b>
RT123	150 – 250	6.5	1.8	300	2	<b>017-522466</b>
RT124	200 – 300	5	2.5	350	2	<b>017-523166</b>

## RT temperature switches - room sensor

Enclosure: IP66



Type	Setting range [°C]	Adjustable differential range		Max sensor temperature [°C]	Code number
		at lowest setting [°C]	at highest setting [°C]		
RT4	-5 – 30	1.5 – 7	1.2 – 4	75	<b>017-503666</b>
RT103	10 – 45	1.3 – 7	1 – 5	100	<b>017-515566</b>
RT34	-25 – 15	2 – 10	1 – 12	100	<b>017-511866</b>
RT16L <sup>1)</sup>	0 – 38	1.5 – 5	0.7 – 1.9	100	<b>017L002466</b>

<sup>1)</sup> Neutral zone setting: 0.7 – 1.5 bar

## RT temperature switches - duct sensor

Enclosure: IP66

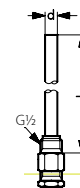


Type	Setting range [°C]	Adjustable differential setting range		Max sensor temperature [°C]	Capillary tube length [m]	Code number
		at lowest setting [°C]	at highest setting [°C]			
RT140	15 – 45	1.8 – 8	2.5 – 11	240	2	<b>017-523666</b>

## Spareparts and accessories for RT temperature switches

### Sensor pockets with stuffing box

Type / application	Sensor length [mm]	Pocket material		Pocket dimensions		Code number
		Brass	18/8 steel	L [mm]	d [mm]	
RT120, RT101, RT14, RT107, RT123	80	✓		112	11	<b>017-437066</b>
RT120, RT101	80/97		✓	112	11	<b>017-436966</b>
RT14	150	✓		182	11	<b>017-436766</b>
RT108	410	✓		465	11	<b>017-421666</b>
RT106	76	✓		110	15	<b>060L333066</b>



Type	Version	Description	Code number
Contact system	Standard	Single-pole changeover switch (SPDT) with terminal board proof against leakage current. Fitted in all stand versions of type RT	<b>017-403066</b>
Contact system	Standard	Single-pole changeover switch (SPDT) with gold plated (oxide free) contact surfaces. Increases cut-in reliability on alarm and monitoring systems etc.	<b>017-424066</b>
Contact system	Max reset	Snap action single-pole changeover switch (SPDT) with silver cadmium oxide contact. Designed for RT units performing max reset function.	<b>017-404266</b>

Type	Description	Code number
Setting knob	Replacement. Pale grey Ral 7035	<b>017-436366</b>
Seal cap	Seal cap to replace setting knob so that setting can only be altered with tools (tamper proof seal cap). Black	<b>017-436066</b>
Screws	Seal screws for cover and seal cap	<b>017-425166</b>
Stuffing box kit	For all thermostats with remote sensor. G 1/2A (pipe thread ISO228/1), oil resistant rubber washer for max 110 °C/90 bar	<b>017-422066</b>
Stuffing box kit	For all thermostats with remote sensor. G 3/4A (pipe thread ISO228/1), oil resistant rubber washer for max 110 °C/90 bar	<b>003N0155</b>
Sensor clip	For all RT units with remote sensor. L = 76 mm	<b>017-420366</b>
Heat conductive compound	For RT thermostats with the sensor insert in a pocket. Tube with 3.5cm <sup>3</sup> compound to be filled in the sensor pocket to improve heat transfer between pocket and sensor. Application range for compound: -20 – 150 °C, momentarily up to 220 °C.	<b>041E0114</b>





# KPS temperature switches

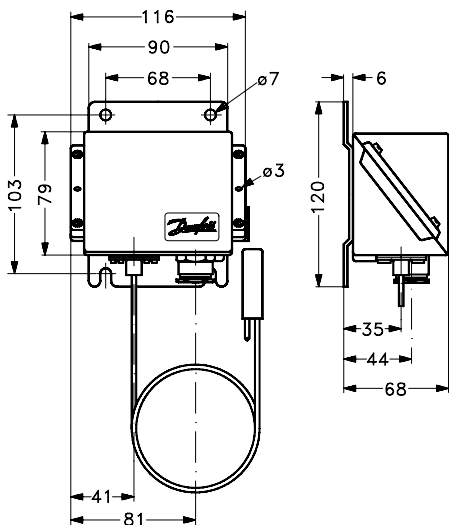


In the KPS thermostats series, special attention has been given to meeting important demands for a high level of enclosure, a robust, compact construction and resistance to shock and vibration. The KPS range covers most outdoor as well as indoor application requirements, and are suitable for use in monitoring, alarm and regulation systems in factories, diesel plant, compressors, powerstation and on board ships.

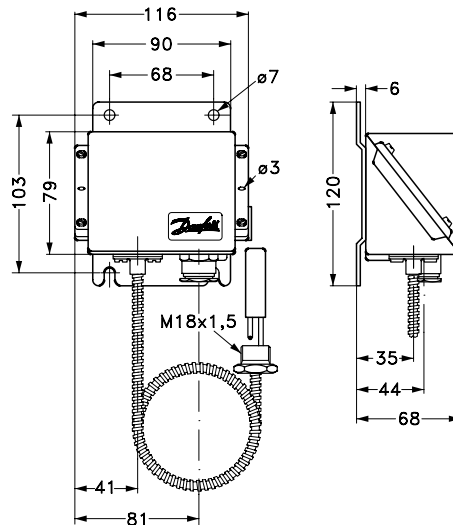
- Temperature setting ranges: -10 – 200 °C
- Gold plated contact systems
- Adjustable or fixed differential
- Robust and compact construction
- Resistance to shock and vibrations
- Enclosure IP67. Sturdy and sea water resistant.
- Available with all relevant marine approvals

## Dimensions and weight:

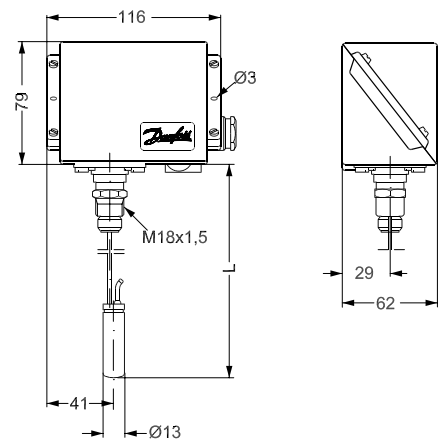
Weight: 1.0 – 1.4 kg



Weight:  
Including 2 m capillary tube:  
Appr. 1.2 kg



Weight:  
Including 2 m armoured  
capillary tube: Appr. 1.4 kg



Weight:  
Including rigid sensor:  
Appr. 1.0 kg

All dimensions in millimetres

Approvals: CE marked in accordance with EN60947-4/-5. UL E73170. All relevant marine approvals.

## KPS temperature switches

Contact function: Single pole double throw (SPDT)

Contact material: Gold plated silver

Load: AC-1 (ohmic): 10A, 440V  
 AC-3 (motor): 6A, 440V  
 AC-15 (inductive): 4A, 440V

Ambient temperature: -40 – 70 °C

KPS, remote sensor with armoured capillary tube



Type	Setting range [°C]	Adjustable differential range [°C]	Max sensor temperature [°C]	Capillary tube length [m]	Sensor size (ØxL) [mm]	Code number
KPS76	-10 – 30	3 – 10	80	2	13 x 63	<b>060L311266</b>
KPS77	20 – 60	3 – 14	130	2	13 x 63	<b>060L310166</b>
KPS79	50 – 100	4 – 16	200	2	13 x 63	<b>060L310466</b>
KPS81	60 – 150	5 – 25	250	2	13 x 63	<b>060L310666</b>
KPS80	70 – 120	4.5 – 18	220	2	13 x 63	<b>060L312866</b>
KPS80	70 – 120	4.5 – 18	220	5	13 x 90	<b>060L313066</b>
KPS80	70 – 120	4.5 – 18	220	3	13 x 63	<b>060L315666</b>
KPS83	100 – 200	6.5 – 30	300	2	13 x 63	<b>060L310866</b>

KPS, rigid sensor



Type	Setting range [°C]	Adjustable differential range [°C]	Max sensor temperature [°C]	Sensor size (ØxL) [mm]	Code number
KPS77	20 – 60	3 – 14	130	13 x 63	<b>060L310066</b>
KPS77	20 – 60	3 – 14	130	13 x 63	<b>060L311866</b>
KPS79	50 – 100	4 – 16	200	13 x 63	<b>060L310366</b>
KPS79	50 – 100	4 – 16	200	13 x 63	<b>060L312166</b>
KPS80	70 – 120	4.5 – 18	220	13 x 63	<b>060L312666</b>

KPS, remote sensor with capillary tube

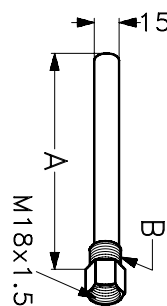


Type	Setting range [°C]	Adjustable differential range [°C]	Max sensor temperature [°C]	Capillary tube length [m]	Sensor size (ØxL) [mm]	Code number
KPS77	20 – 60	3 – 14	130	2	13 x 63	<b>060L310266</b>
KPS79	50 – 100	4 – 16	200	2	13 x 63	<b>060L310566</b>
KPS80	70 – 120	4.5 – 18	220	2	13 x 63	<b>060L312966</b>

## Spareparts and accessories for KPS temperature switches

### Sensor pockets without stuffing box

Pocket length - A [mm]	Pocket thread - B				Pocket material		Code number
	G $\frac{1}{2}$ A	G $\frac{3}{8}$ A	ISO 228/1 G $\frac{3}{4}$ A	ISO 228/1 G $\frac{1}{2}$ A	Brass	18/8 steel	
75	✓				✓		<b>060L326266</b>
75		✓			✓		<b>060L326666</b>
75				✓	✓		<b>060L328166</b>
110	✓				✓		<b>060L327166</b>
110			✓		✓		<b>060L340366</b>
160	✓				✓		<b>060L326366</b>
200	✓				✓		<b>060L320666</b>
250	✓				✓		<b>060L325466</b>
75	✓					✓	<b>060L326766</b>
110	✓					✓	<b>060L326866</b>
160	✓					✓	<b>060L326966</b>



### Stuffing box kits

Description	Code number
For KPS thermostats without armoured capillary tube	<b>060L327366</b>
For KPS thermostats with armoured capillary tube	<b>060L036666</b>



### Heat conductive compound

Description	Code number
For KPS thermostats with sensor fitted in a sensor pocket. Compound for filling sensor pocket to improve heat transfer between pocket and sensor. Application temperature range: -20 to 150 °C, momentarily up to 220 °C	<b>041E0114</b>

# KP temperature switches

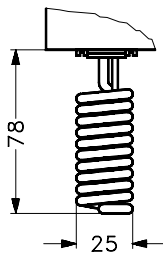


Danfoss KP thermostats are used for control, monitoring and alarm systems in industry. The KP thermostat series are temperature activated electric switches fitted with a single-pole double throw switch (SPDT), which can control single-phase ac motors of up to 2 kW directly.

- Temperature ranges: -30 – 150 °C
- High contact load - Ultra short bounce-time
- Also available with gold plated contact systems
- Enclosure IP44 when mounted with top cover and back plate
- Also available with enclosure IP55 for OEM customers
- Small dimensions - space saving - easy to install

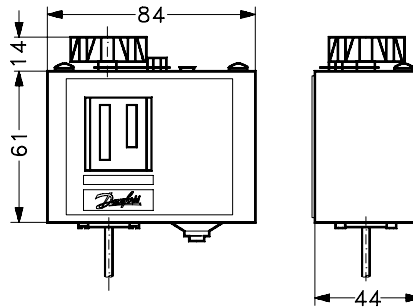
## Dimensions and weight:

Weight: Appr. 0.4 kg

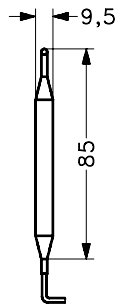


KP 62

KP 75: Sensor tinned copper Cu/Sn 5



KP 61, 62, 68, 75, KP 78, KP 79, KP 81



KP 78, 79, 81: Sensor tinned copper Cu/Sn 5

All dimensions in millimetres

Approvals: CE marked in accordance with EN60947-4/-5. Electrical Safety Certificate - FM. UL E31024. Relevant marine approvals

## KP temperature switches

**Contact system:** Single pole double throw (SPDT)  
**Contact material:** Silver cadmium oxide  
**Load:** AC-1 (ohmic): 16A 400V  
 AC-3 (motor): 16A 400V  
 AC-15 (inductive): 10A 400V

**Enclosure:** IP30  
**Ambient temperature:** -40 – 65 °C  
**Reset:** Automatic

Remote sensor with capillary tube



Type	Setting range [°C]	Adjustable differential range [°C]	Max sensor temperature [°C]	Sensor size (ØxL) [mm]	Capillary tube length [m]	Code number
KP71	-5 – 20	2.2 – 10	80	9.5 x 115	2	<b>060L111366</b>
KP77	20 – 60	3.5 – 10	130	9.5 x 85	2	<b>060L112166</b>
KP78	30 – 90	5 – 15	150	9.5 x 85	2	<b>060L118466</b>
KP79	50 – 100	5 – 15	150	9.5 x 85	2	<b>060L112666</b>
KP81	80 – 150	7 – 20	200	9.5 x 85	2	<b>060L112566</b>
KP81 <sup>1)</sup>	80 – 150	8	200	9.5 x 85	2	<b>060L115566</b>

<sup>1)</sup> Maximum reset function

## Straight capillary tube sensor

Type	Setting range [°C]	Adjustable differential range [°C]	Max sensor temperature [°C]	Sensor Ø [mm]	Capillary tube sensor length [m]	Code number
KP61	-30 – 15	1.5 – 23	120	2.5	5	<b>060L110166</b>
KP61	-30 – 15	1.5 – 23	120	2.5	2	<b>060L110066</b>



## Room sensor

Type	Setting range [°C]	Adjustable differential range [°C]	Max sensor temperature [°C]	Sensor size (ØxL) [mm]	Code number
KP62	-30 – 15	2 – 20	80	25 x 78	<b>060L111066</b>
KP68	-5 – 35	1.8 – 25	120	40 x 30	<b>060L111166</b>
KP75 <sup>1)</sup>	0 – 40	3 – 10	80	25 x 78	<b>060L117166</b>
KP76	5 – 45	2 – 20	120	25 x 78	<b>060L120066</b>

<sup>1)</sup> Contact material: Gold plated silver

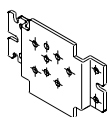


## Spareparts and accessories for KP temperature switch



Type	Description	Code numbers
Wall bracket	Mounting screw and washers included	<b>060-105566</b>
Angle bracket	Mounting screw and washers included	<b>060-105666</b>
Screwed cable entry	Pg 13.5 with special nut. For 6 – 14 mm diameter cables	<b>060-105966</b>
Top cover	For single control. If a wall or angle bracket is mounted on the backplate of the housing, the KP will have an IP44 grade of enclosure by means of this cover	<b>060-109766</b>
IP55 enclosure	For single control. Specially designed IP55 enclosure , not transparent	<b>060-033066</b>
Sensor pocket	Application: KP 77, 78, 79, 81. Brass. Pocket dimension: L 110 x Ø 15 mm. With stuffing box	<b>060L333066</b>
Sensor pocket	Application: KP 77, 78, 79, 81. Stainless steel. Pocket dimension: L 110 x Ø 15 mm. With stuffing box	<b>060L333166</b>
Heat conductive compound	For sensor pockets. Tube with 3.5cm <sup>3</sup> compound to be filled in the sensor pocket to improve heat transfer between pocket and sensor. Application range for compound: -20 – 150 °C, momentarily up to 220 °C.	<b>041E0114</b>

Brackets



For wall mounting



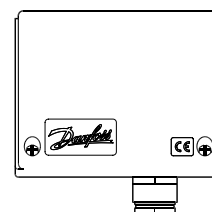
For 35 mm rail mounting



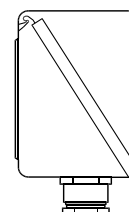
Screwed cable entry



Top cover



IP55 enclosure



# The MBC 8100 compact temperature switches

MBC 8100 temperature switches are suitable for use in monitoring and alarm systems in factories, diesel plants, compressors and power stations, as well as in marine applications.

## Alarm and monitoring

As part of alarm and control circuits, the switches give signals within narrow non-drifting limits, typically in lubrication and cooling oil applications, including diesel engines and gear boxes.

## Compact space-saving solution

The block design allows packed mounting, providing a high degree of integrity for your machinery.

## Excellent vibration and shock resistance

Ideal for heavy-duty applications, the MBC 8100's high vibration resistance increases the reliability of the entire system.

## Adjustable range with fixed differential

The MBC 8100 comes pre-set from the factory, but it also has an adjustable range and low fixed differential for accurate monitoring of critical temperatures.

## Resistance to media

The sensor pocket is available in brass or stainless steel.



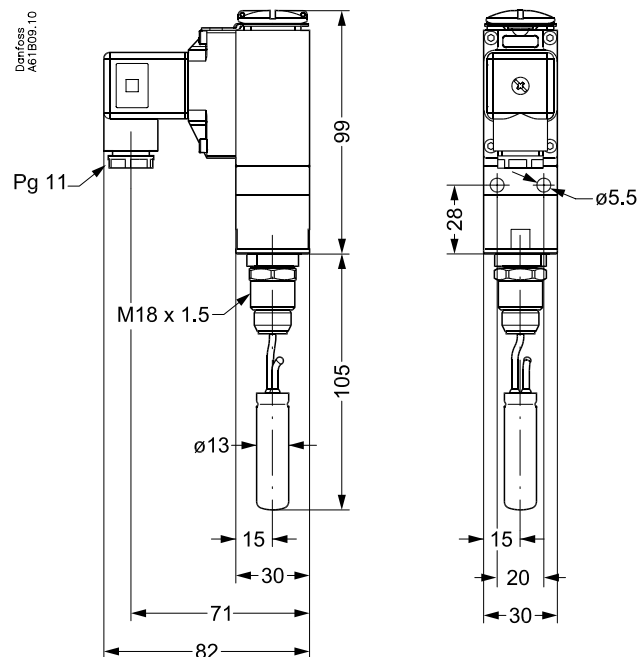
# MBC 8100 block-type compact temperature switches for marine applications



MBC 8100 thermostats are used in marine applications where space and reliability are the most important features. MBCs are compact thermostats, designed according to our new block design to survive in the harsh conditions known from machine rooms onboard ships. MBCs have high vibration resistance and feature all commonly marine approvals. The fixed, but low differential guarantees accurate monitoring of critical temperatures. Also available without marine approvals (MBC 8000; please contact Danfoss for information)

- Block design
- Fully electromechanical
- -10 – 200 °C temperature range
- Available with all relevant marine approvals
- Designed to meet the strict demands in the marine equipment

## Dimensions and weight:



All dimensions in millimetres

Approvals: CE marked in accordance with EN60947-5. All relevant marine approvals.



## MBC 8100 block-type compact temperature switches

**Contact function:** Single pole double throw (SPDT)  
**Loads:** AC-1 (ohmic) 10A, 250V  
 AC-3 (motor) 3A, 250V  
 AC-15 (inductive) 0.5A, 250V  
**Ambient temperature:** -40 – 85 °C  
**Enclosure:** IP65  
**Electrical connection:** Plug Pg 11. Other connections available on request.



### MBC 8100 with rigid sensor

Temp. setting range [°C]	Fixed diff. [°C]	Max. sensor temp. [°C]	Sensor size (ØxL) [mm]	Sensor pocket, length [mm]	Code number
20 – 60	3	130	13 x 50	75	<b>061B800266</b>
50 – 100	4	200	13 x 50	75	<b>061B800366</b>
60 – 150	6	250	13 x 50	75	<b>061B800566</b>
70 – 120	5	220	13 x 50	75	<b>061B800466</b>



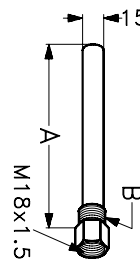
### MBC 8100 with armoured capillary tube, length: 2 m

Temp. setting range [°C]	Fixed diff. [°C]	Max. sensor temp. [°C]	Sensor size (ØxL) [mm]	Code number
-10 – 30	3	80	13 x 50	<b>061B810166</b>
20 – 60	3	130	13 x 50	<b>061B810266</b>
50 – 100	4	200	13 x 50	<b>061B810366</b>
70 – 120	5	220	13 x 50	<b>061B810466</b>
60 – 150	6	250	13 x 50	<b>061B810566</b>

## Spareparts and accessories for MBC 8100 temperature switches

### Sensor pockets without stuffing box

Pocket length - A [mm]	Pocket thread - B				Pocket material		Code number
	G ½ A	G ¾ A	ISO 228/1		Brass	18/8 steel	
75	✓				✓		<b>060L326266</b>
75		✓			✓		<b>060L326666</b>
75				✓	✓		<b>060L328166</b>
110	✓				✓		<b>060L327166</b>
110				✓	✓		<b>060L340366</b>
160	✓				✓		<b>060L326366</b>
200	✓				✓		<b>060L320666</b>
250	✓				✓		<b>060L325466</b>
75	✓					✓	<b>060L326766</b>
110	✓					✓	<b>060L326866</b>
160	✓					✓	<b>060L326966</b>



### Stuffing box kits

Description	Code number
For MBC thermostats without armoured capillary tube	<b>060L327366</b>
For MBC thermostats with armoured capillary tube	<b>060L036666</b>



Type	Description	Code number
Heat conductive compound	For thermostats with sensor fitted in a sensor pocket. Compound for filling sensor pocket to improve heat transfer between pocket and sensor. Application temperature range: -20 – 150 °C, momentarily up to 220 °C	<b>041E0114</b>

# Code number index

Code number .....	page	Code number .....	page	Code number .....	page	Code number .....	page
003N0042 .....	62	017-422066.....	162	017-528266.....	137	018F6703 .....	43
003N0043 .....	62	017-422966.....	145	017-529166.....	136	018F6703 .....	43
003N0045 .....	62	017-424066.....	138	017-529566.....	136	018F6703 .....	48
003N0046 .....	62	017-424066.....	162	017B0002 .....	141	018F6703 .....	48
003N0047 .....	62	017-425166.....	138	017B0006 .....	141	018F6703 .....	51
003N0050 .....	64	017-425166.....	162	017B0010 .....	141	018F6703 .....	51
003N0062 .....	64	017-436066.....	138	017B0014 .....	141	018F6707 .....	28
003N0075 .....	64	017-436066.....	162	017B0018 .....	141	018F6707 .....	32
003N0078 .....	64	017-436366.....	138	017B0022 .....	141	018F6707 .....	38
003N0091 .....	64	017-436366.....	162	017B0026 .....	141	018F6707 .....	43
003N0107 .....	62	017-436766.....	64	017B0030 .....	141	018F6707 .....	48
003N0108 .....	62	017-436766.....	162	017B0034 .....	141	018F6707 .....	51
003N0109 .....	62	017-436866.....	138	017B0038 .....	141	018F6709 .....	28
003N0155 .....	64	017-436866.....	145	017B0042 .....	141	018F6709 .....	32
003N0155 .....	162	017-436966.....	162	017B0046 .....	141	018F6709 .....	38
003N0192 .....	64	017-437066.....	162	017B0050 .....	141	018F6709 .....	43
003N0196 .....	64	017-500366.....	161	017B0054 .....	141	018F6709 .....	48
003N0278 .....	64	017-500466.....	161	017B0058 .....	141	018F6709 .....	51
003N0388 .....	64	017-500666.....	161	017B0062 .....	141	018F6711 .....	28
003N1132 .....	62	017-502266.....	161	017B0066 .....	141	018F6711 .....	32
003N1144 .....	62	017-503666.....	161	017B0070 .....	141	018F6711 .....	38
003N1162 .....	62	017-504866.....	161	017B0074 .....	141	018F6711 .....	43
003N1182 .....	62	017-506066.....	161	017B1018 .....	141	018F6711 .....	48
003N2132 .....	62	017-509466.....	136	017B1019 .....	141	018F6711 .....	51
003N2150 .....	62	017-509966.....	161	017D002166.....	137	018F6756 .....	28
003N2162 .....	62	017-511866.....	161	017D002366.....	137	018F6756 .....	32
003N2182 .....	62	017-513566.....	161	017D002466.....	137	018F6756 .....	38
003N3132 .....	62	017-513666.....	161	017D002566.....	137	018F6756 .....	43
003N3150 .....	62	017-513966.....	161	017D002766.....	137	018F6756 .....	48
003N3162 .....	62	017-514066.....	161	017D004566.....	137	018F6756 .....	51
003N3182 .....	62	017-514166.....	161	017D004866.....	137	018F6757 .....	28
003N4132 .....	62	017-515566.....	161	017L002466.....	161	018F6757 .....	32
003N4150 .....	62	017-518166.....	137	017L003266.....	136	018F6757 .....	38
003N4162 .....	62	017-518266.....	137	018F0091 .....	28	018F6757 .....	43
003N4182 .....	62	017-518766.....	137	018F0091 .....	33	018F6757 .....	48
016D0075 .....	44	017-518866.....	137	018F0091 .....	40	018F6757 .....	51
016D0076 .....	44	017-518966.....	137	018F0091 .....	43	018F6968 .....	55
016D0077 .....	44	017-519166.....	136	018F0091 .....	49	018F7351 .....	28
016D0078 .....	44	017-519266.....	136	018F4511 .....	55	018F7351 .....	32
016D0079 .....	44	017-519666.....	136	018F4511 .....	55	018F7351 .....	38
016D0080 .....	44	017-519966.....	136	018F4517 .....	55	018F7351 .....	43
016D0095 .....	44	017-520066.....	136	018F4517 .....	55	018F7351 .....	48
016D0096 .....	44	017-520366.....	136	018F4519 .....	55	018F7351 .....	51
016D3330 .....	43	017-520466.....	136	018F6701 .....	28	018F7352 .....	28
016D3331 .....	43	017-520866.....	161	018F6701 .....	32	018F7352 .....	32
016D6065 .....	43	017-521466.....	161	018F6701 .....	38	018F7352 .....	38
016D6080 .....	43	017-521566.....	136	018F6701 .....	43	018F7352 .....	43
016D6100 .....	43	017-522066.....	161	018F6701 .....	48	018F7352 .....	48
017-401366.....	138	017-522466.....	161	018F6701 .....	51	018F7352 .....	51
017-403066.....	138	017-522766.....	161	018F6702 .....	28	018F7353 .....	28
017-403066.....	162	017-523166.....	161	018F6702 .....	32	018F7353 .....	28
017-404166.....	138	017-523666.....	161	018F6702 .....	38	018F7353 .....	32
017-404266.....	138	017-523766.....	136	018F6702 .....	43	018F7353 .....	32
017-404266.....	162	017-523866.....	136	018F6702 .....	48	018F7353 .....	38
017-420366.....	162	017-523966.....	136	018F6702 .....	51	018F7353 .....	38
017-420566.....	138	017-525566.....	136	018F6703 .....	28	018F7353 .....	43
017-420566.....	143	017-526266.....	137	018F6703 .....	28	018F7353 .....	43
017-420566.....	145	017-526766.....	137	018F6703 .....	32	018F7353 .....	48
017-421666.....	162	017-526866.....	137	018F6703 .....	32	018F7353 .....	48
017-421966.....	138	017-526966.....	137	018F6703 .....	38	018F7353 .....	51
017-422066.....	64	017-528066.....	137	018F6703 .....	38	018F7353 .....	51

Code number .....	page	Code number .....	page	Code number .....	page	Code number .....	page
018F7358.....	28	018Z0291.....	58	032U0296.....	39	032U3621.....	27
018F7358.....	32	018Z6987.....	58	032U0299.....	39	032U3622.....	27
018F7358.....	38	027N3065.....	44	032U0681.....	40	032U3623.....	27
018F7358.....	43	027N3080.....	44	032U0682.....	40	032U3624.....	27
018F7358.....	48	027N3100.....	44	032U0683.....	40	032U3629.....	26
018F7358.....	51	031E020066.....	154	032U1062.....	32	032U3630.....	27
018F7360.....	28	031E020266.....	154	032U1063.....	32	032U3631.....	27
018F7360.....	28	031E020566.....	154	032U1065.....	32	032U3632.....	27
018F7360.....	32	031E021066.....	154	032U1066.....	32	032U3633.....	27
018F7360.....	32	031E021566.....	154	032U1067.....	32	032U3636.....	27
018F7360.....	38	031E022066.....	154	032U1068.....	32	032U3637.....	27
018F7360.....	38	031E022566.....	154	032U1069.....	32	032U3638.....	27
018F7360.....	43	031E023066.....	154	032U1070.....	32	032U3639.....	27
018F7360.....	43	031E023566.....	154	032U1071.....	39	032U3640.....	27
018F7360.....	48	031E024566.....	154	032U1072.....	39	032U3641.....	27
018F7360.....	48	031E025066.....	154	032U1073.....	39	032U3642.....	26
018F7360.....	51	031E025566.....	154	032U1074.....	39	032U3643.....	26
018F7360.....	51	031E029166.....	154	032U1075.....	39	032U3802.....	54
018F7361.....	28	031E029366.....	154	032U1076.....	39	032U3803.....	54
018F7361.....	32	031E029666.....	154	032U1077.....	39	032U3804.....	54
018F7361.....	38	031E029766.....	154	032U1078.....	39	032U3805.....	54
018F7361.....	43	031E029866.....	154	032U1079.....	39	032U3806.....	54
018F7361.....	48	032H8000.....	16	032U1080.....	39	032U3807.....	54
018F7361.....	51	032H8001.....	16	032U1081.....	39	032U4901.....	23
018F7396.....	28	032H8002.....	16	032U1082.....	39	032U4904.....	23
018F7396.....	32	032H8003.....	16	032U1200.....	26	032U4916.....	23
018F7396.....	38	032H8004.....	16	032U1205.....	26	032U4919.....	23
018F7396.....	43	032H8005.....	17	032U1220.....	26	032U5250.....	47
018F7396.....	48	032H8006.....	17	032U1225.....	26	032U5251.....	47
018F7396.....	51	032H8007.....	17	032U1231.....	26	032U5252.....	47
018F7397.....	28	032H8008.....	17	032U1236.....	31	032U5253.....	47
018F7397.....	32	032H8009.....	17	032U1237.....	31	032U5254.....	47
018F7397.....	38	032H8014.....	17	032U1238.....	31	032U5255.....	47
018F7397.....	43	032H8015.....	17	032U1239.....	31	032U5256.....	47
018F7397.....	48	032H8016.....	17	032U1241.....	31	032U5257.....	47
018F7397.....	51	032H8017.....	17	032U1242.....	31	032U5271.....	49
018F7655.....	28	032H8018.....	17	032U1246.....	31	032U5273.....	49
018F7655.....	28	032H8019.....	17	032U1247.....	31	032U5315.....	49
018F7655.....	32	032H8027.....	16	032U1249.....	31	032U5317.....	49
018F7655.....	32	032H8029.....	17	032U1251.....	31	032U5319.....	49
018F7655.....	38	032H8031.....	17	032U1252.....	31	032U5320.....	49
018F7655.....	38	032H8033.....	17	032U1255.....	31	032U5321.....	49
018F7655.....	48	032H8039.....	17	032U1256.....	31	032U5322.....	49
018F7655.....	48	032H8041.....	17	032U1260.....	31	032U5350.....	47
018F7658.....	28	032H8043.....	17	032U1261.....	31	032U5352.....	47
018F7658.....	28	032H8087.....	15	032U1263.....	31	032U5354.....	47
018F7658.....	32	032H8089.....	15	032U1266.....	31	032U5356.....	47
018F7658.....	32	032H8095.....	15	032U3171.....	55	032U5701.....	26
018F7658.....	38	032H8097.....	15	032U3172.....	55	032U5702.....	26
018F7658.....	38	032H8099.....	15	032U3173.....	55	032U5704.....	26
018F7658.....	48	032H8125.....	15	032U3601.....	26	032U5705.....	26
018F7658.....	48	032U0082.....	40	032U3605.....	26	032U5706.....	26
018F7663.....	28	032U0084.....	40	032U3606.....	26	032U5707.....	26
018F7663.....	28	032U0085.....	40	032U3607.....	26	032U5708.....	26
018F7663.....	32	032U0086.....	40	032U3608.....	26	032U5709.....	26
018F7663.....	32	032U0087.....	40	032U3615.....	26	032U5710.....	26
018F7663.....	38	032U0150.....	39	032U3616.....	26	032U5815.....	36
018F7663.....	38	032U0165.....	32	032U3617.....	26	032U5820.....	36
018F7663.....	48	032U0166.....	32	032U3618.....	26	032U5825.....	36
018F7663.....	48	032U0167.....	32	032U3619.....	27	032U5825.....	36
018Z0290.....	58	032U0295.....	39	032U3620.....	27	032U5832.....	36

Code number .....	page	Code number .....	page	Code number .....	page	Code number .....	page
032U5840 .....	37	032U8363 .....	51	032U380731 .....	54	042N0185 .....	52
032U5850 .....	37	032U8364 .....	51	032U451402 .....	36	042N0263 .....	15
032U6013 .....	39	032U8365 .....	51	032U451416 .....	36	042N0263 .....	15
032U6014 .....	39	032U8500 .....	36	032U451431 .....	36	042N0263 .....	17
032U6015 .....	39	032U8501 .....	36	032U453002 .....	36	042N0263 .....	17
032U6016 .....	39	032U8502 .....	36	032U453016 .....	36	042N0263 .....	20
032U6017 .....	39	032U8503 .....	37	032U453031 .....	36	042N0263 .....	23
032U6018 .....	39	032U8504 .....	37	032U453402 .....	36	042N0263 .....	28
032U6156 .....	52	032U8505 .....	37	032U453416 .....	36	042N0263 .....	28
032U6157 .....	52	032U8506 .....	36	032U453431 .....	36	042N0263 .....	28
032U6158 .....	52	032U8507 .....	36	032U456802 .....	36	042N0263 .....	32
032U6159 .....	52	032U8508 .....	36	032U456816 .....	36	042N0263 .....	32
032U6160 .....	52	032U8509 .....	37	032U456831 .....	36	042N0263 .....	32
032U6161 .....	52	032U8510 .....	37	032U458502 .....	36	042N0263 .....	38
032U7115 .....	36	032U8511 .....	37	032U458516 .....	36	042N0263 .....	38
032U7116 .....	36	032U145802 .....	26	032U458531 .....	36	042N0263 .....	38
032U7117 .....	37	032U145816 .....	26	032U460402 .....	36	042N0263 .....	43
032U7120 .....	36	032U145831 .....	26	032U460416 .....	36	042N0263 .....	48
032U7121 .....	36	032U147002 .....	26	032U460431 .....	36	042N0263 .....	48
032U7122 .....	37	032U147016 .....	26	032U528602 .....	31	042N0263 .....	51
032U7125 .....	36	032U147031 .....	26	032U528616 .....	31	042N0265 .....	15
032U7126 .....	36	032U148002 .....	26	032U528631 .....	31	042N0265 .....	15
032U7127 .....	37	032U148016 .....	26	032U528702 .....	31	042N0265 .....	17
032U7132 .....	37	032U148031 .....	26	032U528716 .....	31	042N0265 .....	17
032U7133 .....	37	032U151802 .....	31	032U528731 .....	31	042N0265 .....	20
032U7134 .....	37	032U151816 .....	31	032U537431 .....	47	042N0265 .....	23
032U7140 .....	37	032U151831 .....	31	032U537631 .....	47	042N0265 .....	28
032U7141 .....	37	032U153802 .....	31	041E0114 .....	162	042N0265 .....	28
032U7142 .....	37	032U153816 .....	31	041E0114 .....	165	042N0265 .....	28
032U7150 .....	37	032U153831 .....	31	041E0114 .....	168	042N0265 .....	32
032U7151 .....	37	032U157102 .....	47	041E0114 .....	171	042N0265 .....	32
032U7152 .....	37	032U157116 .....	47	042N0156 .....	15	042N0265 .....	32
032U7170 .....	36	032U157131 .....	47	042N0156 .....	15	042N0265 .....	38
032U7171 .....	36	032U158002 .....	47	042N0156 .....	17	042N0265 .....	38
032U7172 .....	36	032U158016 .....	47	042N0156 .....	17	042N0265 .....	38
032U7173 .....	37	032U158031 .....	47	042N0156 .....	20	042N0265 .....	43
032U7174 .....	37	032U161402 .....	47	042N0156 .....	23	042N0265 .....	48
032U7175 .....	37	032U161416 .....	47	042N0156 .....	28	042N0265 .....	48
032U7180 .....	37	032U161431 .....	47	042N0156 .....	28	042N0265 .....	51
032U7181 .....	37	032U162402 .....	47	042N0156 .....	28	042N0840 .....	15
032U7182 .....	37	032U162416 .....	47	042N0156 .....	32	042N0840 .....	15
032U7183 .....	37	032U162431 .....	47	042N0156 .....	32	042N0840 .....	17
032U7184 .....	37	032U380402 .....	54	042N0156 .....	32	042N0840 .....	17
032U7185 .....	37	032U380416 .....	54	042N0156 .....	38	042N0840 .....	20
032U7390 .....	39	032U380420 .....	54	042N0156 .....	38	042N0841 .....	15
032U7390 .....	44	032U380429 .....	54	042N0156 .....	38	042N0841 .....	15
032U8039 .....	58	032U380431 .....	54	042N0156 .....	43	042N0841 .....	17
032U8040 .....	58	032U380502 .....	54	042N0156 .....	48	042N0841 .....	17
032U8041 .....	58	032U380516 .....	54	042N0156 .....	48	042N0841 .....	20
032U8042 .....	58	032U380520 .....	54	042N0156 .....	51	042N0842 .....	15
032U8052 .....	58	032U380529 .....	54	042N0156 .....	55	042N0842 .....	15
032U8053 .....	58	032U380531 .....	54	042N0156 .....	55	042N0842 .....	17
032U8054 .....	58	032U380602 .....	54	042N0185 .....	15	042N0842 .....	17
032U8055 .....	58	032U380616 .....	54	042N0185 .....	17	042N0842 .....	20
032U8056 .....	58	032U380620 .....	54	042N0185 .....	20	042N0843 .....	15
032U8057 .....	58	032U380629 .....	54	042N0185 .....	23	042N0843 .....	17
032U8118 .....	52	032U380631 .....	54	042N0185 .....	28	042N0843 .....	20
032U8119 .....	52	032U380702 .....	54	042N0185 .....	33	042N0845 .....	15
032U8360 .....	51	032U380716 .....	54	042N0185 .....	40	042N0845 .....	15
032U8361 .....	51	032U380720 .....	54	042N0185 .....	43	042N0845 .....	17
032U8362 .....	51	032U380729 .....	54	042N0185 .....	49	042N0845 .....	17

Code number .....	page	Code number .....	page	Code number .....	page	Code number .....	page
042N0845 .....	20	042N7508 .....	28	060-019166 .....	138	060-316266 .....	145
042N0848 .....	15	042N7508 .....	32	060-033066 .....	148	060-316466 .....	148
042N0848 .....	17	042N7508 .....	38	060-033066 .....	151	060-316966 .....	148
042N0848 .....	20	042N7510 .....	23	060-033066 .....	168	060-319366 .....	148
042N4191 .....	15	042N7510 .....	28	060-104766 .....	108	060-324166 .....	138
042N4191 .....	15	042N7510 .....	32	060-104766 .....	138	060-333266 .....	108
042N4191 .....	17	042N7510 .....	38	060-104766 .....	143	060-333266 .....	143
042N4191 .....	17	042N7512 .....	23	060-104766 .....	145	060-333266 .....	145
042N4192 .....	15	042N7512 .....	28	060-105566 .....	148	060-333366 .....	108
042N4192 .....	17	042N7512 .....	32	060-105566 .....	151	060-333366 .....	138
042N4193 .....	15	042N7512 .....	38	060-105566 .....	168	060-333366 .....	143
042N4193 .....	17	042N7550 .....	23	060-105666 .....	148	060-333366 .....	145
042N4400 .....	68	042N7550 .....	28	060-105666 .....	151	060-333666 .....	143
042N4401 .....	68	042N7550 .....	32	060-105666 .....	168	060-333666 .....	145
042N4402 .....	68	042N7550 .....	38	060-105766 .....	148	060-333866 .....	108
042N4403 .....	68	042N7551 .....	23	060-105766 .....	151	060-504766 .....	150
042N4404 .....	68	042N7551 .....	28	060-105966 .....	148	060-508166 .....	148
042N4406 .....	68	042N7551 .....	32	060-105966 .....	151	060-538666 .....	150
042N4407 .....	68	042N7551 .....	38	060-105966 .....	168	060-538766 .....	150
042N4408 .....	68	042U1000 .....	20	060-109766 .....	148	060G0005 .....	85
042N4409 .....	68	042U1001 .....	20	060-109766 .....	151	060G0005 .....	88
042N4411 .....	68	042U1003 .....	20	060-109766 .....	168	060G0005 .....	96
042N4430 .....	68	042U1004 .....	20	060-110866 .....	150	060G0005 .....	99
042N4431 .....	68	042U1006 .....	20	060-113366 .....	150	060G0005 .....	106
042N4432 .....	68	042U1007 .....	20	060-113766 .....	150	060G0007 .....	77
042N4433 .....	68	042U1009 .....	28	060-113866 .....	148	060G0007 .....	79
042N4435 .....	68	042U1009 .....	40	060-114466 .....	150	060G0007 .....	81
042N4436 .....	68	042U1010 .....	28	060-118966 .....	148	060G0007 .....	83
042N4450 .....	68	042U1010 .....	40	060-121766 .....	148	060G0007 .....	85
042N4451 .....	68	042U1037 .....	20	060-121966 .....	148	060G0007 .....	88
042N4452 .....	68	042U1038 .....	20	060-122166 .....	150	060G0007 .....	96
042N4453 .....	68	042U1039 .....	20	060-131866 .....	150	060G0007 .....	99
042N4454 .....	68	042U1040 .....	20	060-215966 .....	150	060G0007 .....	104
042N4455 .....	68	042U1041 .....	20	060-216066 .....	150	060G0007 .....	106
042N4456 .....	68	042U1042 .....	20	060-216166 .....	150	060G0008 .....	77
042N4457 .....	68	042U4001 .....	19	060-216266 .....	150	060G0008 .....	79
042N4459 .....	68	042U4003 .....	19	060-216366 .....	150	060G0008 .....	81
042N4480 .....	68	042U4011 .....	19	060-216466 .....	150	060G0008 .....	83
042N4481 .....	68	042U4012 .....	19	060-216566 .....	150	060G0008 .....	85
042N4482 .....	68	042U4013 .....	19	060-216666 .....	150	060G0008 .....	88
042N4483 .....	68	042U4014 .....	19	060-310066 .....	143	060G0008 .....	90
042N4484 .....	68	042U4022 .....	19	060-310166 .....	143	060G0008 .....	96
042N4485 .....	68	042U4023 .....	19	060-310266 .....	143	060G0008 .....	99
042N4486 .....	68	042U4024 .....	19	060-310366 .....	143	060G0008 .....	104
042N4820 .....	69	042U4031 .....	19	060-310466 .....	143	060G0008 .....	106
042N4821 .....	69	042U4032 .....	19	060-310566 .....	143	060G0252 .....	81
042N4822 .....	69	042U4041 .....	19	060-310666 .....	143	060G0252 .....	85
042N4823 .....	69	042U4042 .....	19	060-310766 .....	143	060G0252 .....	88
042N7501 .....	23	042U4053 .....	19	060-310866 .....	143	060G1021 .....	81
042N7501 .....	28	042U4063 .....	19	060-310966 .....	143	060G1021 .....	83
042N7501 .....	32	042U4074 .....	19	060-311066 .....	143	060G1021 .....	85
042N7501 .....	38	042U4082 .....	19	060-312066 .....	143	060G1021 .....	88
042N7502 .....	23	042U4084 .....	19	060-312166 .....	143	060G1022 .....	81
042N7502 .....	28	042U4085 .....	19	060-312266 .....	143	060G1022 .....	83
042N7502 .....	32	042U4086 .....	19	060-313066 .....	145	060G1022 .....	85
042N7502 .....	38	042U4087 .....	19	060-315066 .....	145	060G1022 .....	88
042N7504 .....	23	042U4088 .....	19	060-315166 .....	145	060G1023 .....	81
042N7504 .....	28	042U4089 .....	19	060-315266 .....	145	060G1023 .....	83
042N7504 .....	32	042U4092 .....	19	060-315366 .....	145	060G1023 .....	85
042N7504 .....	38	060-007166 .....	143	060-316066 .....	145	060G1023 .....	88
042N7508 .....	23	060-016966 .....	108	060-316166 .....	145	060G1024 .....	81

Code number .....	page	Code number .....	page	Code number .....	page	Code number .....	page
060G1024.....	83	060G1865.....	83	060L111366.....	167	060N1063.....	99
060G1024.....	85	060G1866.....	83	060L112166.....	167	060N1064.....	99
060G1024.....	88	060G1867.....	83	060L112566.....	167	060N1065.....	99
060G1034.....	77	060G1868.....	83	060L112666.....	167	060N1066.....	99
060G1034.....	79	060G1869.....	83	060L115566.....	167	060N1081.....	99
060G1034.....	81	060G1874.....	81	060L117166.....	167	060N1083.....	99
060G1034.....	83	060G1875.....	81	060L118466.....	167	060N1084.....	99
060G1034.....	85	060G1876.....	81	060L120066.....	167	060N1085.....	99
060G1034.....	88	060G1877.....	81	060L310066.....	164	060N1086.....	99
060G1034.....	90	060G2418.....	102	060L310166.....	164	060N1087.....	99
060G1034.....	96	060G2419.....	102	060L310266.....	164	061B000266.....	156
060G1034.....	99	060G2420.....	102	060L310366.....	164	061B000466.....	156
060G1105.....	77	060G2421.....	102	060L310466.....	164	061B000566.....	156
060G1106.....	77	060G2422.....	102	060L310566.....	164	061B001066.....	156
060G1107.....	77	060G2423.....	102	060L310666.....	164	061B6001.....	86
060G1109.....	77	060G2424.....	102	060L310866.....	164	061B6001.....	88
060G1110.....	77	060G2425.....	102	060L311266.....	164	061B6002.....	86
060G1111.....	77	060G2426.....	102	060L311866.....	164	061B6002.....	88
060G1112.....	77	060G2427.....	102	060L312166.....	164	061B6003.....	86
060G1113.....	77	060G2428.....	102	060L312666.....	164	061B6003.....	88
060G1122.....	77	060G2501.....	102	060L312866.....	164	061B6004.....	86
060G1123.....	77	060G2502.....	102	060L312966.....	164	061B6100.....	86
060G1124.....	77	060G2503.....	102	060L313066.....	164	061B6100.....	88
060G1125.....	77	060G2505.....	102	060L315666.....	164	061B7000.....	97
060G1133.....	77	060G2506.....	102	060L320666.....	165	061B7000.....	100
060G1151.....	79	060G2510.....	102	060L320666.....	171	061B7000.....	158
060G1153.....	79	060G2850.....	77	060L325466.....	165	061B7001.....	97
060G1154.....	79	060G2850.....	79	060L325466.....	171	061B7001.....	100
060G1367.....	85	060G2850.....	81	060L326266.....	165	061B7001.....	158
060G1368.....	85	060G2850.....	83	060L326266.....	171	061B7002.....	97
060G1369.....	85	060G2850.....	86	060L326366.....	165	061B7002.....	100
060G1370.....	85	060G2850.....	88	060L326366.....	171	061B7002.....	158
060G1371.....	85	060G2850.....	104	060L326666.....	165	061B7003.....	97
060G1372.....	85	060G2850.....	106	060L326666.....	171	061B7003.....	100
060G1411.....	79	060G2850.....	115	060L326766.....	165	061B7003.....	158
060G1429.....	77	060G3388.....	85	060L326766.....	171	061B7004.....	97
060G1430.....	77	060G3557.....	79	060L326866.....	165	061B7004.....	100
060G1463.....	85	060G3582.....	79	060L326866.....	171	061B7004.....	158
060G1464.....	85	060G3583.....	79	060L326966.....	165	061B7005.....	97
060G1465.....	85	060G3584.....	79	060L326966.....	171	061B7005.....	100
060G1466.....	85	060G3585.....	79	060L327166.....	165	061B7005.....	158
060G1467.....	85	060G3586.....	79	060L327166.....	171	061B7006.....	97
060G1468.....	85	060G3812.....	77	060L327366.....	165	061B7006.....	100
060G1469.....	85	060G3813.....	77	060L327366.....	171	061B7006.....	158
060G1470.....	85	060G3814.....	77	060L328166.....	165	061B7007.....	97
060G1471.....	85	060G3815.....	77	060L328166.....	171	061B7007.....	100
060G1472.....	85	060G3828.....	77	060L333066.....	162	061B7007.....	158
060G1473.....	85	060G3829.....	77	060L333066.....	168	061B7008.....	97
060G1474.....	88	060G3830.....	77	060L333166.....	168	061B7008.....	100
060G1475.....	88	060G3831.....	77	060L340366.....	165	061B7008.....	158
060G1476.....	88	060G3832.....	77	060L340366.....	171	061B7009.....	97
060G1477.....	88	060G3833.....	77	060N1032.....	96	061B7009.....	100
060G1650.....	77	060G3902.....	77	060N1033.....	96	061B7009.....	158
060G1778.....	83	060G5600.....	85	060N1034.....	96	061B7010.....	97
060G1779.....	83	060G5601.....	85	060N1035.....	96	061B7010.....	100
060G1790.....	83	060L036666.....	165	060N1036.....	96	061B7010.....	158
060G1791.....	83	060L036666.....	171	060N1037.....	96	061B7011.....	97
060G1861.....	83	060L110066.....	167	060N1038.....	96	061B7011.....	100
060G1862.....	83	060L110166.....	167	060N1039.....	96	061B7011.....	158
060G1863.....	83	060L111066.....	167	060N1040.....	96	061B7012.....	97
060G1864.....	83	060L111166.....	167	060N1041.....	96	061B7012.....	100

Code number .....	page	Code number .....	page	Code number .....	page	Code number .....	page
061B7012 .....	158	064G6532 .....	90	084Z4037 .....	115	084Z8212 .....	123
061B100266 .....	156	064G6533 .....	90	084Z4038 .....	115	084Z8213 .....	123
061B100366 .....	156	064G6542 .....	90	084Z4039 .....	115	084Z8214 .....	123
061B100466 .....	156	064G6543 .....	90	084Z5025 .....	127	084Z8215 .....	123
061B100566 .....	156	084G2100 .....	108	084Z5026 .....	127	084Z8216 .....	123
061B100866 .....	156	084G2101 .....	108	084Z5034 .....	127	084Z8217 .....	123
061B128066 .....	156	084G2102 .....	108	084Z5052 .....	125	084Z8218 .....	121
061B129066 .....	156	084G2103 .....	108	084Z5160 .....	127	084Z8230 .....	123
061B400101 .....	156	084G2104 .....	108	084Z5248 .....	125	084Z8231 .....	123
061B400201 .....	156	084G2105 .....	108	084Z5276 .....	125	084Z8232 .....	123
061B510066 .....	156	084G2106 .....	108	084Z5277 .....	125	084Z8233 .....	123
061B510166 .....	156	084G2107 .....	108	084Z6030 .....	117	084Z8234 .....	123
061B510266 .....	156	084G2108 .....	108	084Z6032 .....	117	084Z8235 .....	123
061B720001 .....	97	084G2109 .....	108	084Z6033 .....	117	084Z8236 .....	123
061B720001 .....	100	084G2110 .....	108	084Z6034 .....	117	084Z8237 .....	123
061B720001 .....	158	084G2111 .....	108	084Z6035 .....	117		
061B720101 .....	97	084G2112 .....	108	084Z6036 .....	117		
061B720101 .....	100	084G2113 .....	108	084Z6037 .....	117		
061B720101 .....	158	084G2114 .....	108	084Z6038 .....	117		
061B720201 .....	97	084G2115 .....	108	084Z6039 .....	117		
061B720201 .....	100	084G2116 .....	108	084Z6042 .....	117		
061B720201 .....	158	084G2117 .....	108	084Z6050 .....	117		
061B722101 .....	156	084G2118 .....	108	084Z6051 .....	117		
061B800266 .....	171	084G2120 .....	108	084Z6053 .....	117		
061B800366 .....	171	084G2206 .....	108	084Z6054 .....	117		
061B800466 .....	171	084G2207 .....	108	084Z6139 .....	123		
061B800566 .....	171	084G2209 .....	108	084Z6140 .....	123		
061B810166 .....	171	084G2211 .....	108	084Z6141 .....	123		
061B810266 .....	171	084G2213 .....	108	084Z6142 .....	123		
061B810366 .....	171	084Z2012 .....	113	084Z6143 .....	123		
061B810466 .....	171	084Z2014 .....	113	084Z6144 .....	123		
061B810566 .....	171	084Z2018 .....	113	084Z6145 .....	123		
063G1068 .....	92	084Z2019 .....	113	084Z6164 .....	123		
063G1123 .....	92	084Z2021 .....	113	084Z6215 .....	117		
063G1125 .....	92	084Z2446 .....	119	084Z6216 .....	117		
063G1133 .....	92	084Z2447 .....	119	084Z7258 .....	115		
063G1159 .....	92	084Z2448 .....	119	084Z7259 .....	115		
063G1218 .....	92	084Z2449 .....	119	084Z7260 .....	115		
063G1229 .....	92	084Z2450 .....	119	084Z7261 .....	115		
063G1407 .....	92	084Z2451 .....	119	084Z7262 .....	115		
063G1410 .....	92	084Z2452 .....	119	084Z8006 .....	121		
063G1632 .....	92	084Z2453 .....	119	084Z8008 .....	121		
064G5201 .....	106	084Z2454 .....	119	084Z8010 .....	121		
064G5202 .....	106	084Z2455 .....	119	084Z8011 .....	121		
064G5207 .....	106	084Z2456 .....	119	084Z8012 .....	121		
064G5214 .....	104	084Z2457 .....	119	084Z8013 .....	121		
064G5215 .....	104	084Z2458 .....	119	084Z8014 .....	121		
064G5216 .....	104	084Z2459 .....	119	084Z8022 .....	121		
064G5218 .....	104	084Z2460 .....	119	084Z8036 .....	121		
064G5219 .....	106	084Z2461 .....	119	084Z8037 .....	121		
064G5221 .....	106	084Z3257 .....	127	084Z8039 .....	121		
064G5222 .....	104	084Z3260 .....	127	084Z8041 .....	121		
064G5224 .....	106	084Z3261 .....	127	084Z8043 .....	121		
064G5225 .....	104	084Z3262 .....	127	084Z8044 .....	121		
064G5226 .....	106	084Z4030 .....	115	084Z8058 .....	121		
064G5228 .....	106	084Z4031 .....	115	084Z8150 .....	127		
064G6501 .....	90	084Z4032 .....	115	084Z8154 .....	127		
064G6502 .....	90	084Z4033 .....	115	084Z8155 .....	127		
064G6504 .....	90	084Z4034 .....	115	084Z8156 .....	127		
064G6511 .....	90	084Z4035 .....	115	084Z8210 .....	123		
064G6523 .....	90	084Z4036 .....	115	084Z8211 .....	123		

# ENGINEERING TOMORROW

**Danfoss Industries Pvt. Ltd.** | Plot No. A-19/2, Sipcot industrial Growth Centre, Oragadam Village, Sriperambudur Taluk, Kancheepuram District - 602105, India | [danfoss.india@danfoss.com](mailto:danfoss.india@danfoss.com) | [ia.danfoss.in](http://ia.danfoss.in)  
Customer Service Center No: 0008001009289



Danfoss is a leading global player within the development and production of mechanical and electronic products and controls. Since 1933, our extensive know-how has made modern life easier and we continue to break new ground within our core business areas.

Every day, more than 250,000 items are produced at 70 factories in 25 countries. Impressive as these figures are, we are most proud of the way our dedicated employees apply the high-quality components in customer solutions, adding value to the end products. Building strong partnerships is of great importance to us, because it is purely by understanding our customers' needs that we can meet the expectations of tomorrow.

This is also true in Industrial Automation, a Danfoss entity dedicated to focusing on the industrial world of today. Through us, you gain access to the entire Danfoss pool of technologies, with special emphasis on sensors and controls.

**We offer safer, more reliable and more efficient solutions in a close cooperation based on firm values.**